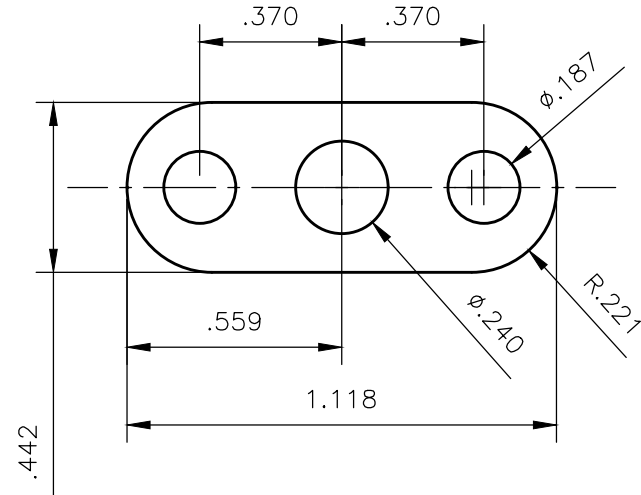


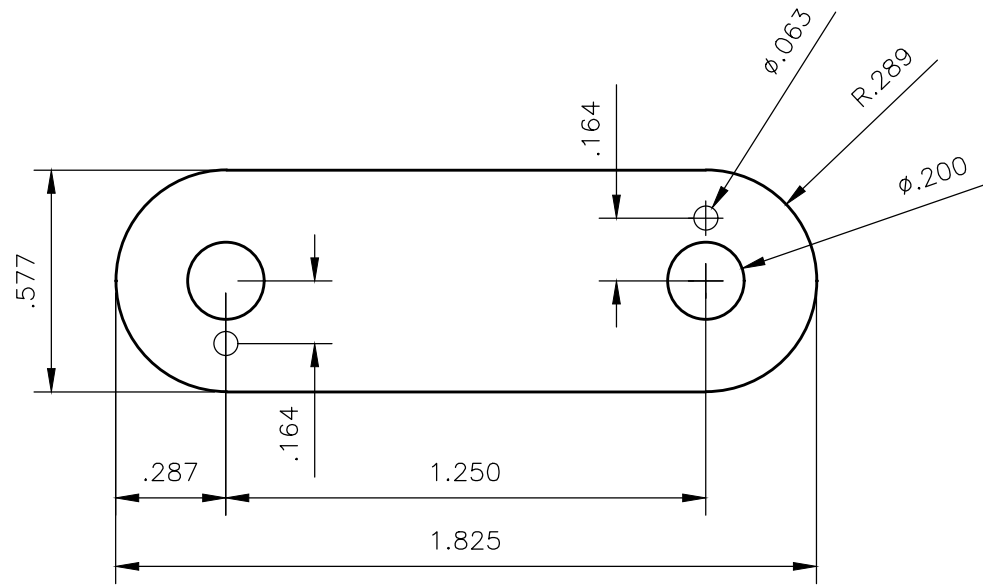
Additional Parts Req'd

Twenty Eight (28x) Binding Posts,  
TM-175

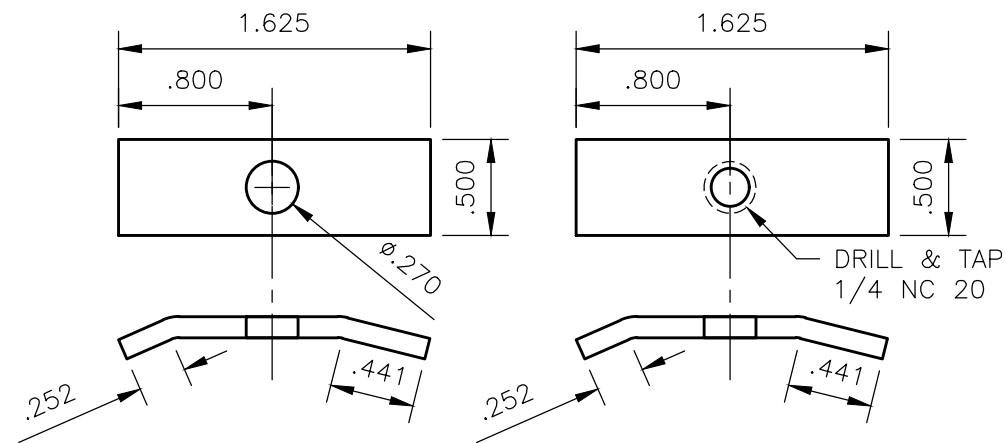
Two (2x) Thumb Screw, Spade,  
1/4-NC-20 x 1-1/4



Mounting Plate, Silver-plated Brass, 0.10 Thk. (2x scale)  
Eight (8x) Req'd

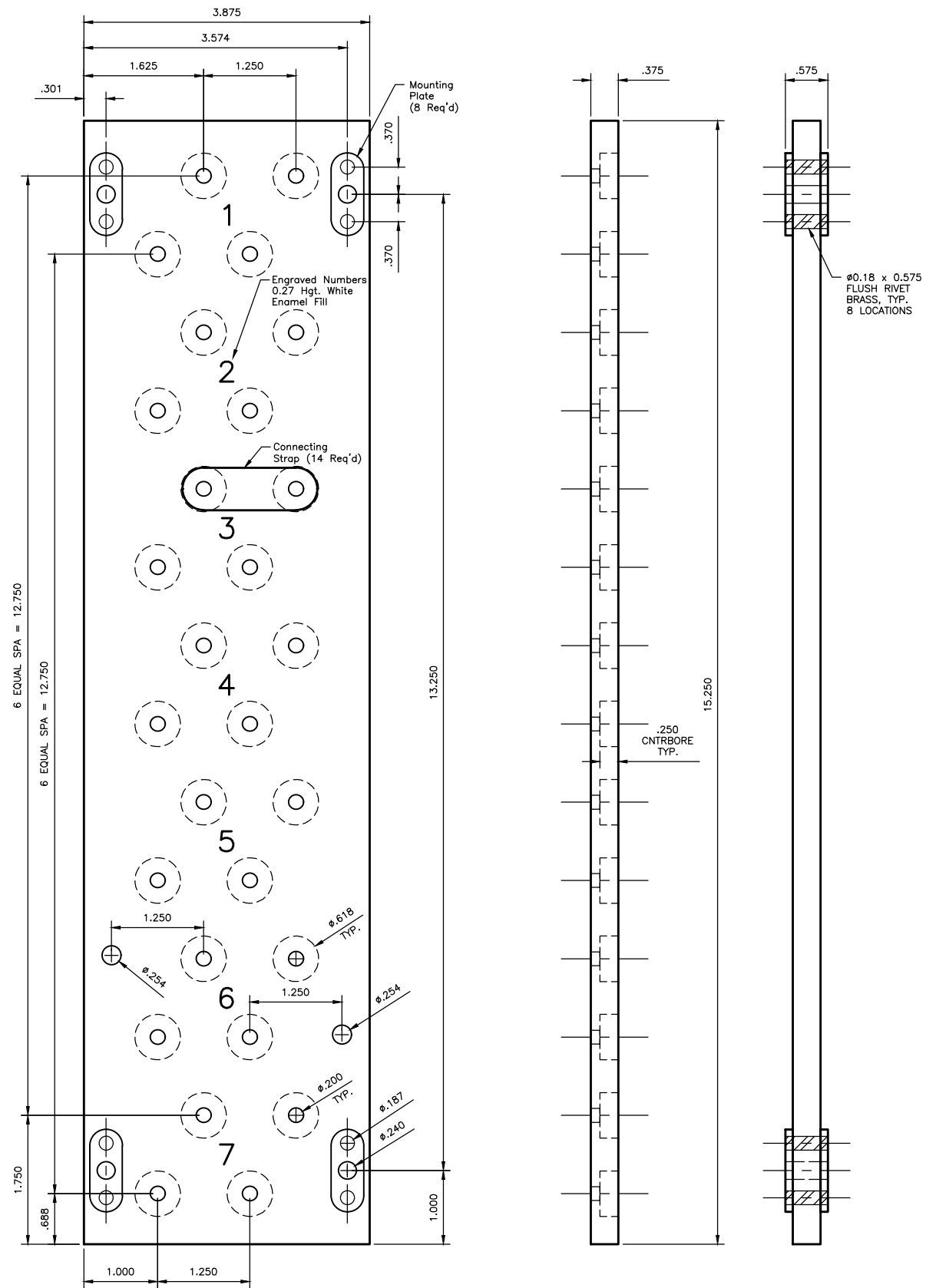


Connecting Strap, Silver-plated Brass, 0.033 Thk. (2x scale)  
Fourteen (14x) Req'd

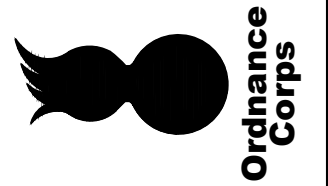


Upper Cable Clamp,  
0.11 Thk. (Full scale)  
Two (2x) Req'd

Lower Cable Clamp,  
0.11 Thk. (Full scale)  
Two (2x) Req'd



Terminal Board - TM-184 conversion (1/2 scale)  
3/8 Inch Thk Black Phenolic Board (Bakelite)



**SERVICE & SUPPLY**  
**Reproduction Items**



This drawing is protected by US copyright law, and may NOT be reproduced without express written permission from Kirk Gustafson.  
(c) 2003 - 2019

Model Symbol(s)  
Terminal Board TM-184  
Item Stock Number(s)

Ordnance Part Number(s)

Manufacturer Part Number(s)

Drawing Number  
TM-184 - 001

© Copyright 2008, G506.com - Do NOT copy!