

National Park Service
U.S. Department of the Interior

Media Services
Harpers Ferry Center



Historic Furnishings Report

Golden Gate National Recreation Area
San Francisco, California

Fort Cronkhite: Barracks (Building 1059) and
Mess Hall (Building 1049)



APPROVED:

Diane Nicholson

Curator, Golden Gate National Recreation Area

January 4, 2005

Historic Furnishings Report

Fort Cronkhite:
Barracks (Building 1059) and
Mess Hall (Building 1049)

Golden Gate National Recreation Area
San Francisco, California

By William L. Brown III
Staff Curator
Media Services
Harpers Ferry Center
National Park Service

and

Walter H. Bradford
Museum Curator
National Museum of the United States Army
United States Army Center of Military History

2005

Contents

Acknowledgments	5
<hr/>	
Administrative Information	7
<i>Interpretive Objectives</i>	10
<i>Operating Plan</i>	10
<i>Prior Planning Documents</i>	12
<hr/>	
Historical Information	13
A Note on Sources	15
Analysis of Historic Occupancy	16
<i>History of Extant Structures</i>	16
Building 1059 – Enlisted Barracks	16
Building 1049 – Enlisted Mess Hall	18
<i>History of Military Occupancy</i>	19
Ninth Coast Artillery District	19
Harbor Defenses of San Francisco	19
6 th Coast Artillery	20
56 th Coast Artillery	21
Evidence of Original Furnishings	23
<i>Official Documentation</i>	23
Army Supply	23
Clothing and Individual Equipment	25
Organizational Equipment	52
Station Property—Barracks	59
Station Property—Mess Hall	71
<i>Photographic Evidence of Barracks Interiors</i>	90
<i>Photographic Evidence of Mess Hall Interiors</i>	103
<hr/>	
Furnishings Plan	111
Recommended Furnishings: Building 1059 – Barracks	113
<i>Squad Room</i>	113
<i>Non-Commissioned Officer’s Room</i>	119
<i>Exhibit Room</i>	120
<i>Latrine and Shower Room</i>	120

Recommended Furnishings: Building 1049 – Mess Hall	121
<i>Dining Room</i>	121
<i>Kitchen Area</i>	123
<hr/>	
Glossary	127
<hr/>	
List of Illustrations	131
<hr/>	
Appendix: “Specifications for iron bedsteads, single,” Quartermaster Manual, June 22, 1910	137
<hr/>	
Bibliography	143

Acknowledgments

William Brown thanks Diane Nicholson and John Martini at Golden Gate National Recreation Area and his colleagues in the Historic Furnishings Division, especially Carol Petravage, without whose help this report would not have seen the light of day.

Walter Bradford thanks the staff of the U.S. Army Institute of Heraldry and the staff of the U.S. Army Center of Military History, especially the Force Structure and Unit History Branch.

Administrative Information

Administrative Information

Golden Gate National Recreation Area was established by Congress on October 27, 1972 and includes “shoreline areas of San Francisco, Marin, and San Mateo Counties, including . . . military properties, a cultural center at Fort Mason, and Alcatraz Island.”¹ Fort Cronkhite “has been placed in its entirety on the National Register of Historic Places.”²

The U.S. Government began building Fort Cronkhite, in the Marin Headlands, in 1938 as a Coast Artillery Corps site.

Fort Cronkhite was strategically important to the World War II defenses of San Francisco Bay. Battery Townsley’s huge 16-inch guns protected the northern approaches to the Golden Gate from a naval attack. The antiaircraft guns likewise protected San Francisco from a northern attack. When the traditional coastal defenses became obsolete, Fort Cronkhite continued to play an important defense role as the home for Nike missile batteries.³

The government constructed mobilization buildings at Fort Cronkhite in 1941 to accommodate the soldiers to be stationed there.⁴ Many of these “temporary” structures survive today. Although the eastern half of the 1941 structures was remodeled to house Nike personnel, the western portion “retains

its character as a World War II army post.”⁵ The structures include administration buildings, recreation buildings, mess halls, and barracks.

The government built more than 30,000 of these temporary structures between 1940 and 1944, to house nearly six million troops. As late as 1985, nearly 24,000 of these “temporary” structures were still standing. However, the Army continues to tear these buildings down rapidly.

This report makes recommendations for historic furnishings in the Enlisted Men’s Barracks, Building 1059, and the Mess Hall, Building 1049. These types of structures are well documented in a joint study by the Historic American Buildings Survey/Historic American Engineering Record and the U.S. Department of Defense, *World War II and the U.S. Army Mobilization Program: A History of 700- and 800-Series Cantonment Construction*.⁶

The initial evidence for historic furnishings for these buildings is based on information collected about Battery E, 6th Coast Artillery and the 56th Coast Artillery, both of which saw service at Fort Cronkhite during the war. *The Historical and Pictorial Review of the Defenses of San Francisco*, a yearbook published in 1941, has a photographic roster of both Battery E and the entire 56th Regiment. A booklet printed for Christmas 1941 includes many photographs of Fort Cronkhite and also a complete roster of Battery E. Some of the soldiers who were stationed at Ft. Cronkhite survive and have donated photographs,

1 *The National Parks: Index 2001-2003*. Washington, DC: U.S. Department of the Interior, 27.

2 Erwin N. Thompson, *Historic Resource Study: Forts Baker, Barry, Cronkhite of Golden Gate National Recreation Area, California* (Denver: NPS, n.d.), 124.

3 *Ibid.*, 127.

4 *Ibid.*, 117.

5 *Ibid.*, 120.

6 *Ibid.*, 33-75, 83, and 147-57.

letters and various mementos. Fortunately, some oral history has also been collected.

The subsequent evidence is the official documentation of U.S. Army clothing, equipment, weapons, and furnishings of 1941–42. Photographic evidence from similar installations can also be relied on to accurately reflect conditions at Ft. Cronkhite during the war years. The combination of this site specific official and more general evidence allows for a very accurate historic furnishing of the barracks and mess hall at Ft. Cronkhite.

Interpretive Objectives

The draft *Long Range Interpretive Plan* (March 2001) states that “Fort Cronkhite preserves the largest complex of World War II Mobilization structures in the country [and that] the post was an integral part of the coastal defense system in the Bay area.” The interpretive themes are as follows:

- During World War II, Fort Cronkhite was the assigned station of the 56th Coast Artillery.
- The troops and fortifications of Fort Cronkhite were an integral part of the harbor defenses of San Francisco.

The *Long Range Interpretive Plan* goes on to state that “visitors to Fort Cronkhite will be able to learn of the significance of the site in preserving these World War II Mobilization structures, get glimpses of soldier life at the post during World War II, and discover connections with other coastal defense sites throughout the Bay area.”⁷

To accomplish these objectives, the Enlisted Men’s Barracks, Building 1059, and the Mess Hall, Building 1049, will be furnished to reflect the period July 1, 1941, to June 30, 1942. This was a time of active mobilization and employment of coastal defenses. Based on physical evidence

⁷ *Long Range Interpretive Plan*, Golden Gate National Parks, Team Draft, March 2001, 39.

at the site, the park has determined that the 56th Coast Artillery occupied building 1059.

Operating Plan

As of 2004, the visitor hours and level of staffing at Fort Cronkhite have not been determined. If required, the enlisted men’s barracks and the mess hall could be open to visitors but not staffed by park personnel. A single ranger could rove the site. However, during special events uniformed volunteers should be stationed in all structures.

This plan recommends that Building 1059 contain one exhibit room and three historically furnished areas. (See figure one, next page.) The front door is in the east wall. On the first floor, two small rooms flank the small entrance hallway. Used as quarters for noncommissioned officers, each room could house two sergeants. However, generally the senior noncommissioned officer of the battery, known as the “first sergeant,” would have had one of the rooms for himself. This furnishings plan recommends that the southeast room be furnished as the first sergeant’s quarters, protected by a glass barrier door. Since first sergeants were allowed extra privileges and were not subject to routine inspections, their quarters can be furnished with far more personal objects than would have been allowed in the barracks squad bay.

The northeast room will be used for exhibit space consisting of wall panels with text and photographs. The visitor will be able to freely enter this space. These exhibits will explain the role of the Coast Artillery Corps and its personnel in the Harbor Defenses of San Francisco. These exhibits will also provide interpretation for the historically furnished spaces in the building.

After passing these two rooms the visitor enters the squad bay/room. From 19 to 23 enlisted men lived in the squad room. This plan recommends installing all of the cots and footlockers; however, only the first space on the right will be fully furnished, containing a

Official Designation: 63 Man Barracks, Series 700

Date of Construction/Completion: Spring 1941

Total Cost: \$10,728.10

Dimensions: 80' x 29'6"

Area: 4,720 sq. ft.

Heating: Two gas heaters. Forced air.

Barracks Capacity: 63 enlisted men in single bunks
80+ men in double bunks

Total Capacity, Ft. Cronkhite: 2,202 enlisted men

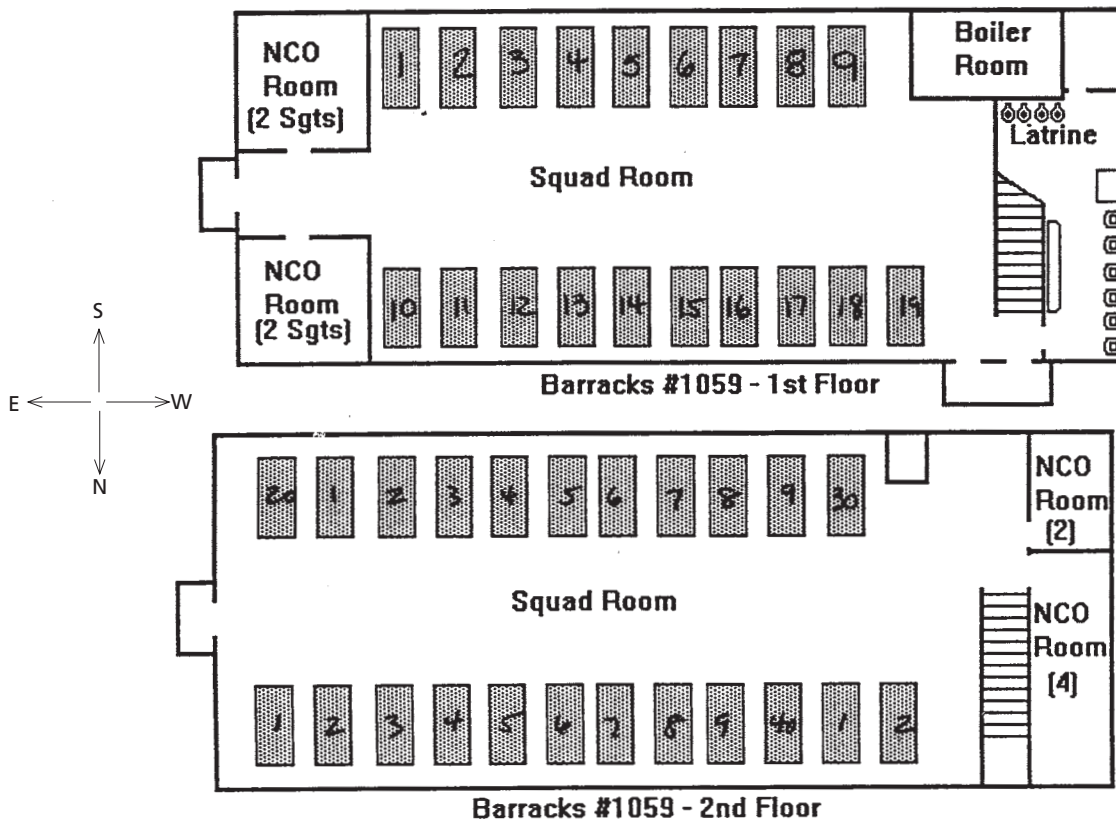


Figure 1: Fact Sheet, Barracks No. 1059

complete bunk, open footlocker, and a “built-in” shelf with clothing. A floor-to-ceiling glass wall will enclose this space to protect the original objects. A mannequin of a soldier standing by his bunk, or a full-sized photographic enlargement of a soldier ready for inspection, could be included in this furnished space. Although it is not cost-effective to furnish all identical bunks, if funds are available, more bunks could be fully furnished. However, one of the other bunks should be shown unoccupied with only a mattress.

At the far end of the room are two bulletin boards mounted side by side on the west wall. To the left of the bulletin boards an arm rack will be outfitted with reproduction weapons. The latrine at the western end of the barracks will be furnished as well, with a protective glass panel installed in the doorway to allow visitors to view the room without entering it.

The second floor of the barracks will not be furnished because it is not handicapped accessible and would simply mirror the first floor. A barrier will prevent visitors from going upstairs. Visitors may exit the barracks by the same door through which they entered, although the side door could be used on special occasions. For security reasons, visitors should generally enter and exit by the front door.

This plan also recommends that Building 1049 be furnished to address both the dining area and the kitchen area of the mess hall. (See figure 4, p. 18.)

Visitors will enter and exit this building by the side door, as soldiers did for their meals. The mess hall dining area will be furnished with reproduction tables. One table can be set up completely, with a Plexiglas barrier over the entire table to protect the objects. Visitors will view the kitchen area by looking over the serving counter. This will be furnished with pots, cutlery, and utensils as required. The two serving windows will need to be secured with Plexiglas. All the barriers will be constructed so that during special events they can be removed and stored in the back of the kitchen.

According to the *Long Range Interpretive Plan*, “this will allow the space to be used by visitors and/or school groups for eating their lunches. In addition, this, or another, building will be used for education programs, interpretive talks and demonstrations, and for showing theme-related films.”⁸

Prior Planning Documents

Golden Gate National Recreation Area/Point Reyes National Seashore General Management Plan and Environmental Analysis, September 1980.

Thompson, Erwin N. *Historic Resource Study: Forts Baker, Barry, Cronkhite of Golden Gate National Recreation Area, California*. Denver, Co.: Denver Service Center, November 1979.

Long Range Interpretive Plan, Golden Gate National Parks, team draft. Prepared by Interpretive Planning, Harpers Ferry Center, March 2001.

8 *Long Range Interpretive Plan*, March 2001, 39-40.

Historical Information

A Note on Sources

This study is based upon three main sources of information:

15

1. The Manuals and Specifications published by the War Department for the period, all of which are detailed in the bibliography;
2. A detailed examination of photographs of barracks, mess halls, and kitchen interiors taken during the period 1938–42; and
3. A study undertaken by the Historic American Building Survey/Historic American Engineering Record and the Department of Defense, entitled *World War II and the U.S. Army Mobilization Program: A History of 700- and 800-Series Cantonment Construction*.

Analysis of Historic Occupancy

16 History of Extant Structures

Building 1059 – Enlisted Barracks

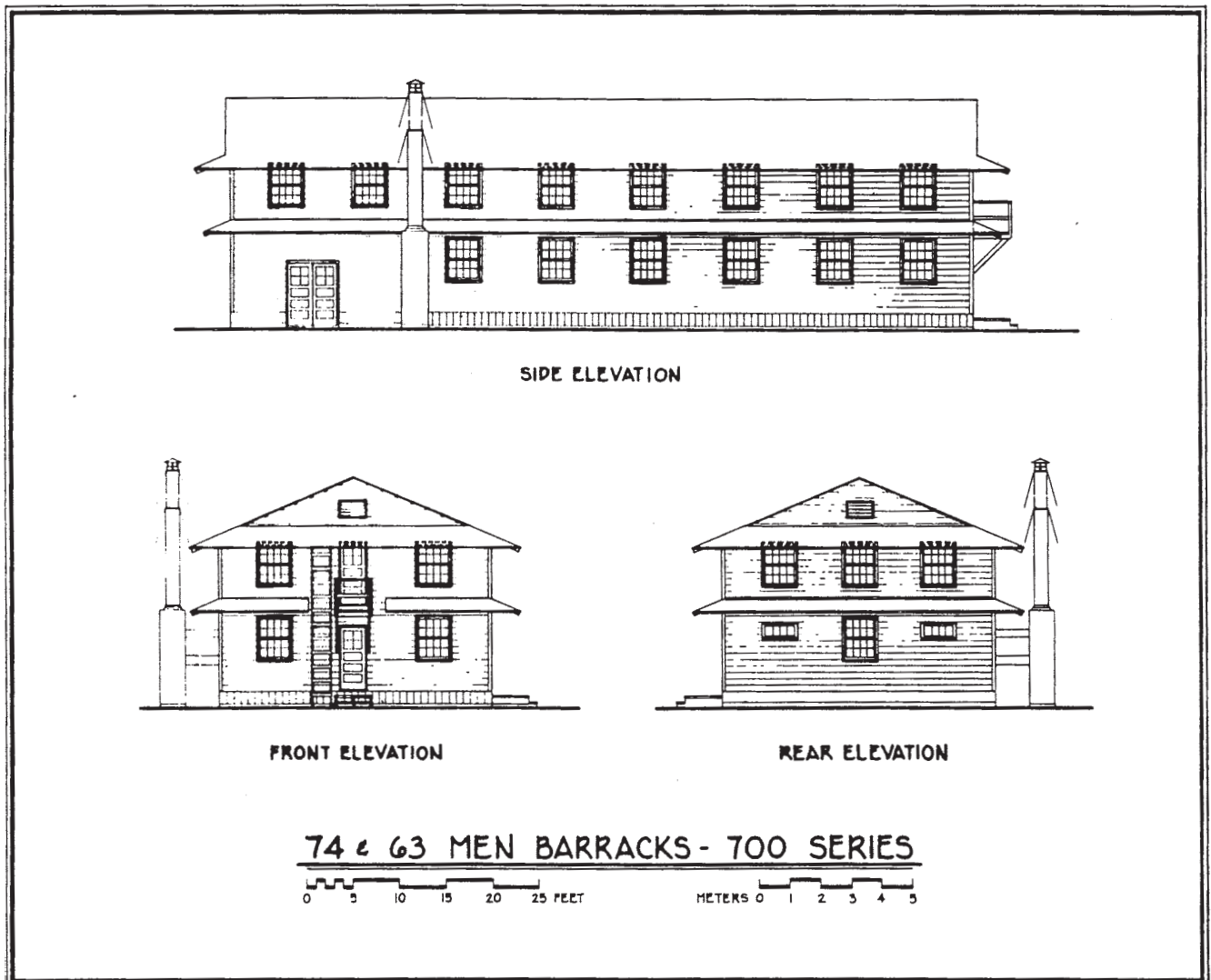


Figure 2: Elevations of 74 & 63 Men Barracks – 700 Series. *World War II and the U.S. Army Mobilization Program: A History of 700- and 800-Series Cantonment Construction.*, p. 34.

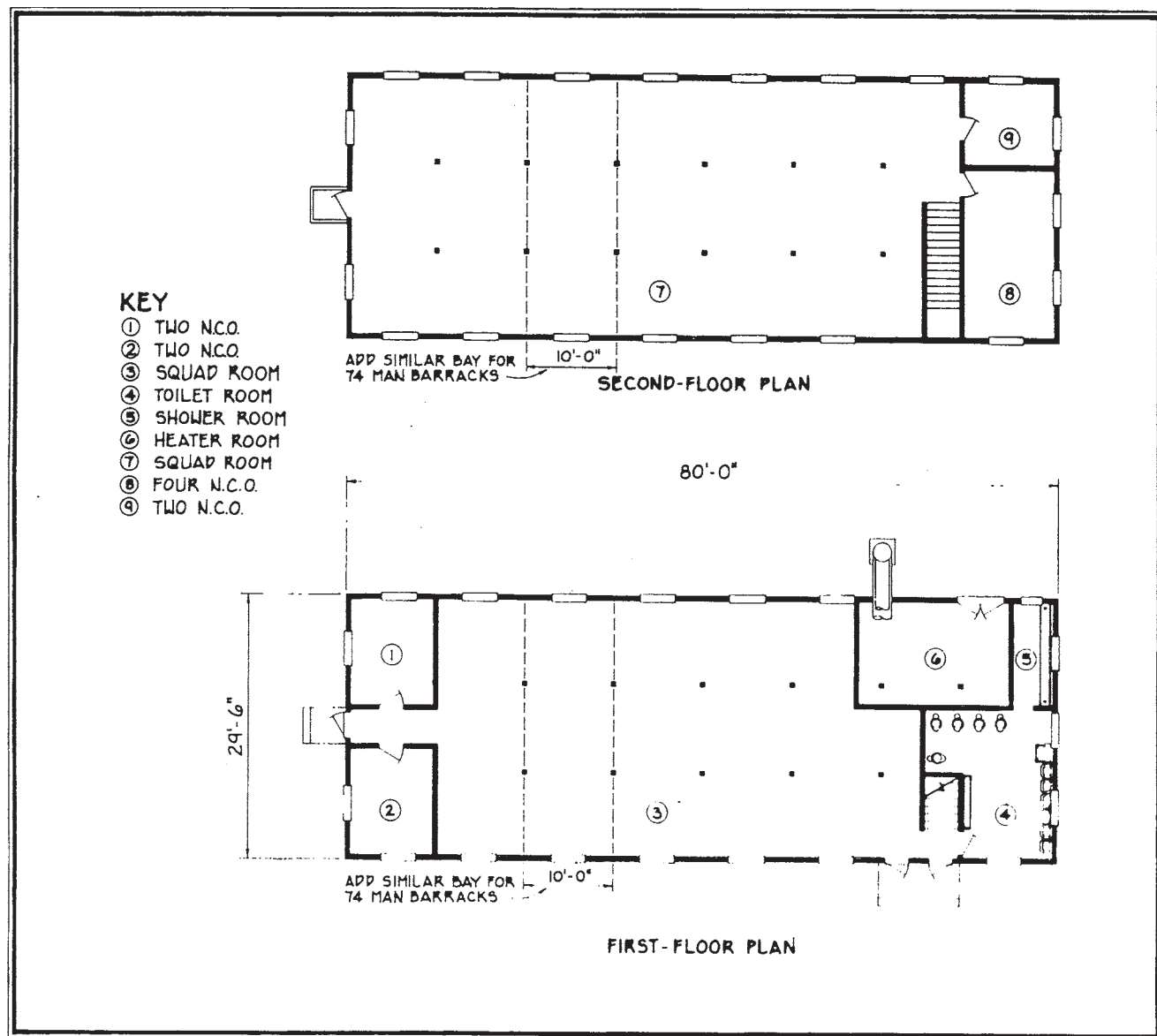


Figure 3: Floor plans of 74 & 63 Men Barracks – 700 Series. *World War II and the U.S. Army Mobilization Program: A History of 700- and 800-Series Cantonment Construction.* p. 33.

Building 1059 is a Quartermaster 700-Series barracks designed to house 63 men in single bunks. It was completed in spring of 1941 for a total cost of \$10,728.10. It is 80 feet by 29-1/2 feet in size and has a total area of 4,720 square feet. The barracks was equipped with two gas forced air heaters. The total barracks capacity at Ft. Cronkhite was 2,202 enlisted men. Graffiti dated July 1941 found in the barracks' boiler room lists a number of soldiers' names, including the names of at least two men known to be members of the 56th Coast Artillery.⁹

9 Letter from General Superintendent, Golden Gate, to Chief, Division of Historic Furnishings, HFC, undated (ca. 3/2/2000). The 1941 publication *Historical and Pictorial Review of the Defenses of San Francisco* identified these men as members of the 56th Coast Artillery.

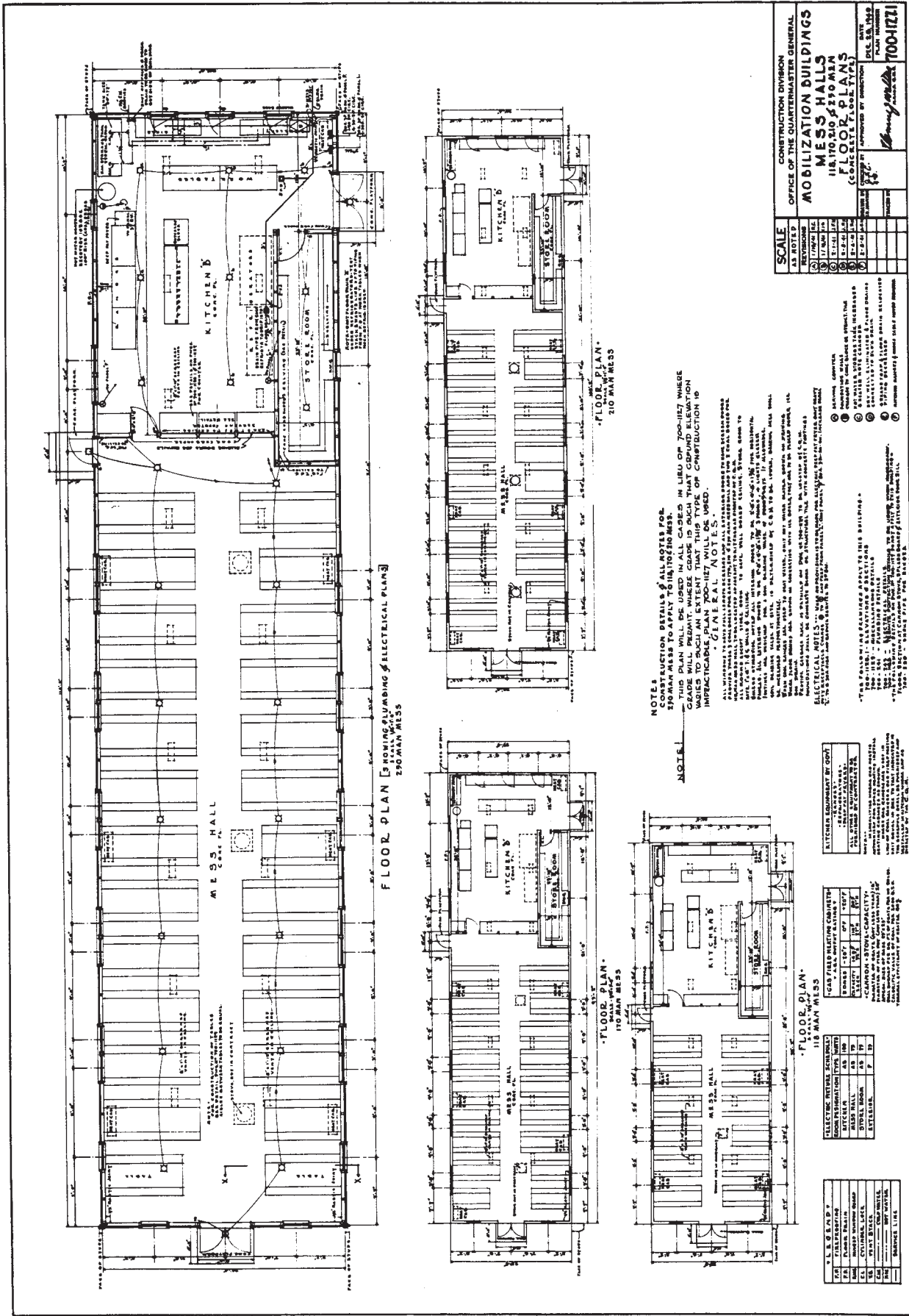


Figure 4: Floor plan for 700-Series Mess Hall, from the original contract specifications. From *World War II and the U.S. Army Mobilization Program: A History of 700- and 800-Series Cantonment Construction*, p. 417. Building 1049 is a Quartermaster 700-Series Mess Hall designed to serve 170 men. It is divided into the dining area and the kitchen area. The mobilization mess hall plan includes “built-in” mess tables with seating, which were part of the original construction contract.

History of Military Occupancy

During 1941-42, Fort Cronkhite was a station of the Harbor Defenses (HD) of San Francisco in the Ninth Coast Artillery District. This study will discuss two troop units of that command, the 6th Coast Artillery and the 56th Coast Artillery.

Ninth Coast Artillery District

Organized within the IX Corps Area (Washington, Oregon, California, New Mexico, Utah and Arizona), under the National Defense Act of 1920, the Ninth Coast Artillery District was responsible for defense of the west coast. Mobilization for World War II redesignated it the Pacific Coastal Frontier, Fourth Army, on 20 Jan 42, a part of the new Western Defense Command. When the wartime crisis passed, the command disbanded, 26 Oct 44.

Approved for Ninth Coast Artillery District, 12 Jul 41, and for Pacific Coastal Frontier, 6 Apr 42, was a shoulder sleeve insignia (figure 5) as follows:

On a 2-3/8-inch, nine-pointed yellow star, one point up and pierced by a 1-inch circle, a 1-3/4-inch by 3/8-inch red projectile, point up, all on a 2-5/8-inch circular olive drab background.

Harbor Defenses of San Francisco

The Harbor Defenses of San Francisco, Ninth Coast Artillery District, were organized in 1941, as follows:

Troop Units

Headquarters

HQ Battery

6th Coast Artillery (HD)(Type C)

2nd Battalion, 18th Coast Artillery (HD)(Type B)

56th Coast Artillery (155-mm Gun)

(Tractor-Drawn)

U.S. Army Mine Planters

Stations

Ft. Baker

Ft. Barry

Ft. Cronkhite

Ft. Funston

Ft. Miley

Ft. Winfield Scott¹⁰



Figure 5: Shoulder sleeve insignia. U.S. Army Institute of Heraldry.

10 AR 90-30, *Coast Artillery Districts*, 18 Sep 25.
Directory of AUS and WD Activities, 1 Jul 41.
Directory of AUS and WD Activities, 15 May 42.
1Ind AG to QMG 12 Jul 41 Subj: Ninth Coast Artillery District SSI
1Ind SOS to QMG 25 Mar 42 Subj: Pacific Coastal Frontier SSI
The Officer's Guide (Harrisburg: Mil Service Pub, 1941), 47.

6th Coast Artillery

Constituted 6th Regiment of Artillery in 1898, the 6th Coast Artillery (HD) (Type C) was activated at Fort Winfield Scott in 1939. With the expansion of the Army, the 1st Battalion added the 2nd Battalion that same year. By 1941, the regiment included the 3rd and 4th Battalions, both to be stationed at Fort Funston. Reorganized in 1942, it continued as a Harbor Defense regiment but soon lost elements to newly organized separate battalions. Disbanded at Fort Baker in 1944, its lineage lives on, with the 6th Air Defense Artillery serving proudly today.

The 6th Coast Artillery was a harbor defense (HD) (Type C) regiment (fixed guns) organized in 1941, as follows:

Regimental HQ and Band

HQ Battery

- HQ section
- Operations platoon
- Communications platoon
- Supply platoon
- Maintenance section

1st Battalion

- HQ section
- HQ Battery
 - HQ section
 - Operations section
 - Communication section
 - Maintenance section
- (3) Batteries (A-C)
 - Headquarters
 - HQ section
 - Range section
 - Communication section
 - Firing section
 - (2) Gun sections
 - XO detail
 - Maintenance section

2nd Battalion

- HQ section
- HQ Battery
- (3) Batteries (D-F)

3rd Battalion

- HQ section
- HQ Battery
- (3) Batteries (G-I)

4th Battalion

- HQ section
- HQ Battery
- (3) Batteries (K-M)
- Searchlight battery (N)
 - HQ section
 - Seacoast platoon
 - Headquarters
 - (4) Searchlight sections
 - HQ section
 - (2) Searchlight squads
 - Antiaircraft platoon
 - Headquarters
 - (5) Searchlight sections
 - Sound locator squad
 - Searchlight squad
- Maintenance section

Approved for the 6th Coast Artillery on 20 May 24, was a distinctive unit insignia (figure 6), in bright metal, 1-1/4 inches high, as follows:

On a red ribbon scroll bearing “Gerto Dirigo Ictu” (I Aim with a Sure Blow) in gold, a grizzly bear (from Coast Defenses of San Francisco) passant, black with a red tongue.¹¹

11 T/O 4-65 *Coast Artillery Battalion (HD) Types A/B/C*, 1 Nov 40.
T/O 4-66 *Coast Artillery BN, (HD)*, 1 Nov 40
T/O 4-67 *Coast Artillery Battery, Harbor Defense*, 1 Nov 40.
T/O 4-68 *Coast Artillery Searchlight Battery (HD)*, 1 Nov 40.
T/O 4-81 *Coast Artillery Regiment (HD) Type C*, 1 Nov 40.
T/O 4-82 *Coast Artillery Regt HHB (HD) Type C*, 1 Nov 40.
AGO Form 616, Historical Data Card, 6th Air Defense Artillery.
Ltr, TAG to QMG, 20 May 24, Subj: 6th Coast Artillery DUI.
Janice E. McKenney, *Air Defense Artillery* (Wash: GPO 1985), 121.



Figure 6: Unit insignia. U.S. Army Institute of Heraldry.

56th Coast Artillery

Constituted 506th Artillery (AA) in 1921, the 56th Coast Artillery (155-mm Gun) was activated at Fort Cronkhite in 1941. During Feb–May 42, it served (- 2nd Battalion) at Fort Barry, while sending detachment of guns and personnel to South America. Returning the Headquarters, 1st Battalion (- Battery A) and 1st Platoon (- 1 section) of Battery G (Searchlight) back to Fort Cronkhite, the regiment reorganized and began a series of moves. Disbanded at Camp Cooke in 1944, its lineage lives on, with the 56th Air Defense Artillery serving proudly today.

The 56th Coast Artillery was a tractor-drawn (TD) 155-mm Gun mobile regiment, organized in 1941 as follows:

Regimental HQ and Band

HQ Battery

HQ section

Operations platoon

Communications platoon

Supply platoon

Headquarters

(3) Battalion sections

Maintenance section

1st Battalion

HQ section

HQ Battery

HQ section

Operations section

Communication section

Maintenance section

Ammunition Train

Headquarters

(2) Sections

(2) Batteries (A-B)

HQ section

Operations section

Command post detail

Communication detail

Reconnaissance detail

Firing battery

(2) Gun platoons

(2) Gun sections

Platoon detail

Machine gun detail

Maintenance section

2nd Battalion

HQ section

HQ Battery

Ammunition train

(2) Batteries (C-D)

3rd Battalion

HQ section

HQ Battery

Ammunition train

(2) Batteries (E-F)

Searchlight Battery (G)

HQ section

(3) Searchlight platoons

Headquarters

(2) Searchlight sections

Headquarters

(2) Searchlight squads

Maintenance section

Approved for 56th Coast Artillery (506th Coast Artillery) 12 Mar 29, was a distinctive unit insignia (figure 7), in bright metal, 1-1/4 inches high, as follows:

Shield gules (red), four searchlight beams radiant from middle base or (gold) on chief sable (black) a winged projectile of the second (gold), with “Night Hides Not” in black.¹²



Figure 7: Unit insignia. U.S. Army Institute of Heraldry.

12 T/O 4-31 *Coast Artillery Regiment 155-mm Gun*, 1 Nov 40.
T/O 4-32 *Coast Artillery HHB Regiment 155-mm Gun*, 1 Nov 40.
T/O 4-35 *Coast Artillery Battallion, 155-mm Gun*, 1 Nov 40.
T/O 4-36 *Coast Artillery HHB & Ammunition Train Battalion 155-mm*, 1 Nov 40.
T/O 4-37 *Coast Artillery Battery 155-mm Tractor-Drawn*, 1 Nov 40.
T/O 4-38 *Coast Artillery Battery Searchlight Regiment 155-mm*, 1 Nov 40.
AGO Form 616, Historical Data Card, 6th Air Defense Artillery.
Ltr, TAG to QMG, 30 Oct 41, Subj: 56th Coast Artillery DUI.
Janice E. McKenney, *Air Defense Artillery* (Wash: GPO 1985), 235.

Evidence of Original Furnishings

Historical evidence available to furnish the selected QM 700-series mobilization barracks and mess hall at Fort Cronkhite is quite generous. Although there is limited specific information concerning the original occupants and contents of these buildings, there is considerable general information from official documentation of authorized furnishings and pictorial documentation of its use in similar structures. These two sources, together with first-person accounts of Army life, enable an accurate historical furnishing to be accomplished.

Official Documentation

This section of the study is a comprehensive examination of government-issue equipment authorized for an enlisted barracks and mess hall during the period July 1, 1941 to June 30, 1942. Based on official records, it identifies, illustrates, and describes in text those items provided to a soldier, company organization, and station for service in the Zone of the Interior. This material forms a primer to understand and judge other evidence, as well as select objects to furnish the historical buildings.

Presentation of this information has three parts. The first is a discussion of supply policy that determined type and quantity of articles issued. The second is a listing of these authorized items, and the third is an examination of each. Also included are directions for wearing, assembling, and arranging this equipment, as established by command policy and unit custom.

Each entry includes a physical description and illustration, if available from supply documents, of the adopted standard. Following this is information on changes to the approved pattern and descriptions of earlier or later items in the supply system. This will assist in identifying appropriate 1941–42 articles and distinguishing them from similar items from other periods.

This text utilizes official U.S. Army terms, abbreviations, color shade names and numbers, and approved item nomenclature. It references official publications to document date and approval authority that affect each specific subject. These references are listed immediately after each section. Understanding these period terms is important to utilizing these references. For further explanation, consult the appropriate section or the Glossary and Bibliography at the end of this study.

Army Supply

In 1941, the Army supplied each soldier, organization and station with required materiel by a multi-layered supply system. Eight of the Branches of Service (BOS) had supply responsibility.

The Army required each supply BOS to be a proponent for its distinctive supplies, from developing to issuing, as follows.

AIR CORPS	Parachute, etc.
CHEMICAL WARFARE SERVICE	Gas mask, etc.
COAST ARTILLERY CORPS	CAC equipment, etc.
CORPS OF ENGINEERS	Compass, etc.
MEDICAL DEPARTMENT	First-aid packet, etc.
ORDNANCE DEPARTMENT	Rifle, etc.
QUARTERMASTER CORPS	Clothing, etc.
SIGNAL CORPS	Flashlight, etc.

The Army created a system of tables to allocate BOS supplies to each individual, organization and station as follows:

24

- TABLE OF ORGANIZATION (T/O)-Unit structure/weapons
- TABLE OF BASIC ALLOWANCES (T/BA)-Individual/unit equipment
- TABLE OF ALLOWANCES (T/A)-Post/camp/station equipment

The Army established jurisdictions of supply accountability, affecting both control and source of issue, as follows:

- INDIVIDUAL EQUIPMENT - Used at all duty stations
- ORGANIZATIONAL EQUIPMENT - Used by unit for field service
- STATION PROPERTY - Used only on installation

The Army reacted to supply availability, limited funding and increased requirements by issuing old and new items as follows:

- ADOPTED STANDARD - Current design, issue per allowance
- SUBSTITUTE STANDARD - Associate design, issue in lieu of
- LIMITED STANDARD - Non - current design, issue until exhausted

The Army set priorities, with the wartime mobilization, for the issue of limited supplies as follows:

- PREPARATION FOR OVERSEAS MOVEMENT (POM) UNITS - High
- NEWLY FORMED/TRAINING UNITS - As required
- STATESIDE/NON-DEPLOYABLE GARRISON UNITS - Low

 AR 310-60, *Military Publications*, 1 May 42.
Company Administration (Harrisburg: Mil Pub Co, Jul 42) pp 7-21.
 Nydegger, "Unit Supply," *Quartermaster Review*, Sep-Oct 42, p 84.
 WD Cir 126, 17 May 47.

Clothing and Individual Equipment

Upon Army induction, each dismounted soldier received at the Reception Station clothing and individual equipment as follows:

Seasonal Clothing (15 Sep to 15 May):

BELT, web, waist, M-1937	1	Individual Equipment:	
CAP, garrison, wool serge	1	BAG, barrack	1
COAT, wool serge	1	CANTEEN, M-1910	1
BELT, leather, EM (if required)	1	COVER, canteen, dismounted, M-1910	1
GLOVES, woolen, OD, pr	1	CUP, canteen, M-1910	1
HANDKERCHIEF, cotton, white	4	CAN, meat, M-1932/M-1918/M-1910	1
INSIGNIA, collar, U.S.	2	FORK, M-1926/M-1910	1
LEGGINGS, pr	1	KNIFE, M-1926/M-1910	1
NECKTIE, black	1	SPOON, M-1926/M-1910	1
NECKTIE, cotton, khaki	1	TAG, identification	2
OVERCOAT, woolen	1	TAPE, identification tags (40-inch)	1
RAINCOAT, dismounted	1	TOILET SET, Army	1
SHIRT, cotton, khaki	2	BRUSH, shaving	
SHIRT, woolen, OD	2	BRUSH, tooth	
SHOES, service, pr	1	COMB, rubber, hard	
TROUSERS, wool, OD, pr	1	RAZOR, safety w/5 blades	
DRAWERS, cotton, shorts, pr	3	TOWEL, bath	1
SOCKS, light wool, pr	3	TOWEL, huck	2
UNDERSHIRT, summer, sleeveless	3		
COAT, working (or JACKET, HBT)	1		
HAT, working	1		
TROUSERS, working			
(or TROUSERS, HBT), pr	1		

25

WD Cir 85, 29 Apr 41

WD Cir 218, 16 Oct 41

Upon Unit assignment, each dismounted soldier received the remaining T/BA clothing and individual equipment as follows:

Additional Clothing:

CAP, garrison, cotton twill	2	TROUSERS, cotton, khaki pr	4
HANDKERCHIEF, cotton, white	2	DRAWERS, cotton, shorts, pr	2
HELMET, steel, M-1/M-1917A1	1	DRAWERS, wool, pr	3
INSIGNIA, collar, EM (BOS) (Exchange 1 US)	1	SOCKS, cotton, tan, pr	5
INSIGNIA, shoulder sleeve (IAW AR 600-40)	2	SOCKS, light wool, pr	1
JACKET, field, OD	1	UNDERSHIRT, summer, sleeveless	2
NECKTIE, black	1	UNDERSHIRT, wool	3
NECKTIE, cotton, khaki	1		
SHIRT, cotton, khaki	2	COAT, working (or JACKET, HBT)	2
SHOES, service, pr	2	TROUSERS, working	
TROUSERS, wool, OD, pr	1	(or TROUSERS, HBT), pr	2

Individual Equipment:

BELT, cartridge, Cal.30, dismounted (IAW T/BA)	1	POUCH, first aid packet, M-1924/M-1910	1
BLANKET, wool, OD, M-1934	2	TENT, shelter, half	1
CARRIER, pack, M-1928/1910 (IAW T/BA)	1	PIN, tent, shelter, wood	5
HAVERSACK, M-1928/M-1910 (IAW T/BA)	1	POLE, tent, shelter	1

 WD Cir 96, 12 May 41.
 T/BA 21, QM Clothing and Individual Equipment, 1 Oct 41.

Description of Clothing

WEB WAIST BELT

The *BELT, Web, Waist, M-1937* (figure 8) included a frame, friction buckle clamped to one end and tip folded over the other. Fabricated of olive drab (OD) cotton and bronze-colored brass, it was 1-1/4 inches wide, with 36-inch to 56-inch sizes.

Trousers required a waist belt when the coat was removed. Adopted with a commercial-pattern friction frame buckle by 1912, the old web pattern of 1-inch width remained in use until 1937. Then World War II conditions switched the buckle from a bronze, solid-frame to less-critical, oxidized stamped metal, while the lighter web color was changed to the darker OD-7 shade after 1943. Peacetime introduced a new pattern in 1948, with a solid, GCM (gold-colored metal) buckle and OD-3 web, to match both OD and khaki uniforms, phasing out all earlier web waist belts.

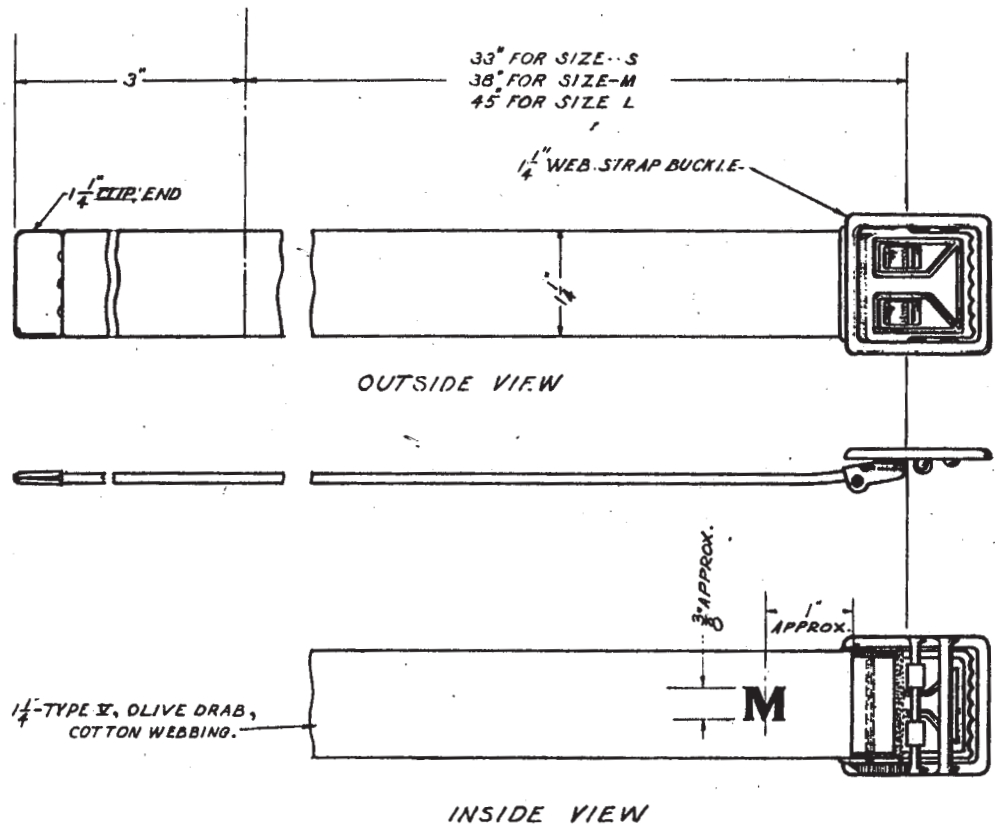


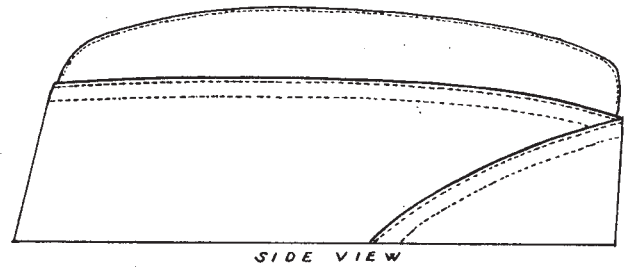
Figure 8

 USA 6-105, Belts, Web, Waist, 25 Mar 38.
 JQD 19, Belts, Web, Waist, 19 Sep 41.

GARRISON CAP

The *CAP, Garrison* (figure 9) had a bellows crown, curved front and rear peaks, and turned-up curtain, crossing in front. Made for both seasonal service uniforms in OD-33, 18-ounce wool serge or Khaki-1, 8.2-ounce cotton twill, it had a trim of BOS color (i.e., CAC scarlet) cord-edge braid.

The garrison cap was the principal headgear of World War II. In 1941, wartime measures restricted wear of the service cap (with visor) to select personnel, such as the Military Police. Its replacement, the World War I “overseas cap” or the later “field cap,” became the “garrison cap” (slang for service cap) when the new M-1 helmet liner eliminated other types of headgear. With sharp peaks and wide top in 1938, and shallow ones by 1940, the official pattern vied with a popular commercial one without center gusset, adopted later as the M-1950 garrison cap.



CAPS FIELD

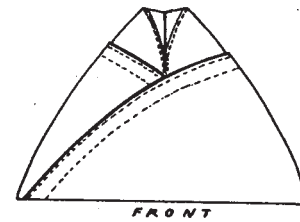
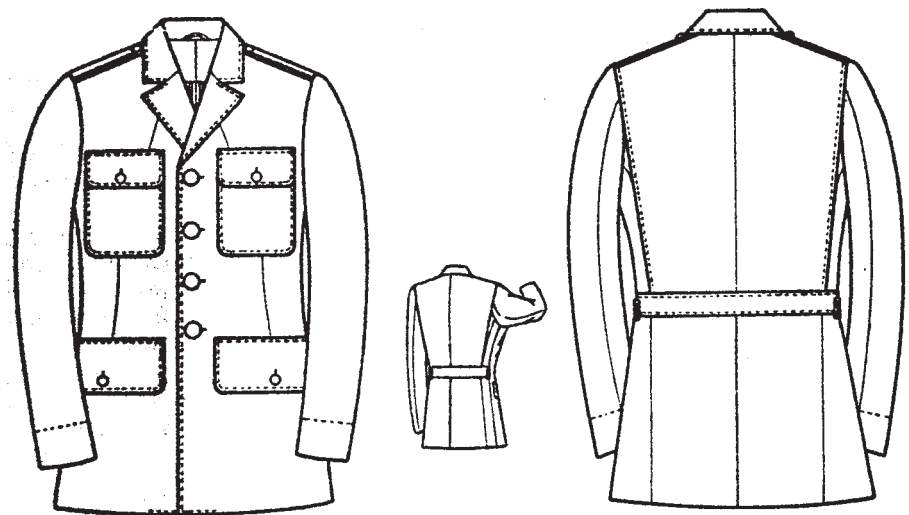


Figure 9

QM R&D History, u.p., pp 1785-1786.
WD Cir 97, 7 Sep 40.
USA 8-114A, *Caps, Field*, 19 Feb 41.
WD Cir 49, 25 Mar 41.
2Ind, TAG to QMG, 16 Oct 41 (11 Sep 41) Subj: Headgear.

SERVICE COAT

The *COAT, Wool, Service, M-1939* (figure 10) was single-breasted, with a roll collar, notched-lapels and side plaits. There were gores at neck and waist, self-belt with hooks, and two patch upper pockets and two inside-bellows lower pockets. Made of OD-33 18-ounce serge, it had national arms, and four GCM 36 ligne* buttons in front, and a 25-ligne button on each pocket and shoulder loop.



Coat, Wool, Service, M-1939

Figure 10

*A ligne is a linear unit ($1/40$ inch) used to measure the diameter of buttons.

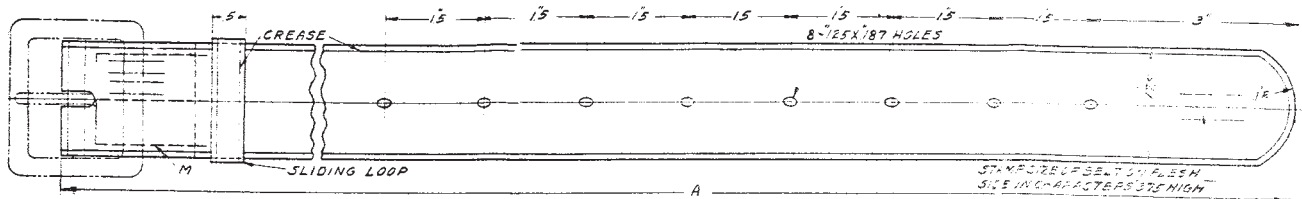


Figure 11

The *BELT, Leather, EM* (figure 11) had a center-bar buckle stitched to one end and eight holes punched in the other. Made from Russet-90 leather with brass fittings, it was 1-3/4 inches wide and featured a 1/2-inch-wide sliding loop.

28

The service coat was a garment for both garrison and field. Called a “blouse” by the nineteenth century, it dressed up for garrison with gilt buttons and roll collar in 1926 and serge after 1933. A “bi-swing” back, added during 1939 for field service ease, proved unnecessary by 1942 with the arrival of a field jacket. The leather belt, an accent to the garrison blouse since 1921, improved with a snap buckle and loop keeper early in the War. However, wartime shortages claimed leather belts, and disuse claimed the service coat, whose post-war place was filled by the wool jacket.

 QM R&D History, u.p., pp 1828–29.

QM Drawing 2-4-7 *Waist Belt, Leather, Enlisted Men*, 22 Dec 23.

USA 8-31D, *Coats, Wool, Service, M-1939* 7 Feb 40.

JQD 110, *Belt, Leather, EM*, 23 Apr 42.

PQD 187, *Coat, Wool, Serge, M-1942*, 10 Jul 42.

GLOVES

The *GLOVES, Woolen, OD* had separate fingers, an inserted thumb, and a wide cuff. Knitted in one piece on a loom, they were a seamless, plain pattern, with a 3-inch rib-knit cuff.

Warm gloves for protection accompanied overcoats in winter. Standardized by 1876, they featured a seamless knitted pattern. Originally bleached white, the yarn was changed to a more practical camouflage color, and after World War I, knitted gloves were OD. World War II shortages created lack of manufacturing capacity. Industry had to change from manufacturing the customary one-piece glove to a cut-and-sewn pattern reinforced with a brown-leather palm. By 1943, the winter clothing “layering” ensemble introduced the leather shell, and the OD woolen glove became an insert.

 QM R&D History, u.p., pp 1605–12

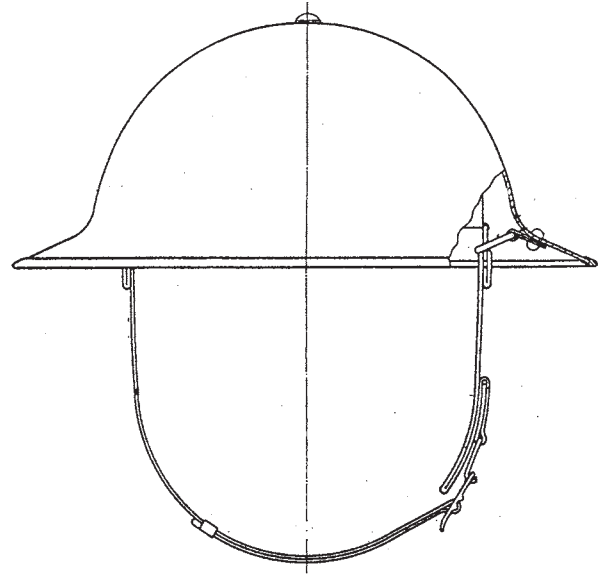
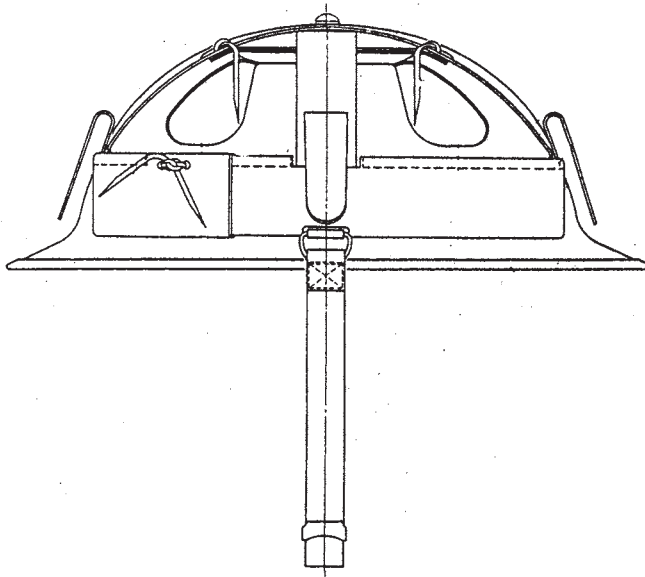
USA 8-60A, *Gloves, Woolen, OD*, 25 Mar 37.

PQD 170, *Gloves, Wool, Cut and Sewn (Leather Palm)*, 20 Apr 42.

HANDKERCHIEF

The *HANDKERCHIEF, Cotton* was a single piece of fabric finished on all four sides. Constructed of plain-weave, fine material, it measured 17-inches square, with a 1/4-inch hem.

Providing cloth handkerchiefs with clothing ensured hygiene. Although in common usage, it was not originally a supply item. First issued in 1919, the design remained an essentially civilian pattern, routinely fabricated by all of the textile industry. The color also stayed a bleached white through most of its years. But World War II required an essential change to a subdued color. This produced a handkerchief of OD-3 shade cotton for camouflage purposes. When peace returned, the cotton fabric became white again, and the handkerchief remained white until the subdued era of Vietnam.



DDD-H-71, *Handkerchiefs, Cotton*,
PQD 270, *Handkerchiefs, Cotton*, 28

Figure 12

10 Nov 31
Sep 42

HELMET

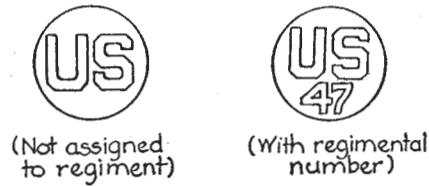
The *HELMET, Steel, M-1917A1* (figure 12) had a circular dish shape with attached rim and rough surface, having an improved interior suspension and hook-fastened adjustable chin strap. Coated with OD-paint and sprinkled with ground cork, the ballistic steel shell had a leather-covered aluminum frame with attached OD-web strap and bronze buckle.

Helmets gave some ballistic protection from shell fragments. A copy of the British Hatfield MK-I helmet, the M-1917 helmet had a simple lining of felt pad, cotton-twine mesh, and cushioned, oil-cloth sweatband, with leather chin strap and sliding buckle. This helmet, awaiting a new design, proved an interim solution. Installing a new leather-covered and metal adjustable suspension featuring a detachable web chin strap, it became the M-1917A1. But World War II adopted the new M-1 helmet and liner in Jun 41, making the substitute M-1917A1 steel helmet a relic of old.

USA 52-16-2A, *Helmet, Headpad & Frame, M-1917A1*, 28 Jul 37.
USA 52-16-1B, *Helmet, M-1917A1, Body Assembly for*, 6 Nov 39.
Ordnance Drawing D7002 *Helmet, M-1917A1, Assembly*, Rev 15 Jul 40.
Ordnance Drawing D6863 *Lining, Helmet Assembly*, Rev 1 Apr 41.
Record of Army Ordnance R&D, Vol I, Washington: OTCO, Jan 46.

INSIGNIA

The *INSIGNIA, Collar, U.S., M-1937* (figure 13) had two pieces, with a plain circular background and screw-post and thumb nut. Manufactured in GCM, capable of being burnished, the 1-inch disc mounted the "US" with an option of regimental number below.

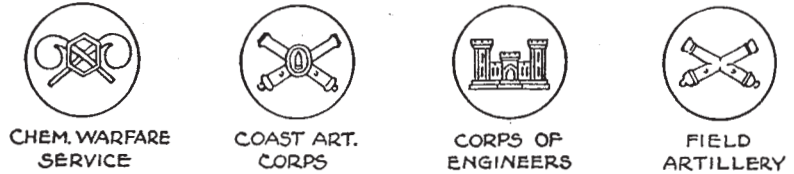


The *INSIGNIA, Collar, EM (BOS), M-1937* (figure 13) had two pieces, with a plain circular background and screw-post and thumb nut. Manufactured in GCM, capable of being burnished, the 1-inch disc mounted the BOS insignia, without a company letter.



30

The *INSIGNIA, Distinctive, Unit (DUI)* featured a War Department-approved design for regiments or other organizations, usually with a screw-post and thumb nut. Mostly of bright metal, with a full-color enameled face, each was approximately 1-1/4-inches high.



The *INSIGNIA, shoulder sleeve (SSI)* featured a War Department-approved design for divisions or major commands. Embroidered in colorful yarn, or worked on a suitable base in older appliqué, each full-color representation varied in size.



The *INSIGNIA, sleeve, chevron* (figure 14) came in six designs to indicate the grades of noncommissioned officers. Of OD or khaki on a dark-blue field, each was 3-1/8 inches wide, with the required number of 5/16-inch-thick chevrons and arcs displayed.



Figure 13

Insignia added colorful recognition to a drab uniform. Established in form by World War I, the collar discs traded their combat bronze for GCM in 1925, to enhance the peace-time dress. Shoulder sleeve (SSI) and grade insignia reflected technology. At first, the textile industry used wool melton or cotton applique and simple embroidery together for complex designs. World War II introduced the insignia of the postwar era, with fully-washable, embroidered SSI and chevrons, along with stamped-metal collar insignia attached with clutch fasteners.

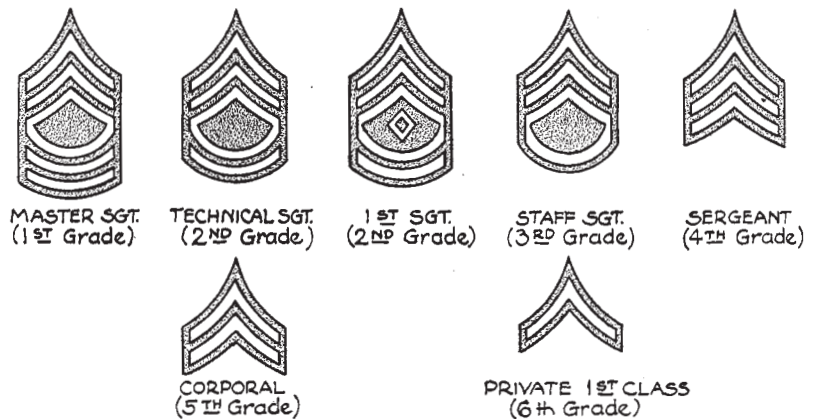


Figure 14

WD Cir 58, 31 Aug 37.
 USA 34-3A, *Insignia, Cap and Collar for EM*, 16 May 38.
 PQD 189A, *Insignia Cap and Collar (EM)*, 10 Jul 42.

WEAR OF INSIGNIA

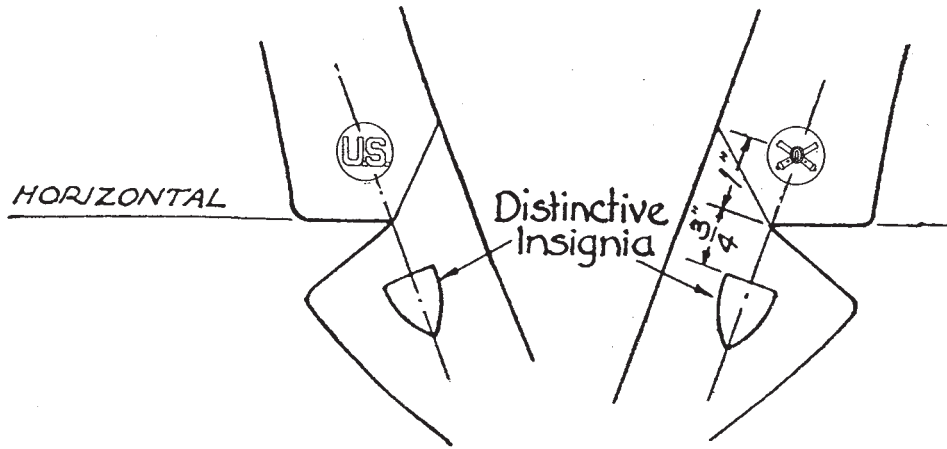
The soldier positioned each insignia on the uniform, in a manner prescribed by regulations. as follows:

The *INSIGNIA, Collar, U.S., M-1937* (figure 15, upper) went on the right, and *INSIGNIA, Collar, EM (BOS), M-1937* on the left service coat collar (shirts after Dec 46) 1-inch above the notch.

The *INSIGNIA, Distinctive, Unit* (figure 15, upper) went on each lapel, centered $\frac{3}{4}$ inch below the notch, and attached to the garrison cap, $\frac{1}{2}$ inch up and 1 inch back on the left curtain.

The *INSIGNIA, sleeve, chevron* (figure 15, lower) went on each sleeve of all outer garments (except raincoats), point up and midway between the elbow and the shoulder,

The *INSIGNIA, shoulder sleeve* (figure 15, lower) went on the left shoulder of the service coat and overcoat (shirt and field jacket after Aug 42) 1/2 inch below the seam.



-
- AR 600-40 Wearing of the Service Uniform 28 Aug 41.
- AR 600-40 (C1), Wearing of the Service Uniform, 14 Aug 42.
- WD Cir 355, 3 Dec 46.

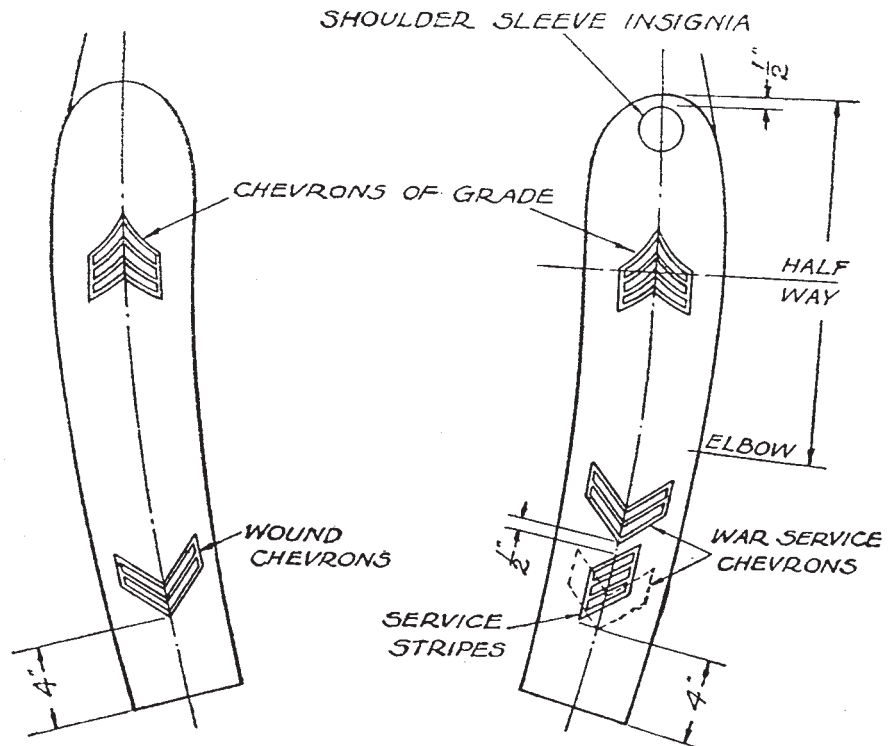


Figure 15

FIELD JACKET

The JACKET, *Field*, OD (figure 16) was waist-length, with stitched-on belt, side plaits and hanging pockets with flaps. The slide closure front had semi-peaked lapels, worn open or closed. Made of OD 5-ounce cotton and 10-1/2-ounce wool-cotton flannel, the field jacket had 24-ligne OD buttons, six in front and one each on the collar, cuffs, pocket flaps and bottom-adjustment tabs.

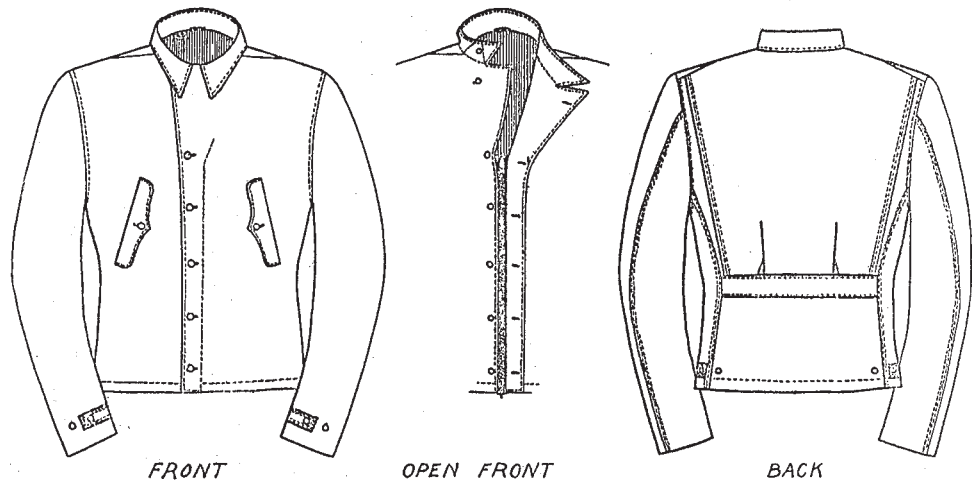


Figure 16

The field jacket replaced the “blouse” for field service. From the 1940 concept of MG Parsons, III Corps Area Commanding General, it drew its design from waist-length commercial wind-breakers. Refinements adopted in 1941 removed the buttoned flaps over the pockets and added shoulder loops to the jacket to secure the straps of equipment and display the officer insignia of grade. But these garments soon yielded to a winter “layering” ensemble. Changes made during World War II resulted in the OD-7, M-1943 field jacket, which featured a hip-length skirt, drawstring waist, and breast and hip pockets.

QM R&D History, u.p., pp 1813–14
PQD 20, *Jackets, Field*, 24 Jan 41.
PQD 20A, *Jackets, Field*, 6 May 41.
Roberts, *Designed for Combat* (Philadelphia: PQD, Jun 46).

LEGGINGS

The LEGGINGS, *Canvas, Dismounted, M-1938* (figure 17) were calf length, seamed in front and back, and closed with laces on the side and fastened under the instep with a strap and buckle. Fabricated of khaki-cotton duck, they were 12-3/4 inches to 14 inches high, with a metal-tipped 36-inch to 40-inch braid running through pairs of brass eyelets and single hooks, to tie at top.

Field service required leggings to secure the trousers. Reintroduced in 1934 to replace the old OD-wool, wrap leggings, the design was improved by adding double eyelets for each hook. World War II shortages of materials affected their construction. In 1942, khaki changed to OD-3 and bright-brass to black steel and zinc, while a year later, leggings turned OD-7 in color and reduced in height along with a reduction in the number of hooks and eyelets, then evenly-spaced. By then, the combat service boot, with attached leather cuff, had begun to phase out the canvas leggings.

QM R&D History, u.p., pp 1672–73.
USA 6-288, *Leggings, Canvas, Dismounted, M-1938*, 8 Aug 40.
JQD 212, *Leggings, Canvas, Dismounted, M-1938*, 12 Oct 42.

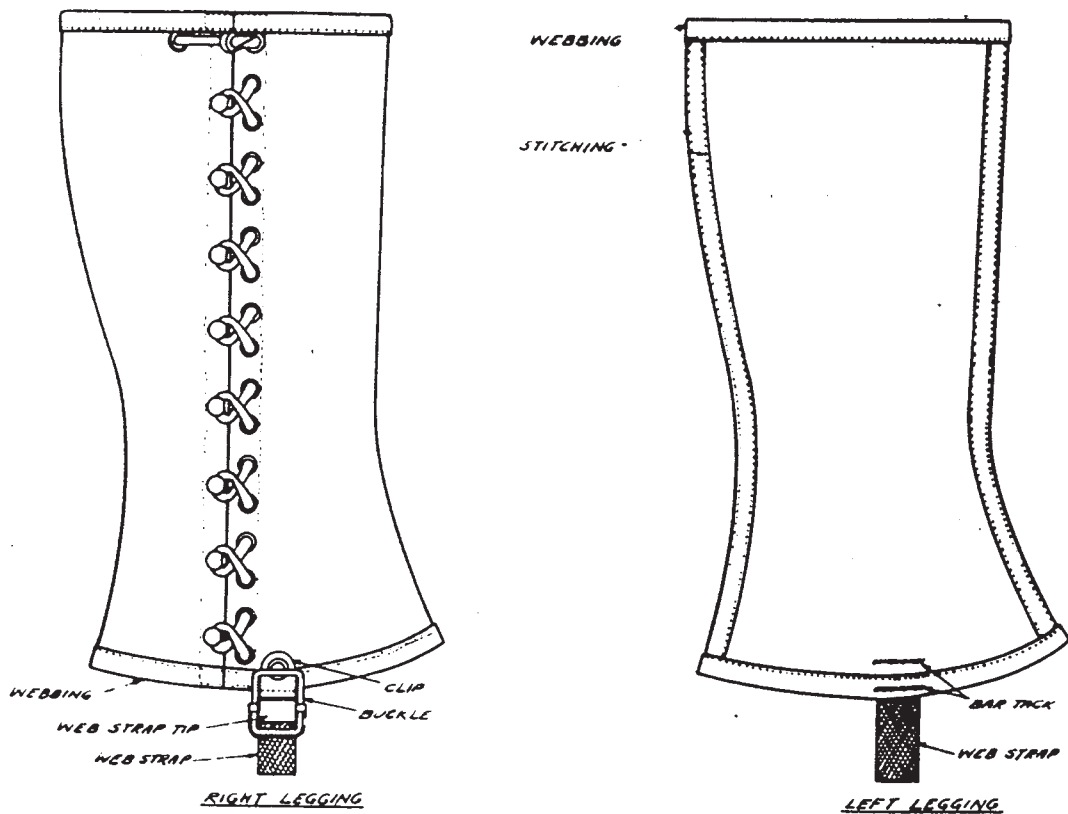


Figure 17

NECKTIES

The *NECKTIE, Black, Wool, M-1940* (figure 18) was made in a four-in-hand, fully-lined pattern, that folded into triangular tips. Made of challis, it was 45 inches long and tapered from a 1-inch center to a 3-inch width at one end and a 2-1/4-inch width at the other.

The *NECKTIE, Cotton, Khaki (Washable)* (figure 19) was made in a reversible, unlined pattern, with fully-stitched triangular tips. Made of 8.2-ounce twill, it was 43 inches long and tapered from 1-inch center to 2-3/4-inch width at one end and 1-1/2-inch width at other.

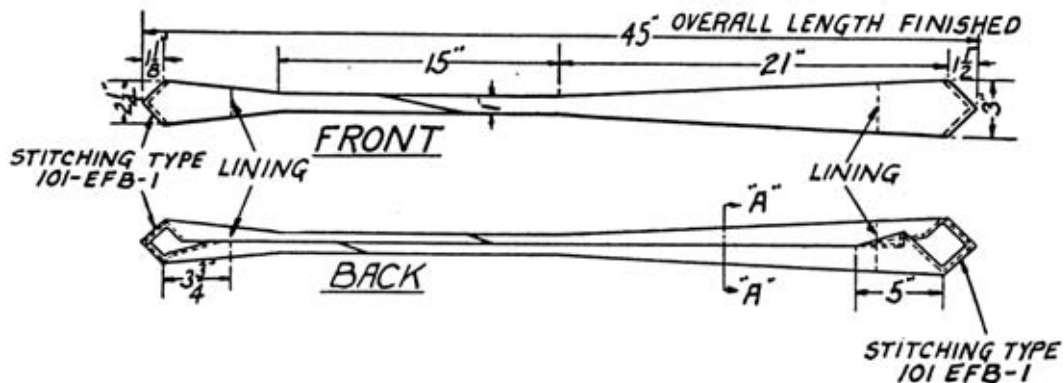


Figure 18

The roll-collar blouse and exposed shirt required a necktie. Black silk, a choice since 1892, was used for the neckwear of 1936. But warm weather made a washable fabric desirable, so a tie matching the cotton uniform arrived in 1938, to wear with the exposed shirt. World War II shortages of critical materials exchanged black wool for silk, and finally mohair for both wool and cotton in 1942. Fashioned in the compromising OD-3 shade later called Khaki-5, it served in the post-war world for all occasions until replaced by the dark OD-51 necktie in 1948.

 USA 6-282, *Neckties, Cotton, Khaki (Washable)*, 22 Aug 39.
 USA 8-119, *Neckties, Black, Wool, M-1940*, 31 Jan 41.
 2Ind, 24 Feb 42, TAG to QMG, (2-4-42) (adopted OD-3 necktie).

34

OVERCOAT

The *OVERCOAT, Wool, Roll Collar* (figure 20) was a double-breasted ulster pattern, with a convertible collar, notch lapels, straight front and self-belt in back and a plait on each side. Tailored of 32-ounce OD melton, it had national arms and GCM buttons, three pair of 45-ligne buttons in front and two on the 2-piece belt, with one 25-ligne on each shoulder loop and pocket.

The overcoat, worn over the blouse, added winter warmth. Adopted of OD wool with the 1902 uniform, its long skirts were trimmed for the trenches, but the longer skirts returned after World War I.

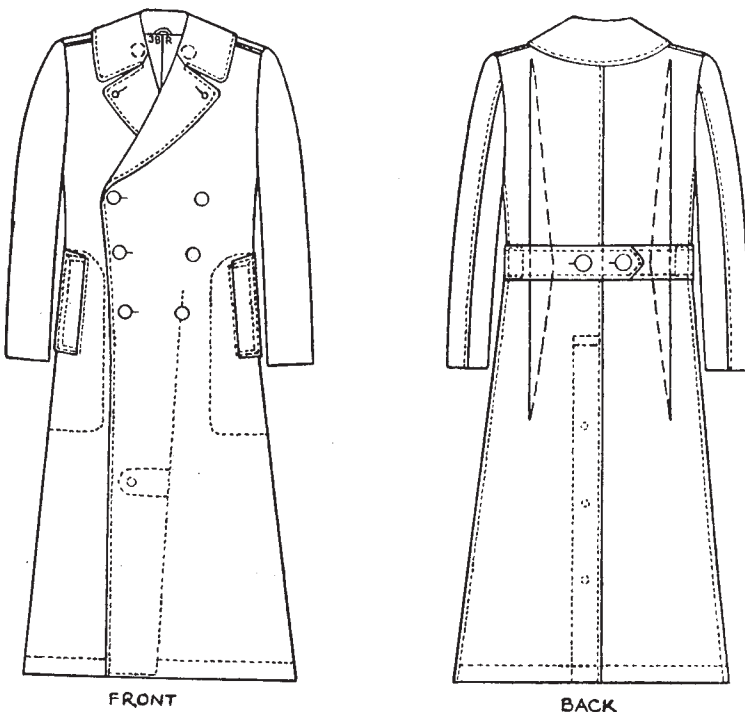
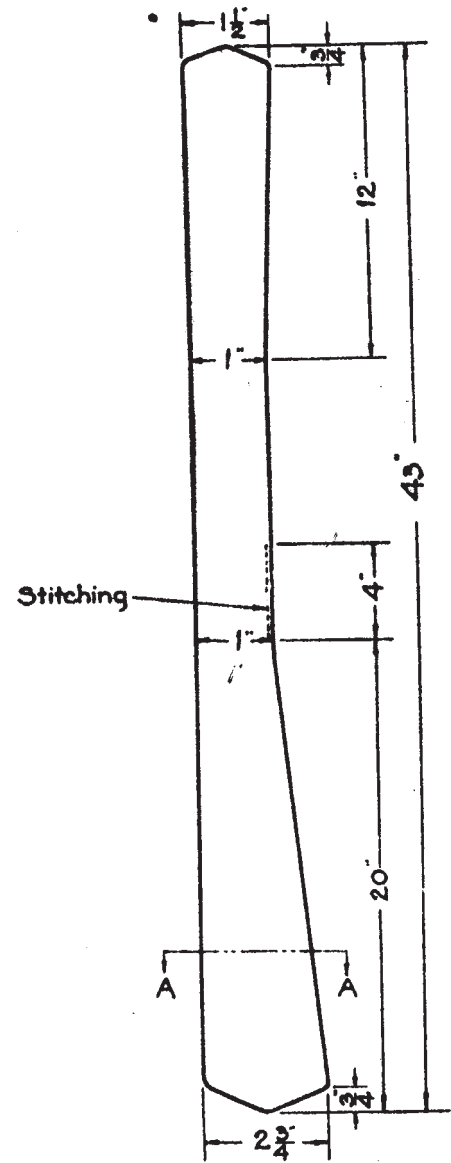


Figure 20



-Necktie, cotton khaki (washable).

Figure 19

In 1927, bright GCM buttons replaced the bronze, and a roll collar the stand and fall, to dress up the appearance of the coat. During World War II the shoulders were squared, the distinctive front curve was straightened, and an action pleat was added on each side of the back. After the War, the “horse-blanket” survived, but a cotton and wool trench-coat rival soon bade farewell to the wool overcoat.

 QM R&D History, u.p., pp 1790-91.
 USA 8-51A, *Overcoat, Wool, Roll Collar*, 21 Dec 37.
Clothing the Soldier of World War II (Washington: GPO, 1946) p 63

RAINCOAT

The *RAINCOAT, Rubberized, Dismounted, M-1938* (figure 21) was single breasted, with a one-piece back, separate yoke, stand and rolling collar, and throat latch. There were outside bellows pockets, with slanted flaps, and a buckled strap on each sleeve. Made of OD coated fabric, it fastened with OD buttons, five 40-ligne in front and three 30-ligne on interior storm flap.

A raincoat used period technology to ward off the elements. It began with the coat-style slicker of mounted troops replacing the awkward, rectangular poncho of the World War I Infantry. Advances in water repellency replaced the former oil-treated garments with rubberized raincoats. But shortages of critical materials saw too soon a return of these problem areas by 1939. An interim solution in 1942 was a synthetic resin coating. With this came a raincoat style, with vertical, open-through pockets and regular or raglan shoulders, which lasted 20 years.

 USA 20-104A, *Raincoats, Rubberized, M-1938*, 16 Jan 40.
 PQD 71A, *Raincoat, Synthetic Resin Coated, OD*, 16 Feb 42.

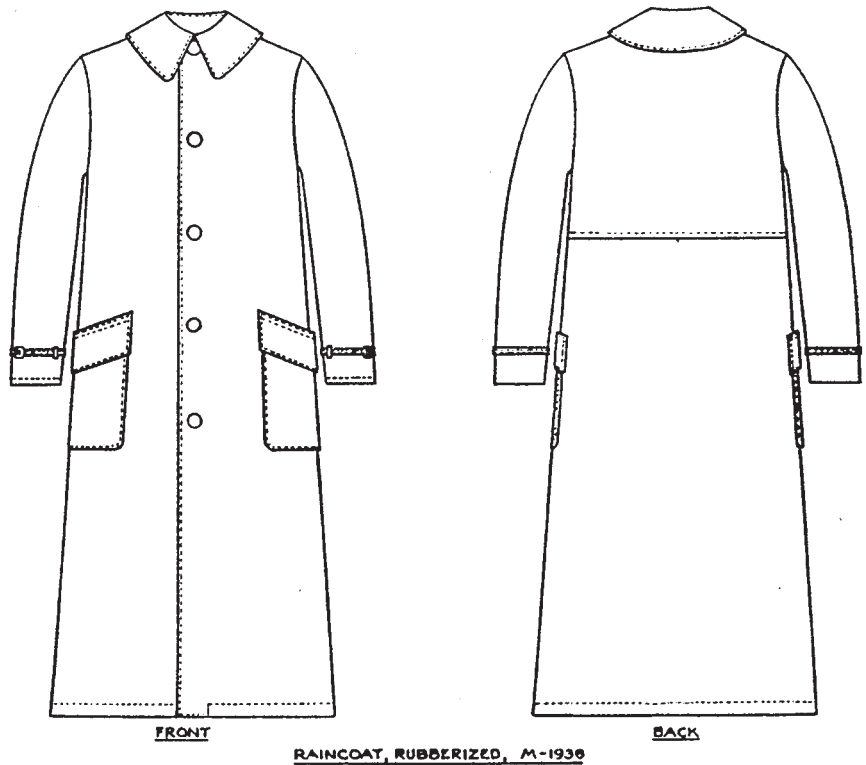
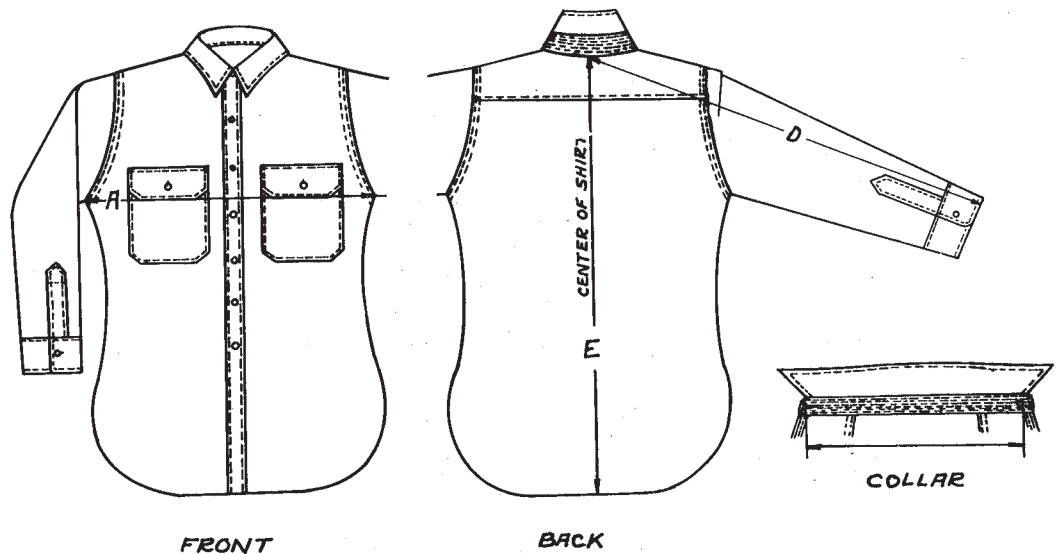


Figure 21

SHIRTS

The *SHIRT, Wool, OD* (figure 22) was coat style, with a placket front, shoulder yoke and two patch breast pockets. Both pockets and pocket flaps had 1-inch cut-back lower corners. Made of Shade-31 worsted or wool-cotton flannel, it had 24-ligne buttons, six or seven on the front and one each on pocket and cuff.



SHIRTS

Figure 22

The *SHIRT, Cotton, Khaki* (figure 22) was coat style, with placket front, shoulder yoke, and two patch breast pockets. Both pockets and pocket flaps had 1-inch cut-back lower corners. Made of 8.2-ounce, cotton twill fabric, it had 24-ligne buttons, six or seven in front and one on each pocket flap and cuff.

The shirt became a long-awaited exterior garment in 1938. Confirming the American “shirt-sleeve” reputation, the shirt was altered for comfort in 1941 with the introduction of a convertible, or sport-type, collar. First appearing on the cotton shirt, the convertible collar was a wool-shirt feature a year later. But in 1943, the Chemical Warfare Services added a gas-protective flap to the front and a gusset to each cuff. The 6-ounce cotton shirt, no longer a field garment, dropped this feature by the next year. In peacetime an officer-quality shirt was offered to the enlisted men. A stand-up collar and shoulder loops were added by 1946.

36

QM R&D History, u.p., pp 1522; 1839-44.
 USA 8-108, *Shirt, Worsted, OD*, 2 Aug 37.
 USA 6-241, *Shirt, Cotton, Khaki (8.2-ounce)*, 29 Nov 38.
 PQD 96, *Shirts, M-1941*, 29 Sep 41.
Depot Examiners' Handbook (Philadelphia: PQD, 15 Aug 42).

SERVICE SHOES

The *SHOES, Service* (figure 23) were an unlined-blucher pattern, with half-bellows tongue, full-curved vamp and cap toe. Made over the Munson last, they had Good-year-welt stitched soles. The uppers were Russet-90, 4- to 6-ounce grain-out, chrome-vegetable re-tanned leather and the outsoles, vegetable-tanned leather, 8-1/2 to 9-1/2 iron (thickness), with 7/8-inch-thick rubber heels.

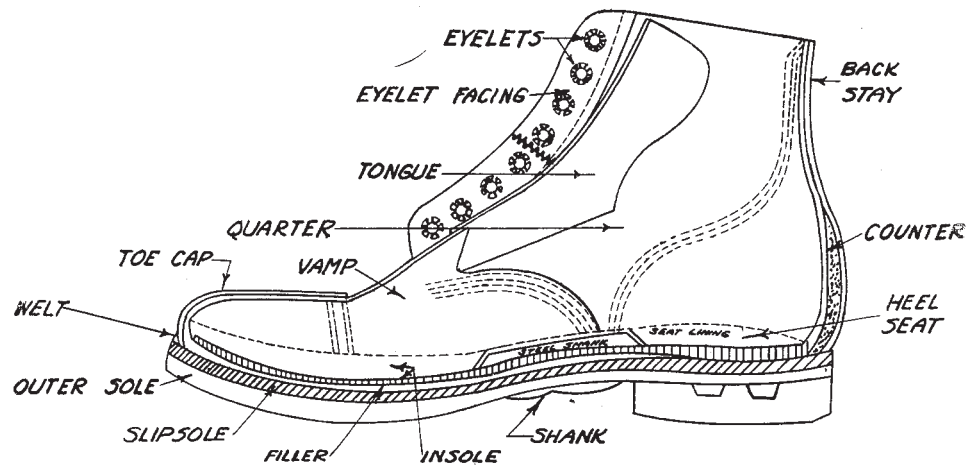


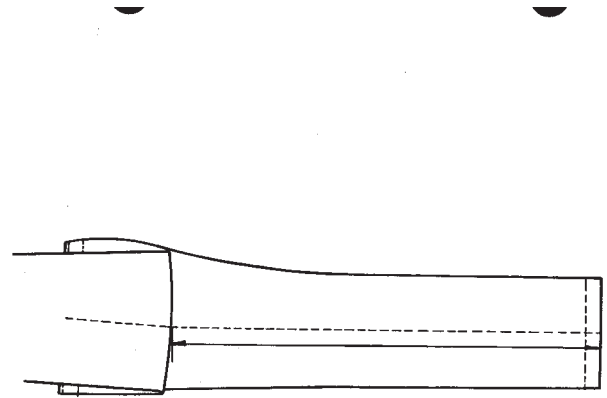
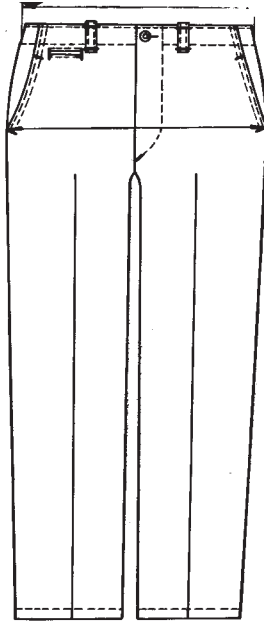
Figure 23

The service shoe was footwear for both field and garrison. To replace the heavy hobnail World War I “Pershing” field shoe, the service shoe developed as a compromise between light and heavy footwear. With a leather sole, the rubber heel arrived after 1940, shoes were Type I, while Type II also added rubber half soles in 1941. World War II shoes returned to an earlier concept, reverse uppers or flesh-out leather for field duty, with the Type III shoe. Using this construction, but with a grain-leather, buckled cuff, the 1943 combat service boot eliminated the service shoes.

QM R&D History, u.p., pp 1932; 1954-57.
 WD Cir 126, 28 Jun 41.
 USA 9-6F, *Shoes, Service, Types 1 and 2*, 19 Nov 41.
Modern Service Shoes (Boston: BQD, 1 Oct 45), pp 10-12, 32-42.

TROUSERS

The *TROUSERS, Cotton, Khaki* (figure 24) were full length, with a “grown-on” (integral) waistband and rear darts at the waist. There were seven 1/4-inch to 5/16-inch belt loops, a watch pocket and two hip and slanted-hanging pockets. Made of 8.2-ounce twill, they had stamped zinc “U.S. Army” buttons, one 27-ligne at the waist, and four 22-ligne at the fly.



37

The *TROUSERS, Wool, OD* (figure 25) were full length, with a “grown-on” (integral) waistband and two rear darts at the waist. There were seven 1/4-inch to 5/16-inch belt loops, a watch pocket and two hip inside hanging and two side-hanging pockets. Made of Shade 32 (lighter) 18-ounce serge, they had OD buttons, one 27-ligne, at the waist, and four 22-ligne, at the fly.

Figure 24

Trousers replaced breeches for dismounted personnel by 1938. The Chemical Warfare Service added a protective flap to the fly opening in 1943, but cotton trousers lost this the next year. Buttons also changed to OD, and single-seam construction was added to the work-clothing double seams customarily used. Wool trousers increased in weight for field service, changing to dark OD-33 and adding one and then two rear pocket flaps. Post-war trousers were no longer available in OD wool, while the khaki cotton trousers were given a separate waistband and wide belt loops in 1954, and a zipper fly by 1958.

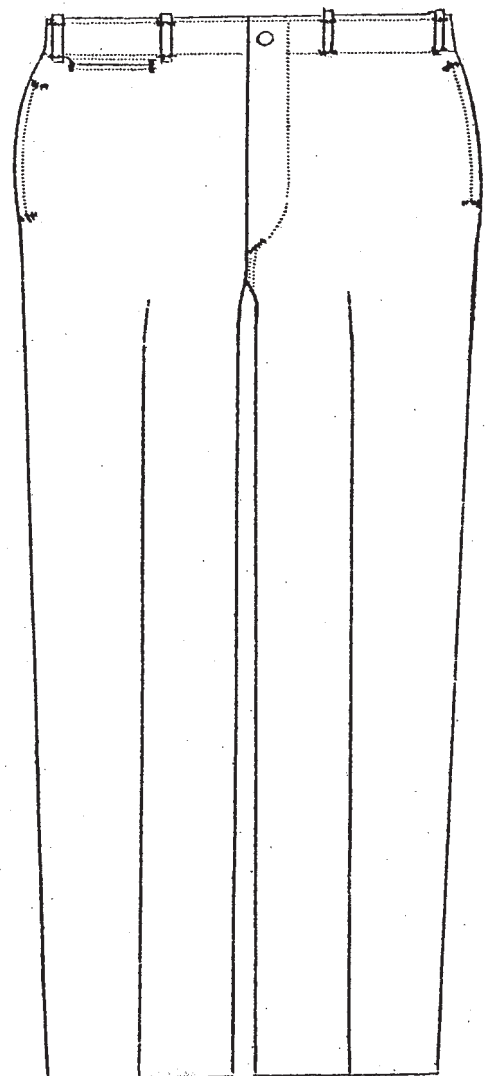
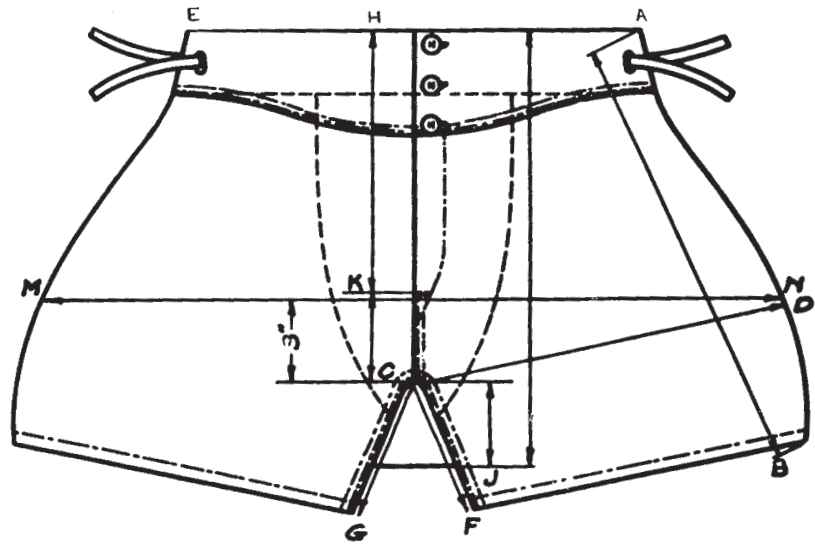


Figure 25

QM R&D History, u.p., pp 1829–30; 1833–36.
USA 6-254, *Trousers, Cotton, Khaki*, 8 Nov 37.
USA 8-83B, *Trousers, Woolen, EM, Service, OD*, 9 Nov 37.
WD Cir 71, 23 Nov 38.
USA 6-254(2), *Trousers, Cotton, Khaki*, 3 Mar 42.
Depot Examiners' Handbook (Philadelphia: PQD, 15 Aug 42).

UNDERWEAR

The *DRAWERS, Cotton, Shorts* (figure 26) were thigh-length with a full-seat, panel back, buttons and side-adjusting ties. Plain-woven in white, they had a tapered waistband, 2-1/2-inch back to 4-inch front, closed with three 22-ligne white buttons.



DRAWERS: COTTON, SHORTS

Figure 26

38

The *DRAWERS, Wool (25% & 50%)* (figure 27) were ankle length with wing-type gusset crotch, buttons and adjustable-tie back. Knitted in silver-gray, rib stitch with anklets, they had woven-fabric waistband, closing with three 24-ligne white buttons.

The *SOCKS, Cotton, Tan* (figure 28) were seamless, knitted by machines and featured the reinforced full-size heel and toe. A mix of cotton yarns, they had a 5-1/2 to 6-inch ribbed top, a 1/2-inch advance splicing at the toe, and a 14-inch total length.

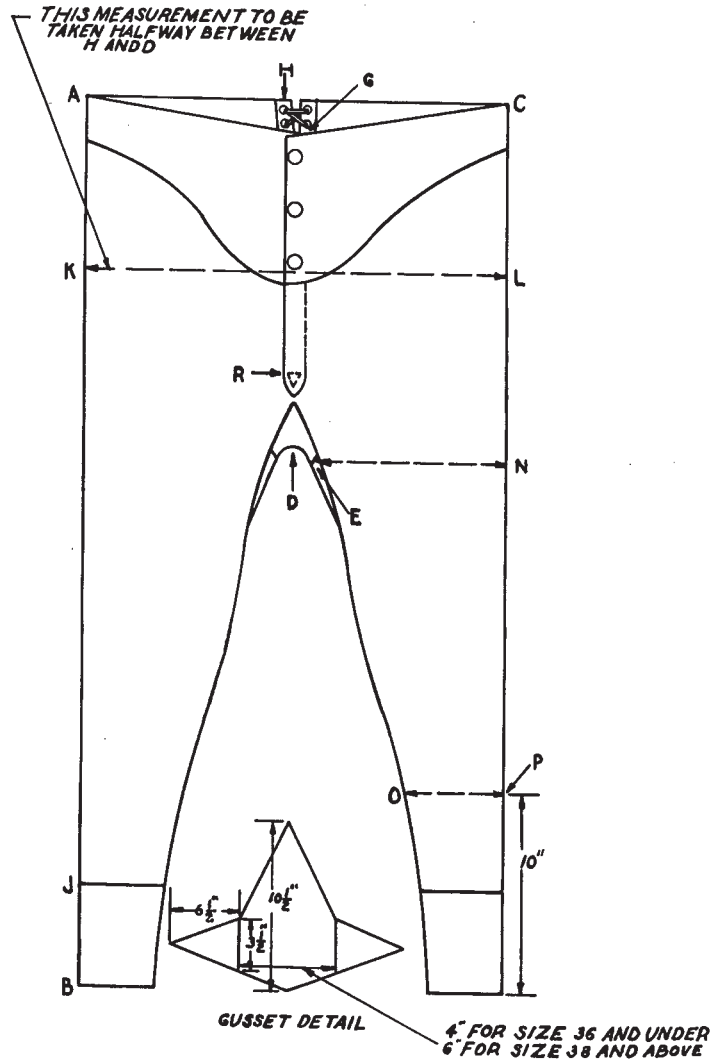


Figure 27

The *SOCKS, Wool, Light* (figure 28) were seamless, knitted by machine and featured a reinforced full-size heel and toe. Silver-gray cotton and wool, they had a 5-1/2- to 6-inch ribbed top, a 1/2-inch advance splicing at the toe, and a 14-inch total length.

The *UNDERSHIRT, Summer, Sleeveless* (figure 29) had a pull-over athletic pattern with bound armholes and collarete neck. Knitted in rib and flat-stitch white cotton, it had commercial-trade 1-1/2-inch shoulders and 3/4-inch-wide bottom hem.

The *UNDERSHIRT, Wool (25% & 50%)* (figure 30) was a pull-over pattern, with long sleeves and a high military collarete neck. Knitted in a rib stitch of silver-gray color, it had a seamless body, rib cuffs, and a stitched hem.

Underwear reflected both necessity and a seasonal comfort. Old heavy garments yielded to

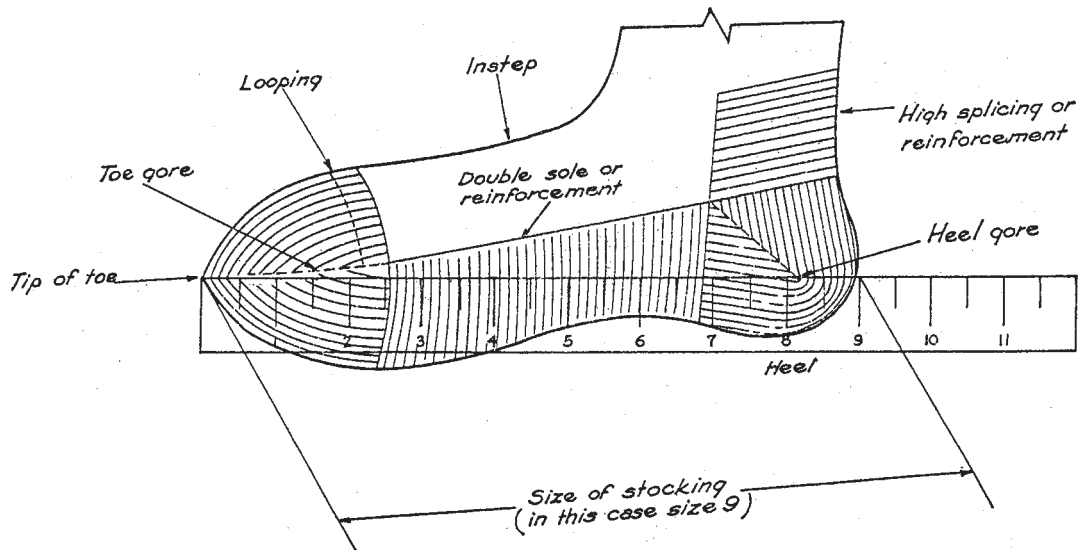


Figure 28

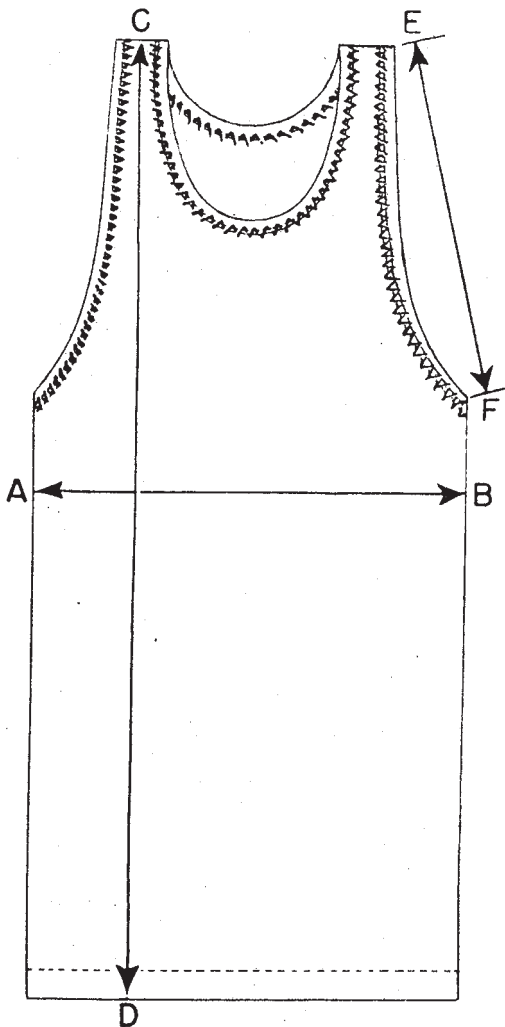


Figure 29

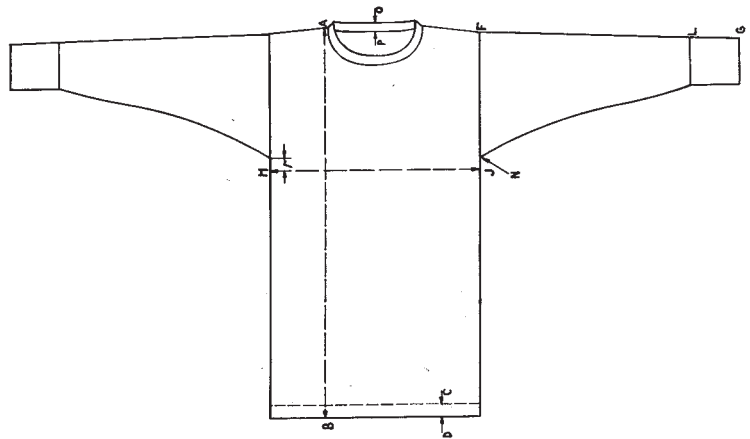


Figure 30

civilian styles, with summer shorts drawers arriving in 1933, and a sleeveless undershirt in 1935. World War II saw thin cotton-tan socks challenge lightweight wool, anticipating the issue of low-quarter shoes for garrison. Jungle operations developed future cushion-sole wool socks, and by 1943, white underwear turned a subdued shade OD-9 for camouflage. A white quarter-sleeve ("T") undershirt was introduced in 1948, and cotton drawers with grip-fastener waistband in 1951.

QM R&D History, u.p., pp 1532;1574-77;1588-89;1602-04.

USA 6-233A, *Undershirts, Summer, Sleeveless*, 1 Sep 36

USA 6-188B, *Drawers, Cotton, Shorts*, 6 Oct 36

FED JJ-S-566a, *Socks, Cotton*, 22 Aug 38

FED JJ-S-581a, *Socks: Wool and Wool-Cotton Mixture*, 22 Aug 38

PQD-73, *Undershirts, Wool, 25% and 50%*, 17 Jun 41

PQD 74, *Drawers, 25% and 50% Wool*, 18 Jun 41

Depot Examiners' Handbook (Philadelphia: PQD, 15 Aug 42).

WORK CLOTHING

The *COAT, Working, Denim* (figure 31) had a coat-style front, one-piece back, with cut-on-facings and one-piece collar. Sewn of white-back, indigo-dyed cotton, it had “U.S. Army” zinc buttons, five 27-ligne on front and one each on the patch-pocket flaps.

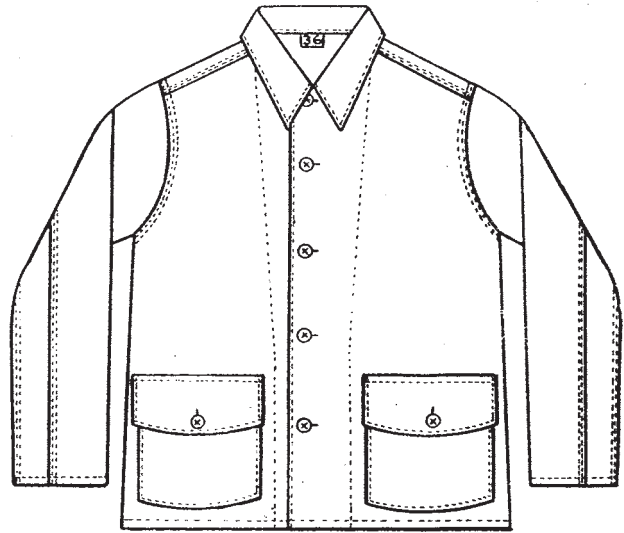


Figure 31

The *HAT, Working, Denim* (figure 32) had a six-section crown, attached to a circular brim, strengthened with rows of stitching. Sewn of white-back, indigo-dyed cotton, it had a 2-1/2-inch-wide brim, with a 5/8-inch band encircling the crown.

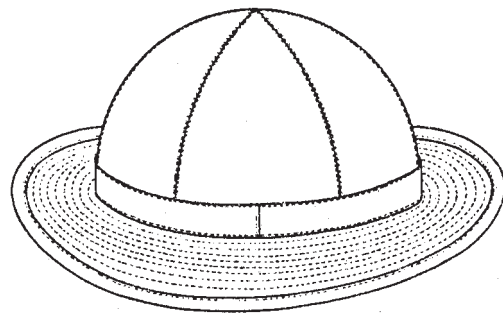
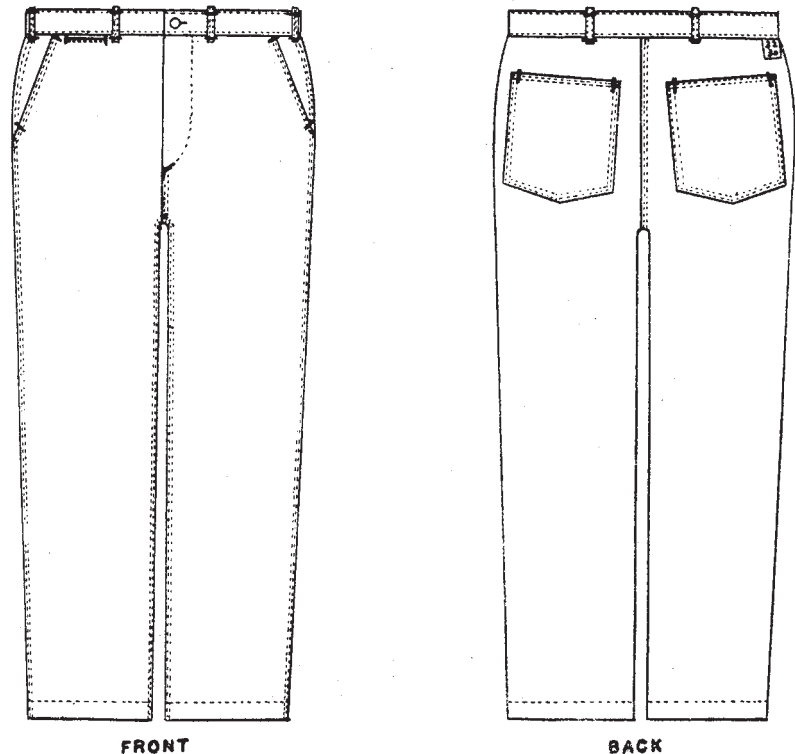


Figure 32

The *TROUSERS, Working, Denim* (figure 33) had a separate waistband, with six narrow belt loops and two slanted-hanging, two patch hip, and an inside hanging watch pockets. Sewn of white-back, indigo-dyed cotton, they had one 27-ligne “U.S. Army” zinc button at the waist and three 22-ligne on the fly.

Work clothing originated to protect the service garments. The original nineteenth century brown-duck suit changed to garments of the industry standard, indigo-blue cotton denim, after 1908. Prior to 1940, the slip-on jumper had a short placket front and outside patch pockets, with side openings. The early trousers had patch pockets, plus a back strap with wire-buckle adjustment. During World War II, blue-denim work clothing slowly disappeared, with the adoption in 1941 of the one-piece and two-piece suits of OD-cotton herring-bone twill (HBT).



FRONT

BACK

Figure 33

USA 6-3A, *Hat, Working*, 11 Mar 37.
USA 6-125B, *Coat, Working, Denim*,
7 Aug 40.
USA 6-124C, *Trousers, Working, Denim*, 8
Aug 40.
WD Cir 58, 5 Apr 41.

UNIFORM OF THE DAY

Military clothing worn in a manner prescribed by Army Regulations and other policy directives constituted the uniform. These documents described specific components of and prescribed current wear policy for the SERVICE UNIFORM (figure 34).

Installation or organization commanders issued local uniform policy, usually posted on the bulletin board. A soldier wore the prescribed drill and field service equipment, seasonal changes in spring and fall, and the Uniform of the Day as follows:

Winter	Summer
(After Retreat, off post or as ordered*)	
CAP, Garrison, Wool OD	CAP, Garrison, Cotton Khaki
SHIRT, Wool OD/Cotton Khaki	SHIRT, Cotton Khaki
NECKTIE, Black	NECKTIE, Cotton Khaki
COAT, Service, Wool (with EM belt if required)	
INSIGNIA	
TROUSERS, Wool OD, pr	TROUSERS, Cotton Khaki, pr
BELT, Web, Waist	BELT, Web, Waist
SOCKS, Cotton Tan, pr	SOCKS, Cotton Tan, pr
SHOES, Service, pr	SHOES, Service, pr
OVERCOAT/RAINCOAT	RAINCOAT
GLOVES, Wool OD	
(Duty, on post or as ordered*)	
CAP, Garrison, Wool OD	CAP, Garrison, Cotton Khaki
SHIRT, Wool OD	SHIRT, Cotton Khaki
NECKTIE, Black	
TROUSERS, Wool OD, pr	TROUSERS, Cotton Khaki, pr
BELT, Web, Waist	BELT, Web, Waist
SOCKS, Cotton Tan, pr	SOCKS, Cotton Tan, pr
SHOES, Service, pr	SHOES, Service, Pr
OVERCOAT/RAINCOAT	RAINCOAT
GLOVES, Wool OD	
(Fatigue detail or as ordered)	
HAT, Working	HAT, Working
JACKET, Working	JACKET, Working
TROUSERS, Working, pr	TROUSERS, Working, pr
BELT, Web, Waist	BELT, Web, Waist
SOCKS, Wool, pr	SOCKS, Wool, pr
SHOES, Service, pr	SHOES, Service, pr
OVERCOAT/RAINCOAT	RAINCOAT
GLOVES, Wool OD	

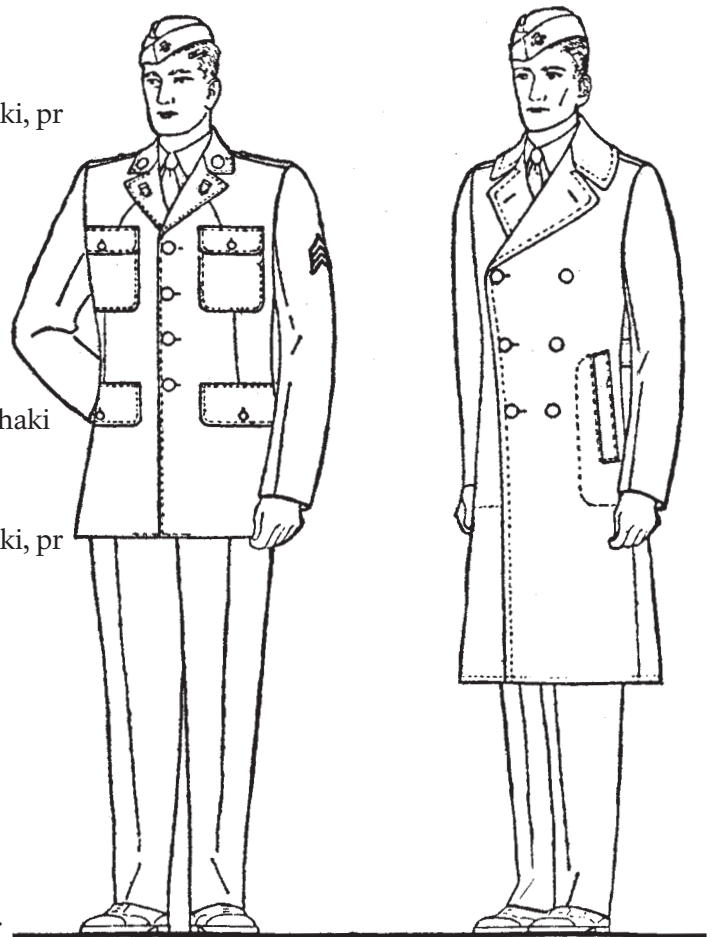


Figure 34

*Steel helmet and leggings added as ordered

FM 21-100, *Soldier's Handbook*, 23 Jul 41.

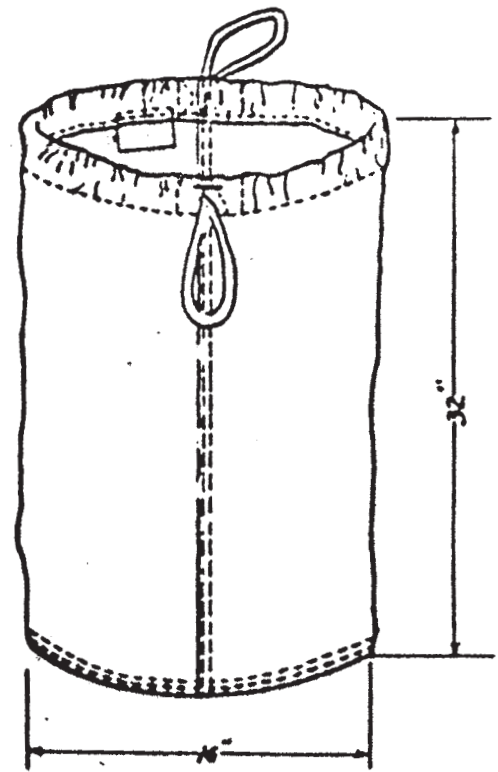
AGF GO 49 *Administrative Regulations*, FT Meade, MD, 30 Oct 44.

Description of Individual Equipment

BARRACK BAG

The BAG, *Barrack* (figure 35) was cylindrical, with a flat bottom and a top closed by drawstrings running inside a tabling. Sewn of 10-ounce white-back, indigo-blue denim, it was 24-1/2-inches by 17-1/8-inches, with cotton sash cord and brass grommets.

The barrack bag served as both laundry bag and suitcase. Issued in blue denim since 1909, it had the same pattern and the original shape until 1937, when it became shorter and wider. During World War II, it returned to the conventional 32-inch by 16-inch size, but changed to an OD-3 shade without brass grommets and with twisted cotton rope instead of braided sash cord to ease production. Although retained as a laundry hamper during peacetime, the barrack bag lost its personal luggage function with the adoption in 1943 of the OD-7 duck duffel bag with strap.



BAG, BARRACK, ILLUSTRATION

Figure 35

QM R&D History, u.p., pp 1673-75.

USA 6-245, Bag, Barrack, 4 Jan 37.

PQD 142, Bag, Barrack, OD, 27 Feb 42.

Ltr, QMG to PQD, 22 Dec 42, Subj: Bags, Barrack, OD.

CARTRIDGE BELT

The BELT, *Cartridge, Caliber .30, Dismounted, M-1923* (figure 36) had right and left five pocket sections fastening in front and adjusted with a buckled strap in the rear. Made of OD-3 duck, the 13-1/2-inch sections had 3/4-inch retaining straps and 3-inch pocket flaps, with "Lift-the-dot" fasteners.

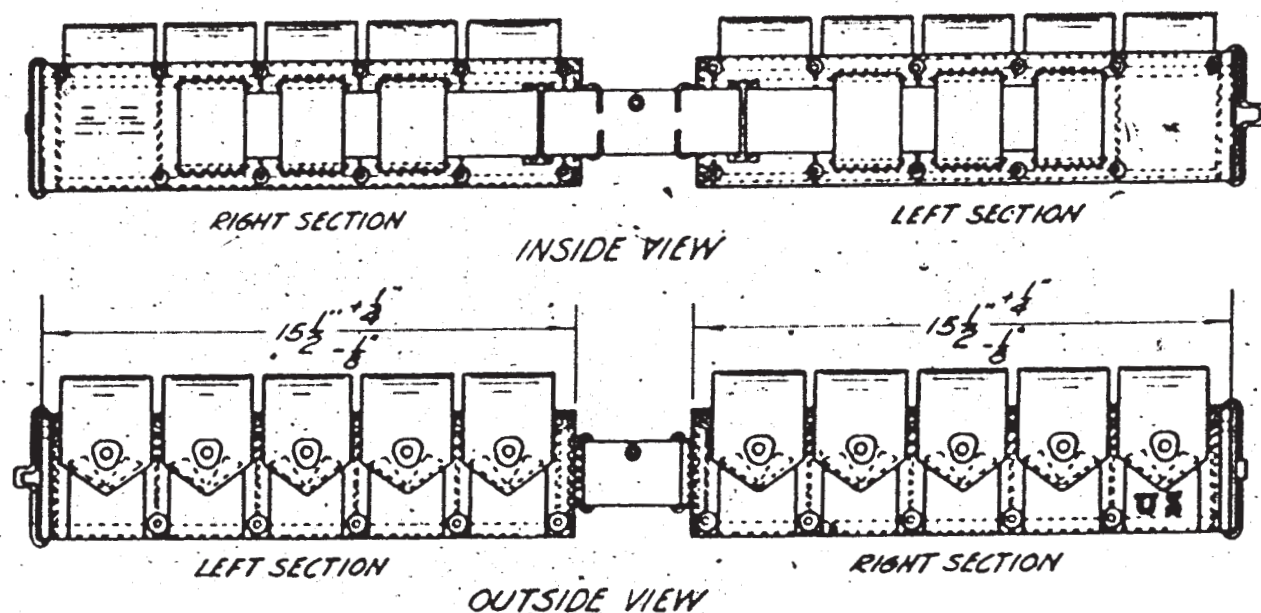


Figure 36

The Caliber .30 rifle required a pocketed cartridge belt. Each pocket carried two stripper clips of five rounds for the M-1903 or a block clip of eight for the later M-1 rifle. Early light-OD Ordnance Department belts, either M-1910 (woven pockets) or M-1917 (sewn pockets), adjusted the waist size with a rear strap that engaged metal eyelets, rather than web loops. During World War II, fittings were changed to black-painted steel or zinc, and during peacetime the belt used was a Quartermaster Corps belt of dark OD-7 web, without the unnecessary inside-retaining straps.

WD Doc 1718, *Description of Infantry Equipment, M-1910*, 2 Jul 14.

OQMG Cir 4, 1 Jun 39.

USA 6-180B *Belt Cartridge Caliber .30 Dismounted M-1923* 14 Oct 41

BLANKET

The *BLANKET, Wool, OD, M-1934* was rectangular, with cut ends over-stitched and large letters, "U.S." printed in the center. Woven with the "tucked nap" of industry, it measured 66-inches-wide and 84-inches-long, with a weight of 3-3/4 pounds.

The wool blanket was bedding for garrison and field service. First adopted in OD by 1905, it kept its size but varied its wool content in quality and weight from 3 to 5 pounds. During World War I, the construction was simplified by the elimination of the nineteenth century 3-inch border at each end and, for a time, the national monogram. Developments by 1934 improved the quality of wool and brought manufacturing into line with accepted textile industry standards. World War II brought scarcities that affected wool content, but the OD-36 wool blanket survived, only switching to OG-118 in 1953.

QM R&D History, u.p., pp 1489-92.

USA 8-111A, *Blanket, Wool, OD, M-1934*, 23 Aug 40

Ltr, QMG to TAG, 22 Nov 34, Subj: Blankets

CANTEEN, CUP, AND COVER

The *CANTEEN, M-1910* (figure 37) was flask shaped, with a flat bottom and concave side, fitted with an attached screw cap. Formed of aluminum, with side seams and a 1-quart capacity, it had a nickel-silver chain shackled from the cap to its neck ring.

The *CUP, Canteen, M-1910* (figure 38) fit the canteen and had a rolled lip and folding handle that engaged a sliding lock. Formed of seamless aluminum and noncorrosive metal, it provided a slot for insertion of the mess fork to extend the handle.

The *CANTEEN COVER, M-1910, Dismounted* (figure 39) housed the canteen and cup, with a neck closing and a rear double hook. Sewn of OD-3 duck and gray felt with a rear seam, it had a "U.S." quilted front, two flaps and bronze "Lift-the-Dot" fasteners.

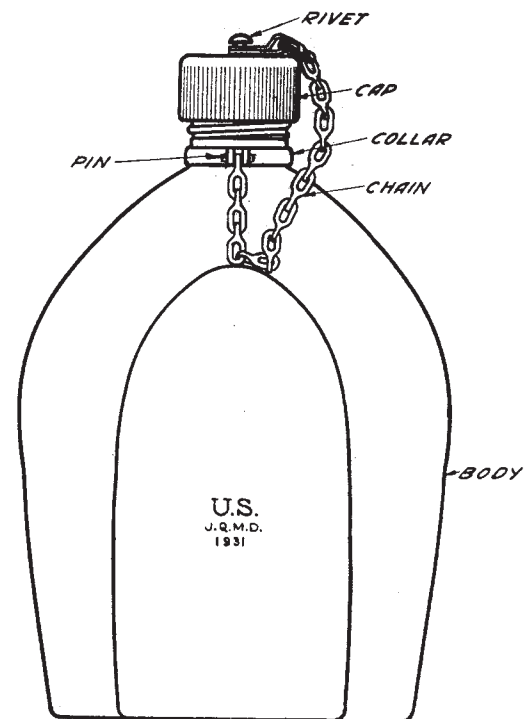


Figure 37

The canteen provided individual water supply for field duty. World War I industry abandoned the former seamless body for two-piece construction with vertical welded seams to increase production. During World War II, CRS (corrosion-resistant steel) with a horizontal seam was substituted and caps were made from black plastic. Cups came in either aluminum (rolled) or CRS (flared lip), while dismantled covers switched to a side-seam construction in 1941, OD-7 duck by 1943, and to a reinforced web hanger after 1944. During peacetime, the aluminum canteen was reunited with the cup and cover.

 QM R&D History, u.p., pp 1413-14, 2170-75.
 USA 28-16, *Canteen and Cup*, M-1910, 23 Mar 34.
 USA 6-220A, *Cover, Canteen, M-1917 and M-1910*, 21 Dec 37.
 OQMG Cir 4, 1 Nov 38.
 OQMG Cir 4, 1 Nov 39.

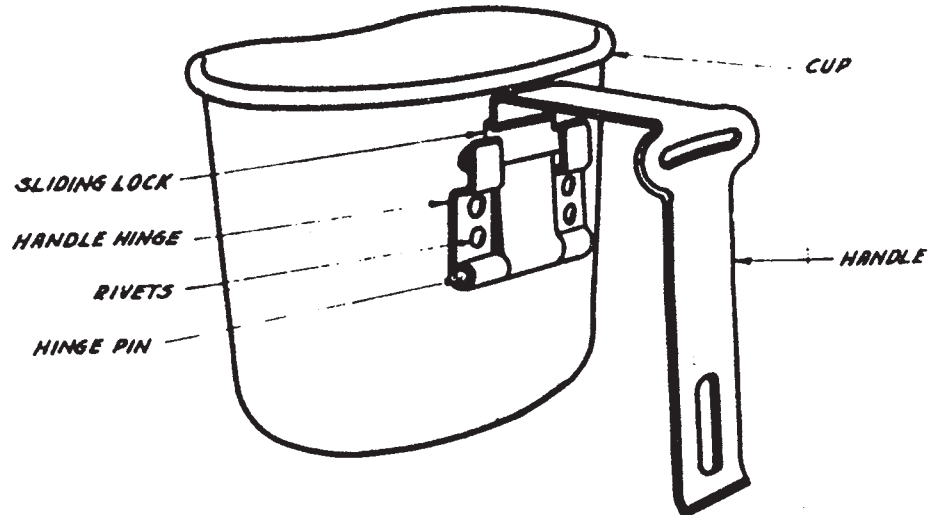


Figure 38

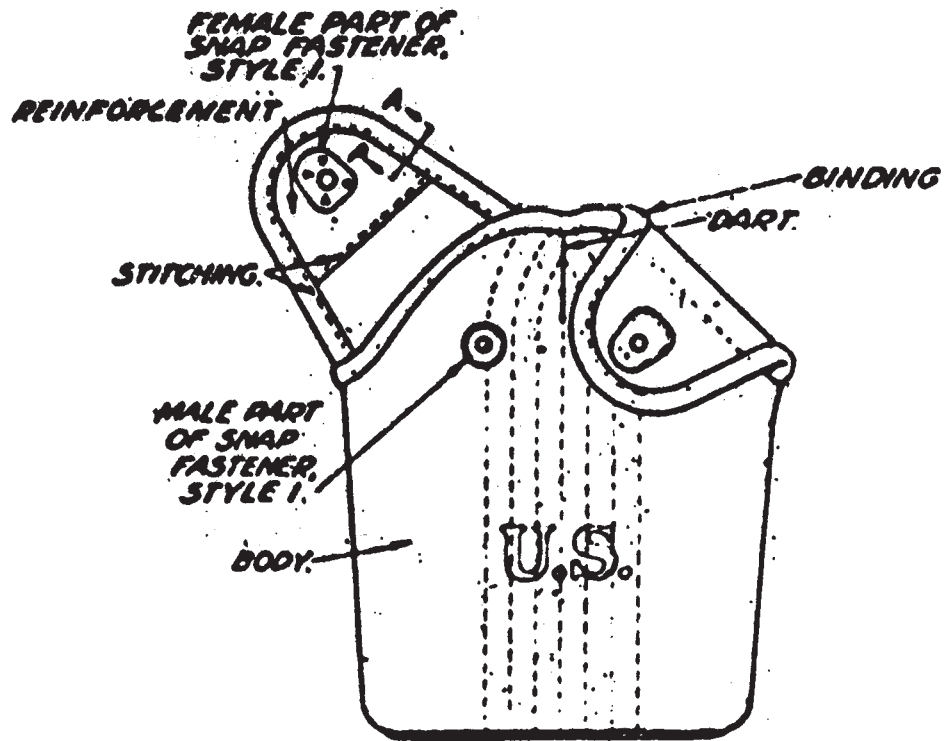


Figure 39

HAVERSACK AND PACK CARRIER

The *HAVERSACK, M-1928* (figure 40) was rectangular, with three binder straps, inside looped flap and an outside flap, hosting a meat-can pouch and bayonet and intrenching-tool tabs. Sewn of OD-3 duck, with bronze fittings, it was 16-1/2 inches high and 21 inches wide, with web pack suspenders attached by rivets, and belt suspenders adjusted by tab buckles that hooked to a belt.

The *CARRIER, Pack, M-1928* (figure 40) was triangular, with two binding straps, and eight perpendicular buttonholes that permitted interlacing a strap to couple it to the haversack. Sewn of OD-3 duck with bronze

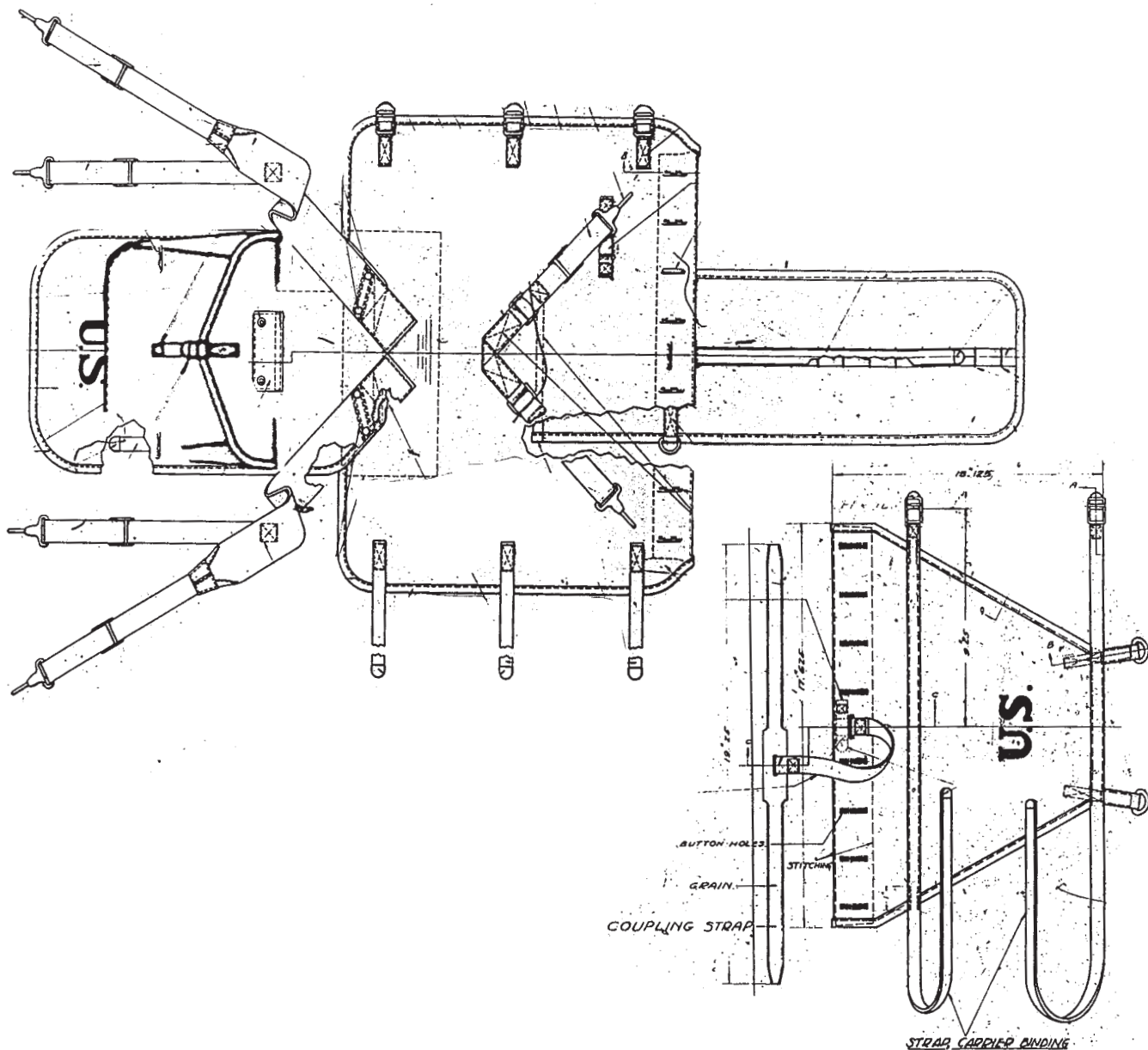


Figure 40

fittings, it was 13 inches high and 17½ inches wide, with adjustable tab buckles, lower suspension D-rings, and an attached russet-leather strap

The haversack and pack carrier bore all the full field load. The Ordnance Department made the early light-OD M-1910 equipment. It differed in its use of double-bar tongueless buckles, single, rather than double, rear-belt suspender, and metal-tack button instead of the tab buckle and billet on the meat-can pouch. World War II brought changes to Quartermaster Corps equipment. The pack suspender rivets disappeared and metal fittings became black-painted steel or zinc, before haversack and pack carrier combinations surrendered to new OD-7 field packs in 1943-44.

 QM R&D History, u.p., pp 1527;1677
 USA 6-163A, *Carrier, Pack, M-1928*, 19 Apr 37.
 USA 6-176A, *Haversack, M-1928*, 26 Apr 37.
 OQMG Cir 4, 1 Nov 38.
 USA 6-163B, *Carrier, Pack, M-1928*, 8 Oct 41.
 USA 6-176B, *Haversack, M-1928*, 13 Dec 41.
 USA 6-176(1), *Haversack, M-1928*, 24 Apr 42.

MESS KIT

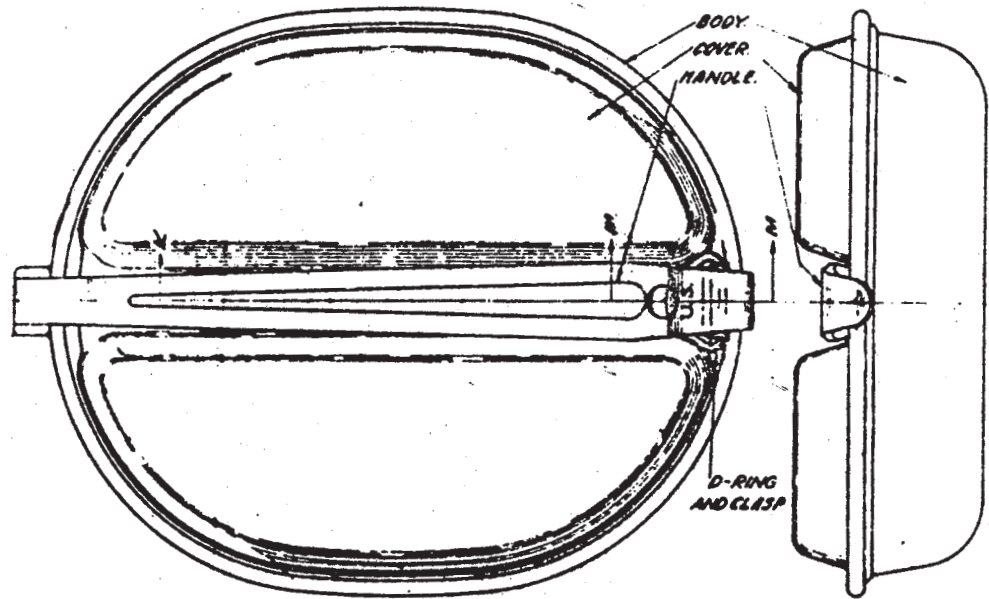
The *CAN, Meat, M-1932* (figure 41) was an oval pan, with a handle folding over a divided cover with D-ring. Made of steel and aluminum, it was 8 inches long, 6 inches wide and 1-2/3 inches deep.

The *FORK, M-1926* (figure 42) had four pointed tines at one end and an oval hole in the handle at the other. Made of stamped CRS, it was 7 inches long, with a 5-inch handle.

46

The *KNIFE, M-1926* (figure 42) had a pointed blade at one end and a cast handle with an oval hole at the other. Made of CRS and aluminum, it was 7-3/8 inches long, with a 3-21/32-inch handle.

The *SPOON, M-1926* (figure 42) had a large bowl at one end and an oval hole in the handle at the other. Made of stamped CRS, it was 7-7/16 inches long, with a 4-11/16-inch handle.



ASSEMBLY OF CAN, MEAT, M-1932

Figure 41

The meat can, fork, knife, and spoon formed the “mess kit.” From the original 1874-tinned iron, its classic two-piece design was refined by the use of malleable twentieth-century aluminum. In World War I, the shallow M-1910 (1-1/3-in) meat can deepened to the M-1918 (1-2/3-in), and the cover was divided in 1932. The long mess knife shrank in 1910 to fit the meat can, and each utensil handle added a hole in 1926 for hot wash-water dipping. World War II shortages established stamped-handle CRS meat cans, but the substitute black-plastic knife handle was soon gone.

QM R&D History, u.p., pp 2173–77.

America's Munitions, 1917-1918 (Washington: GPO, 1919) pp 231–32.

USA 28-15, *Knife, Fork and Spoon, M-1926*, 23 Mar 34.

USA 29-71B, *Meat Can, M-1932*, 12 Nov 37.

OQMG Cir 4, 1 Nov 39.

EQUAL SPACES

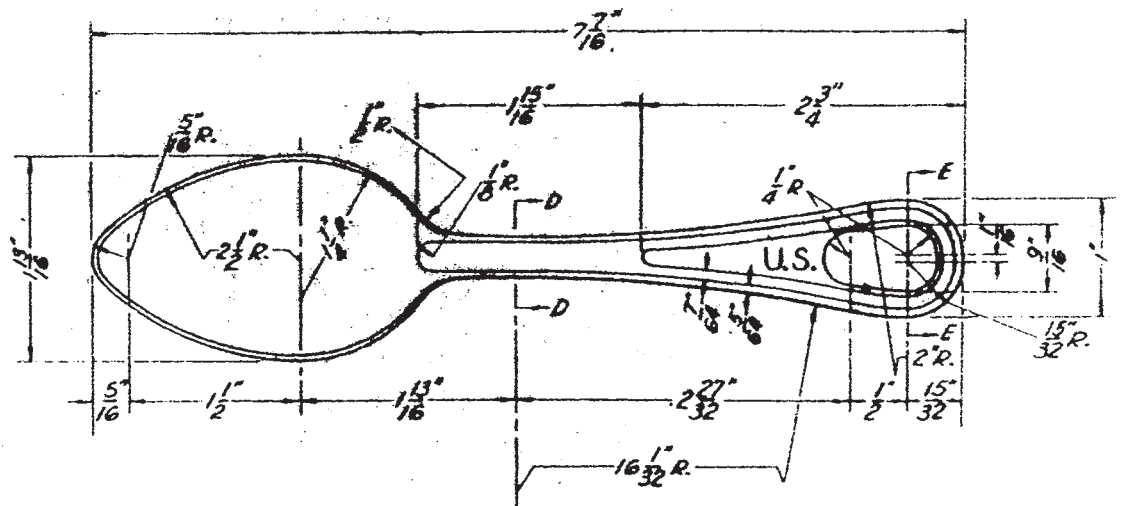
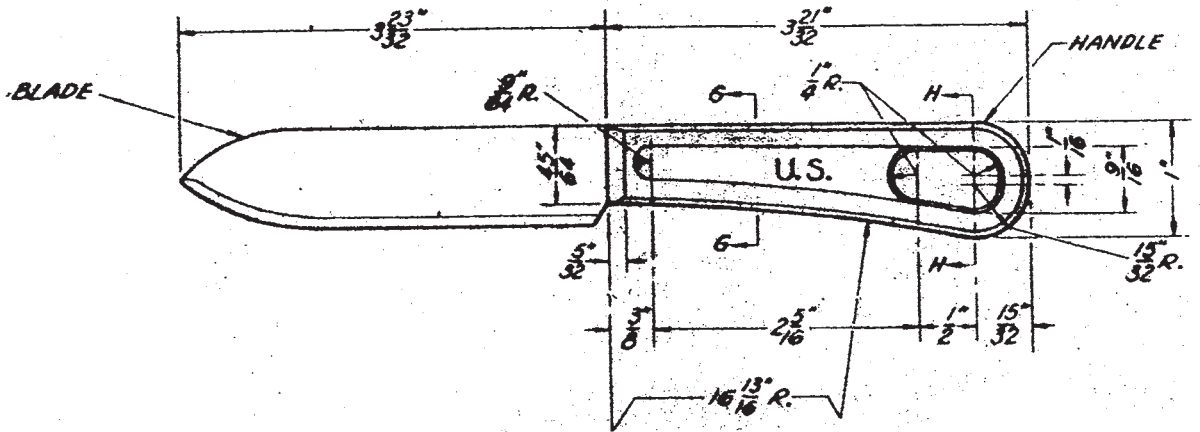
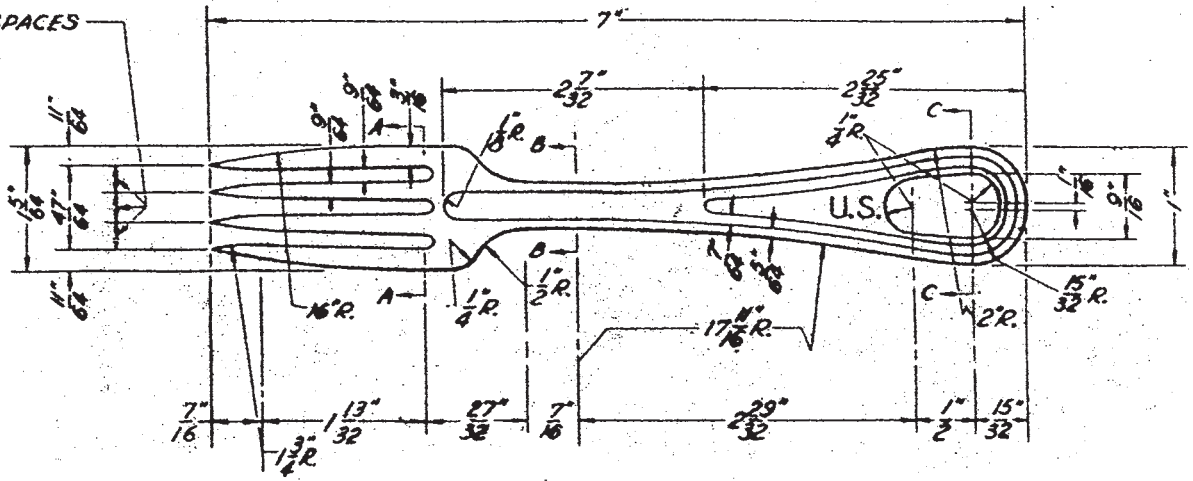


Figure 42

FIRST AID PACKET POUCH

The *POUCH, First Aid Packet, M-1924* (figure 43) was a flat one-piece pocket with a triangle-shaped flap and double hook. Sewn of OD-3 cotton webbing, it was 3 inches deep and 5-3/4 inches wide, with a bronze “Lift-the-Dot” fastener in front.

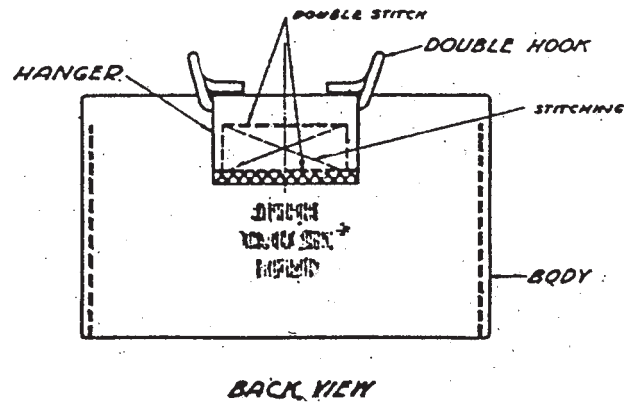
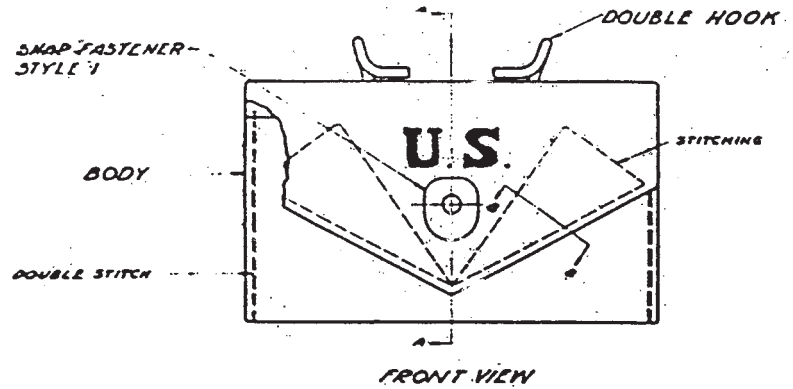


Figure 43

The web pouch ensured ready access to the first-aid packet. The Ordnance Department created the light-OD M-1910 pouch with a double hook and a flap closed by two bronze glove fasteners. The Quartermaster Corps developed a simpler version after 1924. Easily manufactured, this had only one “Lift-the-Dot” fastener. During World War II the fittings changed to black-painted steel and space was added for Medical Department sulfanilamide wound tablets. After the war, this 1/2-inch-deeper OD-7 M-1942 first-aid packet pouch continued to serve, doubling as a compass case.

 OQMG Cir 4, 1 Nov 38.
 Memo, SOS, Subj: Pouch, First Aid Packet, M-1942,
 20 Jan 43.

IDENTIFICATION TAGS

The *TAG, Identification, M-1940* (figure 44) was oval, with a hole in one end and a notch in the other. Stamped from monel (copper-nickel alloy), it was 2 inches long by 1-1/8 inches wide.

The *TAPE, Cotton, Identification Tag* strung two identification tags around the neck. Made of flat braid, 3/8-inch-wide and 40 inches long, it tied one tag 2-1/2 inches above the other.

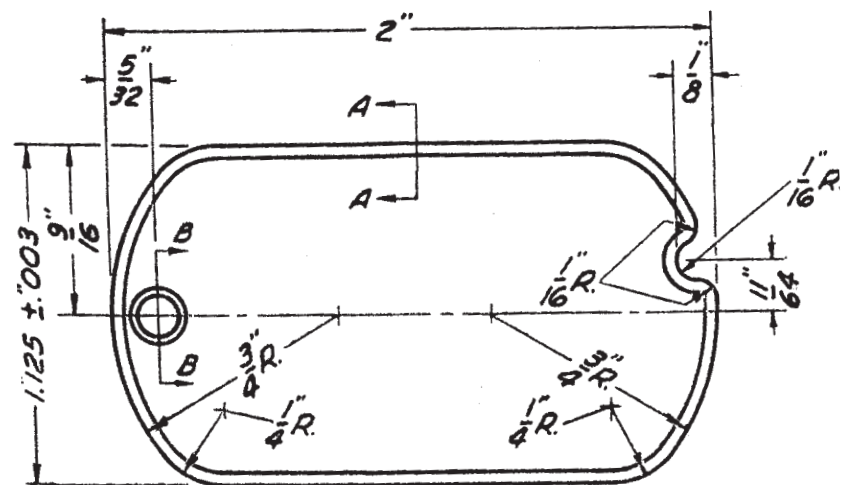


Figure 44

Battlefield casualties required individual identification. First adopted in 1906, the round aluminum tag changed to monel and an oval shape in 1940, to accommodate an emergency address. Security concerns for

prisoners of war dropped this need in 1942, but the shape remained, the curious notch present until 1965. Embossed, with the Graphotype machine, each tag contained five lines and 18-letter spaces of information as follows:

FIRST LINE:	(18 spaces)	Name (First, Middle Initial, Last)
SECOND LINE:	(1 st -8 th space)	Army Serial Number (see below)
	(9 th space)	Vacant
	(10 th space)	Letter "T" (tetanus immunization)
	(11 th -12 th space)	Year Date (tetanus immunization)
	(13 th space)	Vacant
	(14 th -15 th space)	Year Date (tetanus toxoid)
	(16 th space)	Vacant
	(17 th -18 th space)	Blood type ("A" "B" "AB" or "O")
THIRD LINE:	Name (for emergency)	
FOURTH LINE:	Street (for emergency)	
FIFTH LINE:	(1 st -16 th space)	City/State (for emergency)
	(18 th space)	Religion ("C" "H" or "P")

The Army Serial Number (ASN) began for EM in 1918, (1-5,999,999) continued after 1919, (6-7,999,999) and became encoded in 1940, (eight-digit numbers) as follows:

FIRST DIGIT:	"1"	=	Regular Army enlistment
	"20"	=	National Guard in Federal Service
	"3"	=	Selective Service inductee
SECOND DIGIT:	"1-9"	=	Corps Area service entry
	"01"	=	Hawaiian Department
	"02"	=	Panama Canal Department
	"03"	=	Philippine Department
	"04"	=	Puerto Rican Department

 AR 615-20, *Army Serial Numbers* 19 Jul 21.
 USA 6-258A, *Tape, Cotton, ID Tag*, 23 Jul 40.
 QMC Tent Spec, *Tag, Identification*, 8 Oct 40.
 WD Cir 142, 15 Jul 41.
 AR 615-20, *Army Serial Numbers*, 12 Feb 42.

SHELTER TENT

The *TENT, Shelter Half* (figure 45) was rectangular, with a single, triangular door, a parallel row of tack buttons and holes along the borders, and four foot stops (loops) at the bottom. Sewn of 7.9-ounce OD cotton duck, it was 65 inches long by 61 inches wide, with a 57-inch by 52-inch door and an 85-inch gilling guy line tied to one of the duck loops and brass grommets at each peak.

The *POLE, Shelter Tent, Folding* (figure 45) was round, with two hinges and sleeves. Turned of wood with brass fittings, it had two 14-5/8-inch and one 13-7/8-inch folding sections.

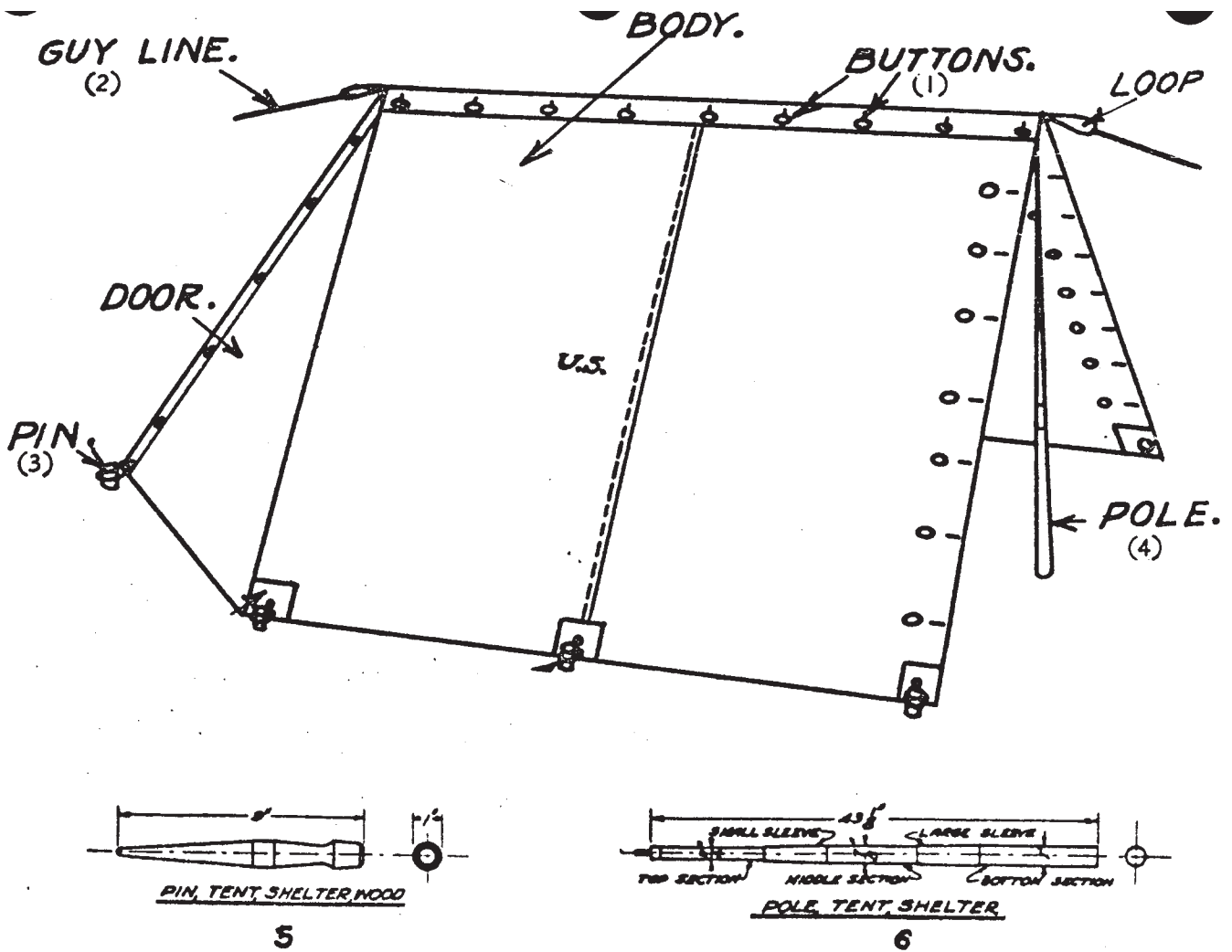


Figure 45

The *PIN, Shelter Tent* (figure 45) was round, with a conical head for the foot stops and a body tapering to a point. Turned from wood, it was 9 inches long and 1 inch thick, with a 9/16-inch head.

The shelter tent was portable protection from the elements. France exported the Civil War “pup tent” of two buttoned halves. During World War II, the M-1941 included a second door in its open end, but fabric shortages delayed issue of “new-type” until the War’s end. The tent pole left old equal-length sections for compact bundling and scarce brass fittings for steel by 1942, while three-section copies of the German M-1899 replaced the folding pole in 1944. The pin stayed the trusty 1879-wood pattern, despite an aluminum replacement, and secured shelter tents for years to come.

 QM R&D History, u.p., pp 1717-18;1739-40; 1751-55.
 FED K-T-211, *Tents, Duck (Khaki and OD) and Accessories*, 3 May 32
 OQMG Cir 4, 1 Nov 38.
 JQD 55, *Tent, Shelter Half*, 15 Jan 42.
 JQD 55A, *Tent, Shelter Half*, 15 Feb 42.
 JQD 89, *Pole, Folding and Pin for Shelter Tent*, 11 Mar 42.
 JQD 55B, *Tent, Shelter Half*, 30 Mar 42.

TOILET SET

The *BRUSH, Shaving* (figure 46, 1) had a round handle, with ferule-set domed bristles. Made of wood, black synthetic and white bristle, it was 3-7/8 inches long and 1-7/8 inches across.

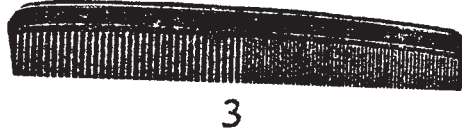
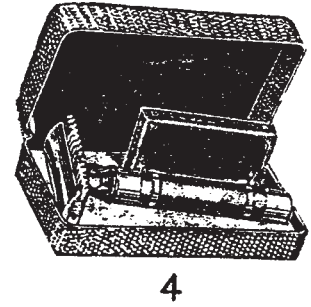


Figure 46

The *BRUSH, Tooth* (figure 46, 2) had a handle, with a hole at one end and tufted or sloping

bristles at the other. Colored plastic, it was 6 inches long, with 24-34 knot white bristles.

The *COMB, Rubber (Hard)* (figure 46, 3) had a handle with equal coarse and fine teeth. Polished in black, with gold "U.S. ARMY;" it was 7 to 8 inches long and tapered from 1-1/8-inch to 7/8-inch wide.

The *RAZOR, Safety w/5 blades* (figure 46, 4) had a threaded-post handle, cap and a double-edge blade guard. Cast of brass, it was 3 inches long, in a 2-inch by 3-1/2-inch by 1-1/4-inch fabric-covered box.

The toilet set promoted hygiene and grooming among recruits. Its contents reflected early twentieth-century commercial products. During World War II, new synthetics replaced scarce critical materials. In 1941, black plastic eliminated the hard-rubber comb and brass razor, and a year later was used for molded shaving brush handles and new patterns of telescopic, sliding and hinged razor cases. Nylon was substituted for hog bristles in the toothbrush by 1943, and the next year, replaced those in the shaving brush also. Ceasing issue in 1949, toilet sets remained in sundry packs.

QM R&D History, u.p., pp 1376-81.

FED H-B-671, *Brushes, Tooth*, 7 Mar 33.

FED ZZ-C-551, *Combs, Rubber (Hard)*, 8 Jan 35.

OQMG Cir 4, 1 Nov 38.

USA 22-194, *Razors, Safety and Blades, Safety Razor*, 28 Dec 40.

FED H-B-571a, *Brushes, Shaving*, 30 Jun 41.

OQMG 21, *Comb, Plastic*, 29 Oct 41.

FED H-B-671a, *Brushes, Tooth*, 4 Aug 42.

JCQD 7 *Razor, Safety, Plastic, and Case, Razor, Plastic* 5 Aug 42.

TOWELS

The *TOWEL, Bath* was rectangular, with selvage edges and sewn ends. Woven in white-cotton terry, it was 22 inches wide and 44 inches long, with a 2-inch plain border above a 1/2- to 3/4-inch hem.

The *TOWEL, Huck* was rectangular, with selvage edges and sewn ends. Woven in white huckabuck, it was 16 inches wide by 32 inches long, with a fancy border, 1-inch, or plain 2-inch, above a 1/4-inch hem.

The towel supplied a recruit with a hygiene convenience. Although huckabuck-cotton face towels were common issue by 1908, it was not until 1940 that the cotton-terry bath towel arrived. World War II made changes to these simple textile supply items. Both were dyed an OD-3 shade in 1943, to camouflage white items. Then 1944 reduced recruit issue by eliminating the huck towels. At the same time, the War Production Board conserved material by shrinking the bath-towel size to 20 inches by 40 inches, with a 1/4-inch hem. During peacetime, bath towels returned to a white color but not their original size.

 WD Cir 13, 27 Jan 40.
 PQD 329A, *Towels, Bath, OD*, 10 May 43.
 PQD 402, *Towels, Face*, 1 Nov 43.
 WPB, Program Determination 671 (Adm 4), 31 Oct 44.
 FED DDD-T-551b, *Towels, Terry Cloth*, 19 Feb 50.
 FED DDD-T-531a, *Towels, Huck*, 25 May 50.

52

Organizational Equipment

Description of Organizational Equipment

Upon assignment to a unit, each dismounted soldier received T/BA organizational equipment, as follows:

Chemical Warfare Equipment

MASK, service, gas 1

Medical Equipment

PACKET, first aid 1

Ordnance Equipment

RIFLE, caliber .30 1

SLING, gun, M-1907 1

BAYONET, M-1905 1

SCABBARD, bayonet, M-1910 1

 T/BA 4 *Coast Artillery* 1 Jan 39.
 T/O 4-37 *Coast Artillery Battery 155-mm Gun (TD)*, 1 Nov 40.
 T/O 4-67 *Coast Artillery Battery (HD)*, 1 Nov 40.

GAS MASK

The *MASK, Service, Gas, MIA2-MIXA1-MIVA1* (figure 47) had a facepiece, with screw-type eye pieces, outlet valve and guard, connected to a filter in a carrier with shoulder and body straps. Made of stockinette-covered rubber, with a 27-inch hose, it had a 6-1/2-inch by 4-5/8-inch by 3-inch OD-painted metal canister and an OD-duck carrier, with 2-inch straps and "Lift-the-dot" fasteners.

The gas mask offered protection during chemical warfare. After World War I, a new MI-I-I stockinette facepiece and OD-duck side carrier replaced the small-box respirator worn on the chest. By 1934, the MIA1 had removable glass eyepieces and head harness, and in 1942 the all-rubber facepiece had plastic triangular eyepieces with MII plastic or MIIA1 rubber-covered outlet valves. The lightweight MIII-X-VI with a shorter

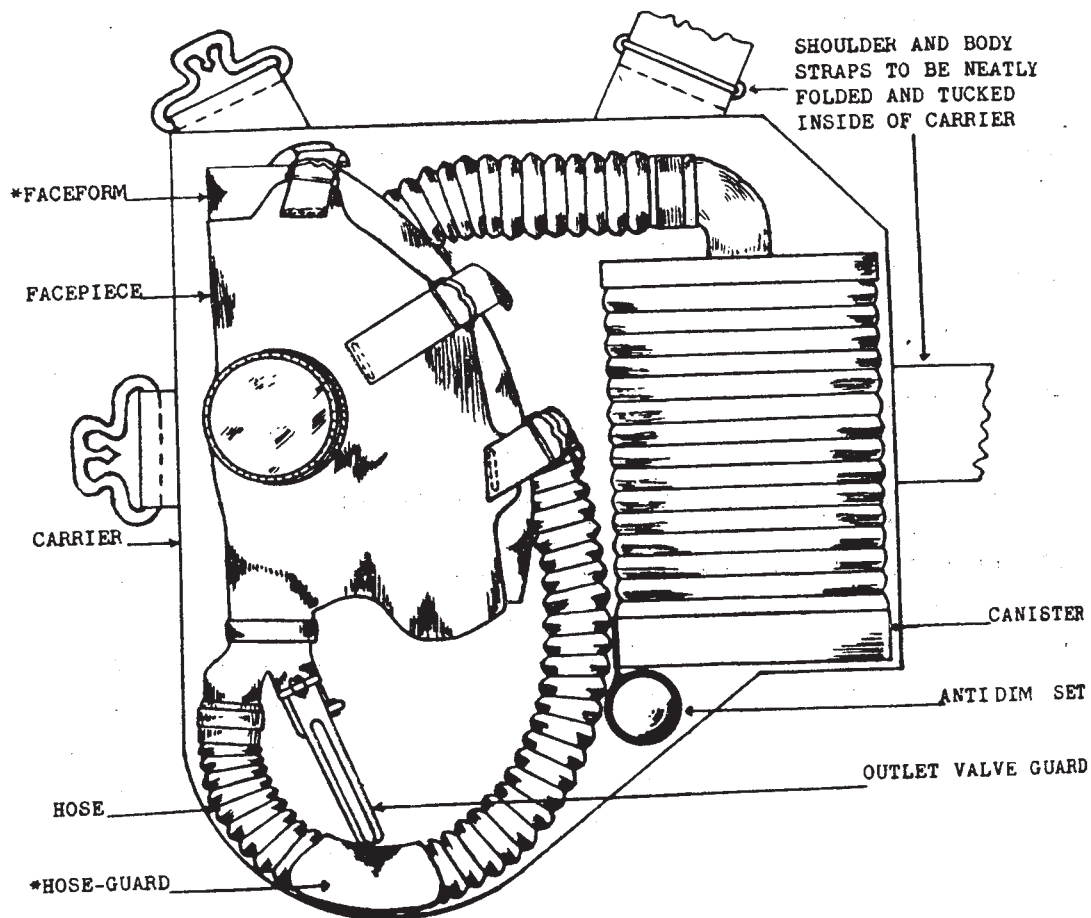


Figure 47

hose, round canister and three-fastener, rectangular, OD-7 carrier was developed during World War II. After the war the hose was removed; the new M-9 had a cheek canister.

 TM 3-205, *The Gas Mask*, 9 Oct 41

Waitt, "Gas Masks" *Army Ordnance*, XIV, 81 (Nov-Dec 33) pp 150-55.

"The New Gas Mask," *Quartermaster Review*, May-Jun 1923, pp 17-18.

SLINGING THE GAS MASK

The soldier slung the GAS MASK CARRIER (figure 48) before the full field equipment, as follows:

The LEFT HAND held the carrier near the shoulder strap eye clasp, waist high in front of body, with fasteners next to body.

The RIGHT HAND straightened the adjusted shoulder strap and extended it completely to the right.

The RIGHT HAND swung the shoulder strap to the left, passing it around the left elbow.

The RIGHT HAND passed the shoulder strap behind the neck and over the right shoulder.

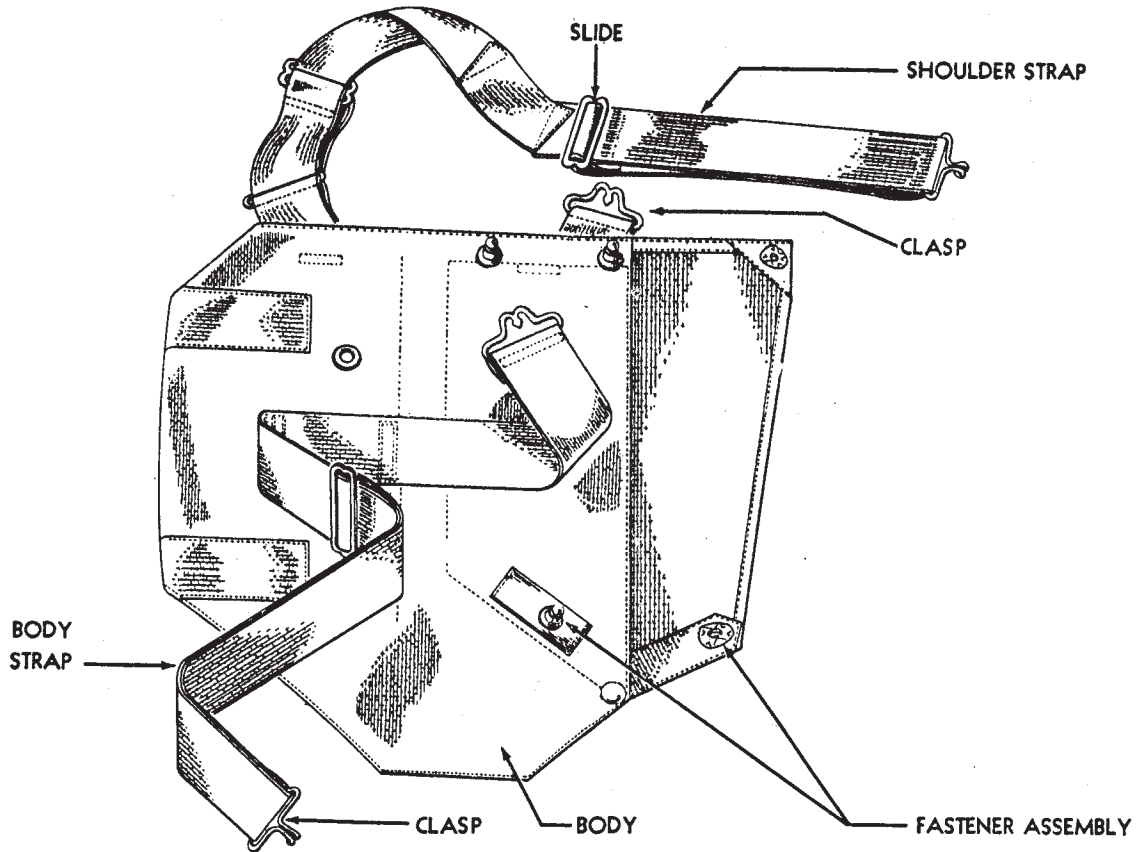


Figure 48

The LEFT and RIGHT HAND coupled hook clasp of the shoulder strap to the upper eye clasp of the carrier.

The RIGHT HAND passed the adjusted body strap around the waist, from the back to the front.

The LEFT and RIGHT HAND coupled the hook clasp of the body strap to the lower eye clasp on the carrier.

Proper adjustment had the shoulder strap web offset in the center and the carrier one hand-width below the left armpit.

After slinging full field equipment, the soldier unfastened the left haversack pack suspender, passed it behind gas mask shoulder strap, and refastened in an eyelet on cartridge belt.

 FM 21-40, *Defense Against Chemical Attack*, 1 May 40.
 TM 3-205, *The Gas Mask*, 2 Mar 51.

FIRST AID PACKET

The *PACKET, First Aid, Carlisle Model* (figure 49) was a split-end bandage housed in a rectangular, tape-opened container. Made of cotton, it had a 5-inch by 7-inch pad sewn to 4-1/2-inch by 72-inch gauze in an OD-painted brass, 2-1/4-inch by 4-inch by 1-inch packet.

The first-aid packet provided an individual wound dressing. The M-1907 had two gauze dressings and safety pin fasteners, sealed in a soldered brass packet to be opened by a D-ring pull. Improvements by the Field Medical School in Carlisle, Pennsylvania, eliminated the pins and enclosed a single bandage in a two-piece container. During World War II, the packet was camouflage brown and included sulfanilamide wound powder. Conservation measures tried packets of copper, steel, and plastic but adopted a successful paper-laminated foil paper after 1943. Well packaged, first aid packets prepared for future wounds.

Wolfe, *Medical Dept of USA in World War, III* (Wash: GPO 1928).
 USA 10-2056A, *Packet, First Aid, Carlisle Model*, 14 May 28.
 FM 21-11, *First Aid For Soldiers*, 7 Apr 43.
Medical Supply in World War II, OTSG, (Wash: GPO, 1968) pp 66-67.

RIFLE AND SLING

The US RIFLE, *Caliber .30, M-1903* (figure 50) had a Mauser-design bolt action, with a hood-protected blade front sight and a folding-leaf rear sight, adjustable for wind-age and elevation. Milled of steel,

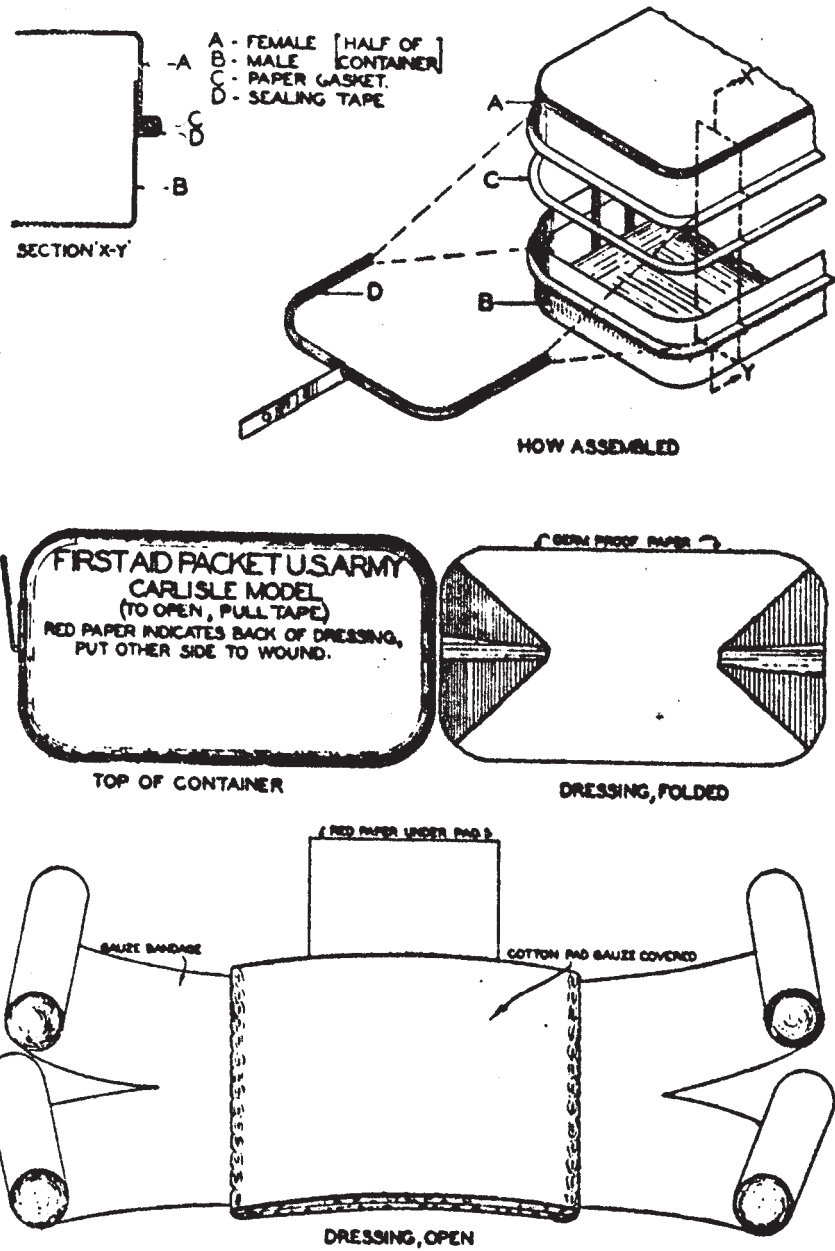


Figure 49

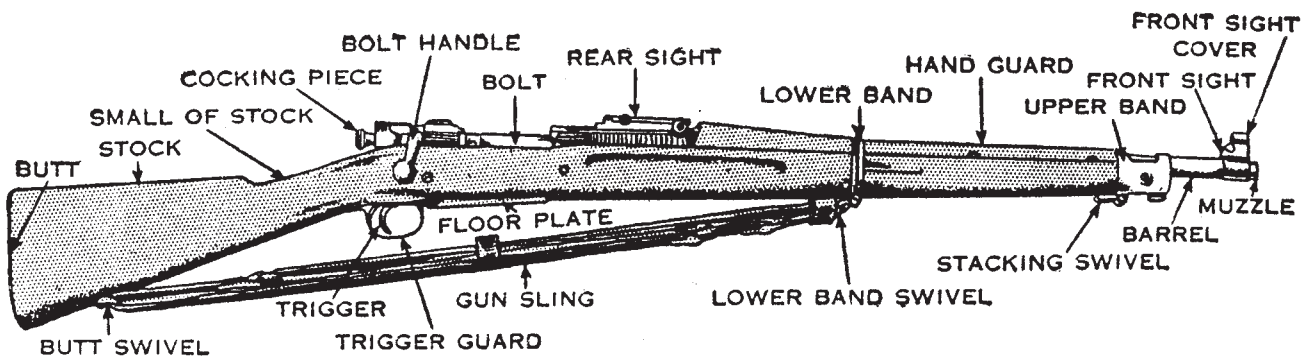


Figure 50

with a walnut stock, it was 43-1/2 inches long, with a 24-inch barrel and a 9-pound weight, and had an integral magazine capacity of five caliber .30 cartridges

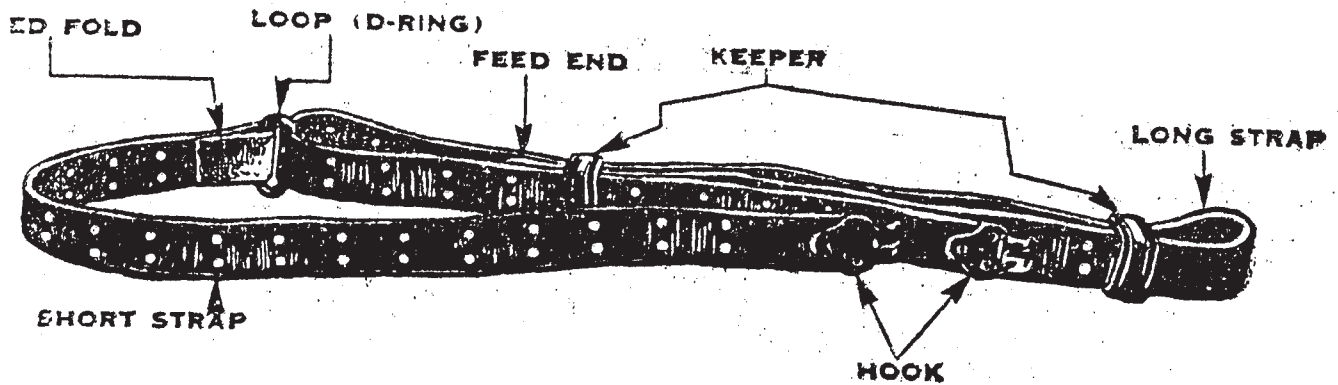


Figure 51

The *SLING, gun, M-1907* (figure 51) had short and long straps joined by a D-ring and adjusted by double-hooks. Made of russet leather, with bronze fittings, it had two sliding keepers.

The M-1903 rifle gave accurate and long-range magazine fire. In 1929, a Type "C" pistol grip replaced the grasping grooves of the Type "S" stock to become the M-1903A1, while 1942 industry stamped out the M-1903A3, adding metal "ears" to its ramp sight. During World War II, the semiautomatic "Garand" M-1 rifle was introduced. It used an 8-round block clip, relegating the magazine rifle to the role of substitute standard for the then-scarce new M-1 carbine. After the War, the M-1903 rifle, its leather gun sling replaced by OD web M-1, remained in service as the preferred weapon of snipers.

FM 23-10, *U.S. Rifle, Cal. .30, M-1903*, 2 Jan 40.

WD Cir 231, 3 Nov 41.

TM 9-1270, *U.S. Rifles, Cal. .30, M-1903/A1/A3 and A4*, 20 Jan 44.

Catalog of Standard Ordnance Items, III, OTCO, 1 Mar 44.

ORD 7 SNL B-3, *Rifle, Cal. .30, M-1903 M-1903A1 M-1903A3* 15 Nov 44

ADJUSTING THE RIFLE SLING

With the rifle on a flat surface, sights down, and the leather short and long straps alongside, hooks to the left and grain side down, the soldier adjusted the GUN SLING (figure 51) as follows:

The LEFT HAND clenched the sewn fold of the short strap and the RIGHT HAND worked the D-ring over the hook of the long strap.

The LEFT HAND thrust the first keeper, sewn side up, over the long strap hook, and the RIGHT HAND pulled the feed end through the keeper.

The RIGHT HAND picked up the second keeper, sewn side down, and the LEFT HAND inserted the feed end of the long strap.

The LEFT HAND pulled the feed end of the long strap through the lower band swivel, held by the RIGHT HAND, in the direction of the muzzle.

The RIGHT HAND pulled the feed end of the long strap through the second keeper, held by the LEFT HAND, in the direction of the butt.

The LEFT HAND picked up the hook of the long strap and inserted the prongs in the ninth pair of holes from the feed end of the long strap.

The RIGHT HAND picked up the hook of the short strap and inserted the hook through the butt swivel.

The LEFT HAND pulled the short strap through the butt swivel and inserted the prongs in the pair of holes closest to the hook of the long strap.

Tightening the gun sling required forcing the inside strap toward the butt of the rifle and the outside strap toward the muzzle, while pushing the upper keeper against the lower band swivel and the lower keeper toward the muzzle, past the feed end of the long strap.

FM 23-10, *U.S. Rifle, Caliber .30, M-1903*, 30 Sep 43.

BAYONET AND SCABBARD

The *BAYONET, M-1905* (figure 52) was a knife, with bird-beak pommel and T-slot and with guard, catch, and muzzle ring. Milled from steel, it had 2-piece walnut grips and a 16-inch blade.

The *SCABBARD, Bayonet, M-1910* (figure 52) was shaped to the M-1905 bayonet. Made of rawhide and wood, it was 17-1/2 inches long, with an OD-cotton cover, leather tip, and double-hook fastener.

The M-1905 bayonet fixed to the rifle for close-in combat. Introduced with the M-1892 Krag-Jorgensen rifle, the knife bayonet featured a 6-inch-longer blade in 1905, when President Theodore Roosevelt thought it too short for the 24-inch barrel of the M-1903 rifle. During World War II, black-plastic grips were added, the blade length was cut to 10 inches for the Cavalry (redesignated M-1905E1 or later M-1) and the Beckwith Co. M-3 (long) or M-7 (short) plastic scabbards were adopted. Post-war M-1905 bayonets, shortened and housed in new scabbards, kept a cutting edge fixed to the semiautomatic rifle for years.

WD 1923 *United States Rifle, Caliber .30, Model of 1903*
22 Jan 17
Catalog of Standard Ordnance Items, III, OTCO, 1 Mar 44.
ORD 7 SNL B-3 *Rifle, Cal .30, M-1903 M-1903A1 M-1903A3*,
15 Nov 44
Record of Army Ordnance R&D, I (Washington: OTCO, Jan 46).

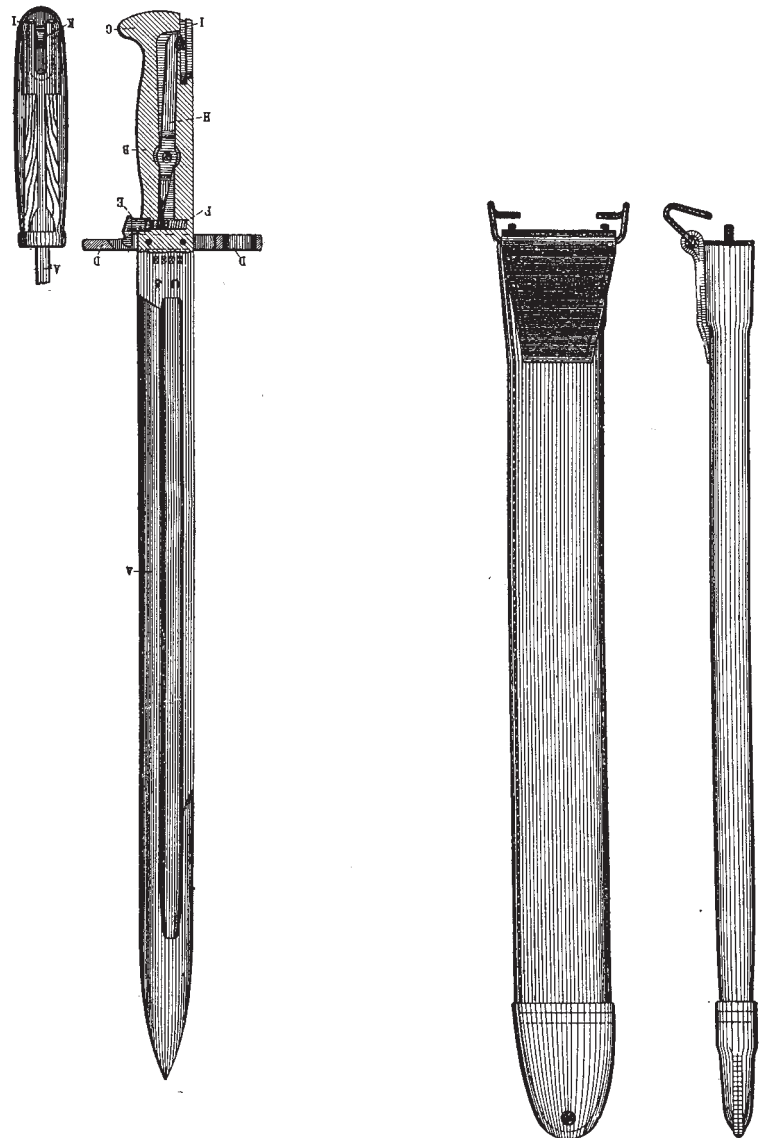


Figure 52

ASSEMBLY
OF FIELD
EQUIPMENT

58 Training provided for assembly and wear of FULL FIELD EQUIPMENT (figure 53) and unit SOP and movement defined the load. The soldier assembled the full field equipment, maintained in barracks, worn for daily drill, and carried on field service, as follows:

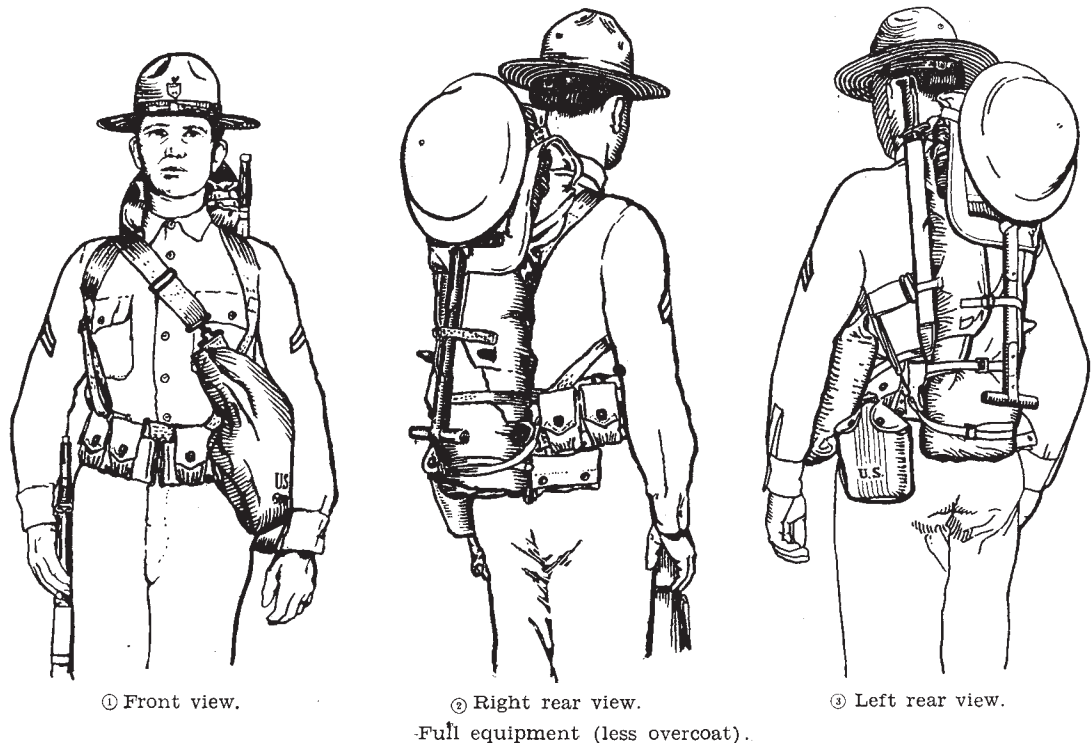


Figure 53

The *BELT, Cartridge, Caliber .30, Dismounted* fit loosely on the hips with the rear adjusting strap. The *POUCH, First Aid Packet*, containing the *PACKET, First Aid*, attached on the right hip, below the fifth pocket, and the *CANTEEN, M-1910*, nestled in its *CUP, Canteen, M-1910* and *COVER, Canteen, Dismounted, M-1910*, attached on the left hip, below the fifth pocket. For drill, the *SCABBARD, Bayonet, M-1910* fastened below the third pocket on the left, with *BAYONET, M-1905* ring to front.

The *HAVERSACK* and *CARRIER, Pack* joined by passing leather coupling strap through the aligned button-holes. The rear belt suspenders engaged eyelets on the back of the cartridge belt, and the front belt suspenders, eyelets between the first and second pockets on each side. The *CAN, Meat* and *KNIFE, FORK and SPOON* went into the meat can pouch on the haversack outer flap.

The “pack” consisted of *TENT, Shelter, Half*, folded in half enclosing the triangle end, a *BLANKET, Wool, OD, M-1934*, doubled over in a 17-inch by 42-inch fold, and the *POLE, Tent, Shelter*, five *PINS, Tent, Shelter, Wood* and guy line. The extra *DRAWERS, Cotton, shorts*; *HANDKERCHIEF*; *SOCKS, Wool, Light*; and *UNDERSHIRT, Summer, Sleeveless* went between the folds. The shelter tent folded over the blanket and rolled tightly into a 10-inch pocket formed at the other end, creating the “envelope roll.”

To assemble the equipment, without rations, the inside haversack flap folded over a rolled *TOWEL, Huck* enclosing the *Brush, Shaving*; *Brush, Tooth*; *Comb, Rubber, Hard*; *RAZOR, Safety with 5 Blades* (if ordered), and fastened the upper haversack binding strap. With the pack carrier, folded to reduce its length, the middle and lower haversack, and both carrier, binding straps secured the roll, opening down. The inside haversack strap, passing under the middle haversack binding strap, closed the outside flap of the haversack. The pack suspenders, adjusted for length, engaged the suspension D-rings on the pack carrier.

If ordered, the *RAINCOAT*, *dismounted*, folded into a 8-1/2-inch by 10-1/2-inch rectangle, went beneath the haversack outer flap, fastened by the inside haversack binding strap, and the *HELMET*, *Steel* on the meat can pouch, hung by means of the web-chin strap.

FM 21-15, *Equipment, Clothing and Tent Pitching*, 1 Oct 40.

Station Property – Barracks

While assigned to a duty station, each organization received station property for use in barracks as follows:

59

Ordnance Equipment:

RACK, arm Sufficient for arms issued

Quartermaster Equipment:

BEDSTEAD, single	1 per EM in permanent barracks
or	
COT, steel	1 per EM in temporary barracks
or	
COT, canvas, folding	1 per EM in temporary camps
HOLDER, card, bedstead	1 per bedstead
LOCKER, trunk	1 per EM
LOCKER, wall	1 single or 1/2 double per EM
MATTRESS, cotton (felted)	1 per single bed
PILLOW	1 per single bed
COVER, mattress, cotton	2 per mattress issued
COMFORTER, cotton-filled	1 (ILO 1 T/BA blanket)
PILLOWCASE	2 per pillow issued EM
SHEET, cotton	4 per mattress issued EM
CHAIR, barracks	1 per NCO; each 3 EM
EXTINGUISHER, 2-1/2-gallon S&A	1 per barracks
BUCKET, fire, galvanized	4 per barracks

T/A *Equipment for Posts, Camps and Stations* 1 Sep 34

WD Cir 93, 24 Aug 40

WD Cir 102, 14 Sep 40

Description of Barracks Station Property

ARM RACK

The *RACK, Arm, Rifle, M-1920* (figure 54) held weapons upright, arranged in a circle, with muzzles locked in place. Forged of metal, it had a pedestal with 20 stock openings and notched top disc, connected by a 48-inch column with cap.

The arm rack provided security for weapons in the barracks. In 1880, circular, free-standing examples in wood appeared, while metal patterns soon accommodated the changing models of weapons. The combination M-1913 was a design for both rifles and pistols. The M-1920 series provided for various types of weapons with the attaching of several different assemblies to a central column. World War II necessitated the use of wood, in the new wedge-shaped M-1 for rifles or the M-3 for a combination of weapons. Peacetime arm racks to come, followed their locking-bar lead.

 WD 1879 Price List of Ordnance and Ordnance Stores, Rev 29 Jan 17
 ORD 9 SNL B-16 Arm Locker Rack Repair Chest & Pistol Kit 6 Sep 43

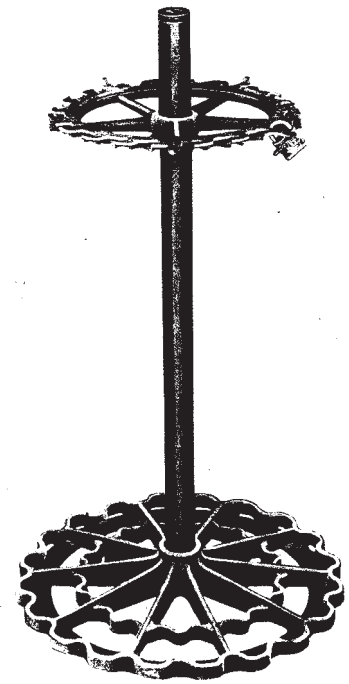
BUNKS

The *BEDSTEAD, Single, M-1938* (figure 55) was two curved ends hooked to an arched rail frame, with link-meshed springs. Welded of 1-1/2-inch steel tubing, painted aluminum, the 31-inch ends supported the 34-inch by 78-inch “fabric” at a 17-inch height.

The *COT, Folding, Steel* (figure 56) was two curved ends hinged to a frame, with link-springs and narrow support bands. Welded of 1-inch tubing, with 1/2-inch cross rod, painted aluminum, the 23-7/8-inch ends held 30-inch by 80-inch “fabric” at a 17-inch height.

The *COT, Folding, Canvas* (figure 57) was three sets of legs hinged to collapsible side rails, with a slip-on cover. Made of wood and OD-cotton duck, the 27-inch by 77-1/2-inch frame used a stick stretched across each end to erect a 17-inch height.

Bunks gave health and comfort to the garrison soldier. Post-Civil War sanitation called for a “cold-cast” iron bunk. The 1914-pattern, with white, 31-1/2-inch foot, 36-



Rack, Arm, Rifle, M1920

Figure 54

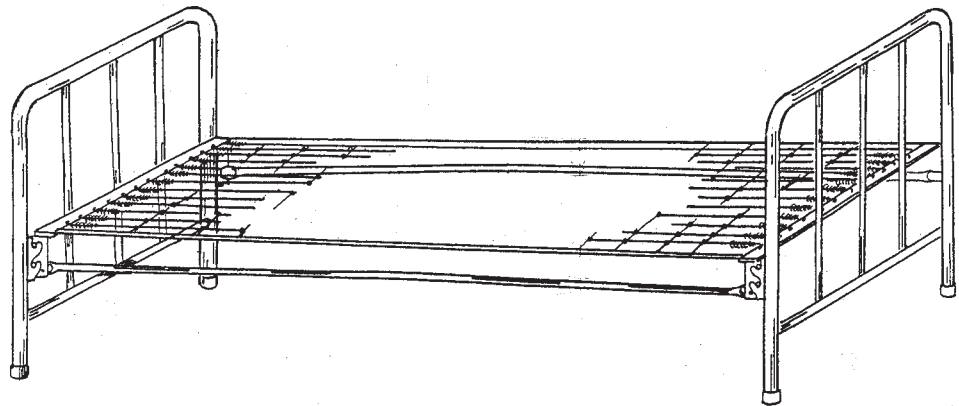
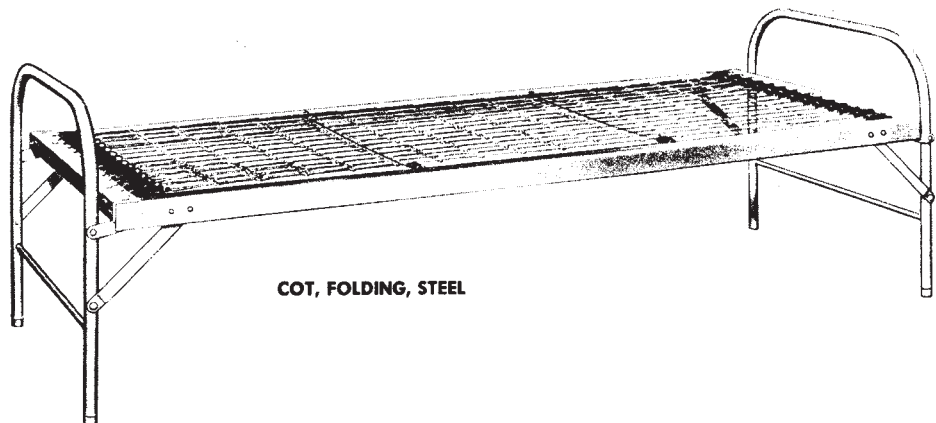


Figure 55



COT, FOLDING, STEEL

Figure 56

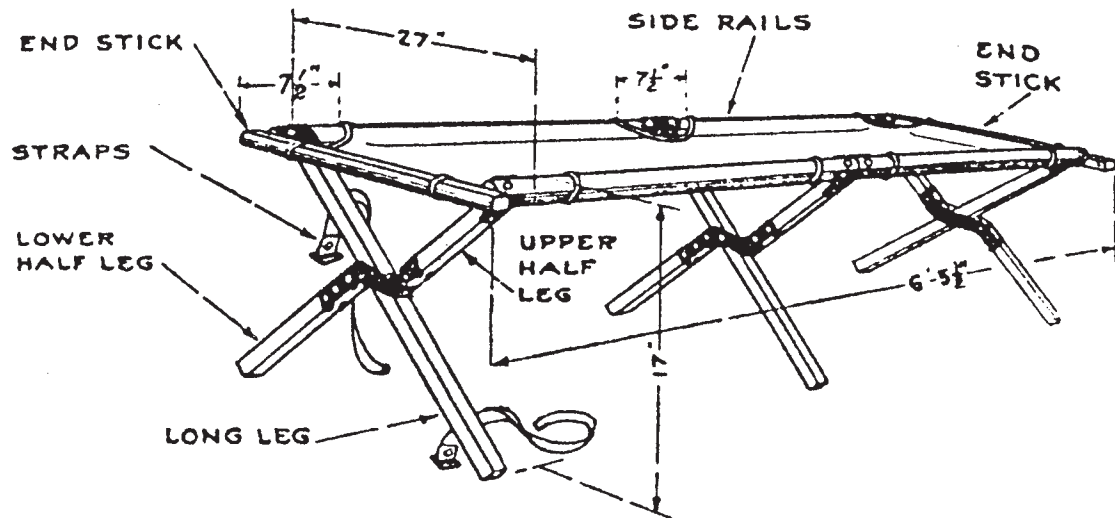


Figure 57

inch head and the Quartermaster insignia, lasted until industry used welded steel. Steel folding cots, for temporary use, might be the black 1918-Liberty, the aluminum, the OD with 1943, double-decking adapter, or the M-1952 with 1-inch cross rod and 1-inch wide support bands. Canvas folding cots, the M-1938, OD slip-ons replacing tacked-on white covers, rested alongside even the 1967 gray-steel bunks.

-
- AA-C-571a, *Cot, Folding, Canvas*, 25 Sep 37.
- USA 32-7A, *Cots, Folding, Steel*, 26 Jan 39.
- USA 32-2A, *Bedstead, Single, M-1938*, 31 Jan 41.
- OQMG Cir 4, 1 Nov 39 and 15 Oct 41.
- QMMI 133, *Cot, Folding, Steel*, May 53.
- QMMI 139, *Bedstead, Single, M-1938 and Components*, Jun 53.

BUNK CARD HOLDER

The *HOLDER, Card, Bedstead* (figure 58) was flat with edges bent to hold a card. Formed of enameled green sheet metal, it was 3-3/4 inches wide by 3-5/8 inches high, with a 3/16-inch hole.

The card holder identified each bedstead in the barracks. Introduced in 1882, the distinctive pattern remained unchanged. It held a thin, white or light-color card of appropriate size. This might be one individually made or more often, an example of a local official form, generated by the installation command. World War II shortages of critical materials forced treated steel to replace the scarce original tin plate until supplies returned. In use long after the War, the bedstead card holder continued to display the following information:

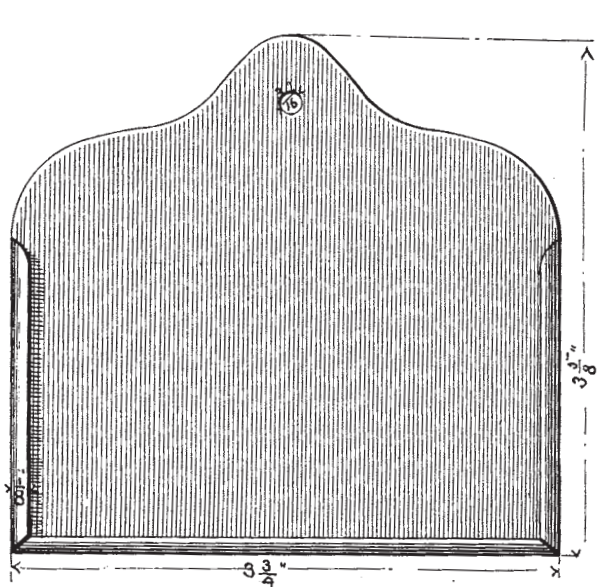


Figure 58

NAME _____
 RANK _____
 ARMY SERIAL NUMBER _____
 ORGANIZATION _____

 USA 17-48, *Holder, Card, for Iron Bunks*, 1 Apr 20.
 Memo, OQMG, 21 Nov 41, Subj: *Holder, Card, Iron Bunk*.
 MIL-H-1404, *Holder, Card, Bedstead (Metal)*, 22 Sep 49.

62 LOCKERS

The *LOCKER, Trunk* (figure 59) was rectangular, with a deep lid, integral key lock, and removable, two compartment tray. Constructed of OD-22 fiber-covered plywood, trimmed with black-japanned metal, it was 31-1/2 inches long by 18-1/8 inches wide by 13-5/8 inches high, with a leather handle at each end and two black-japanned draw bolts (latches) with wire buckles in front.

The *LOCKER, Box* (figure 60) was rectangular, with flat lid, strap hinges and hasp, and removable, two compartment tray. Constructed of OD-22 painted wood, joined along the edges, it was about 29-1/2 inches long

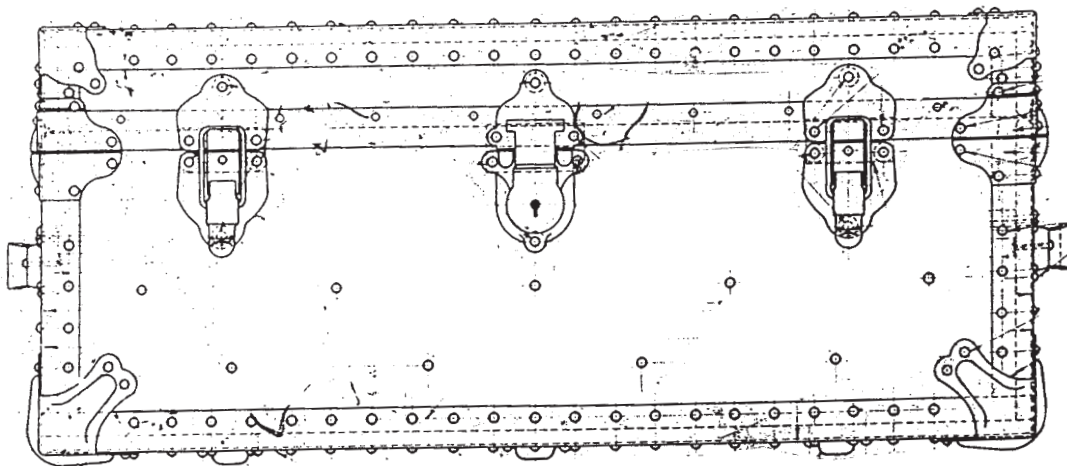
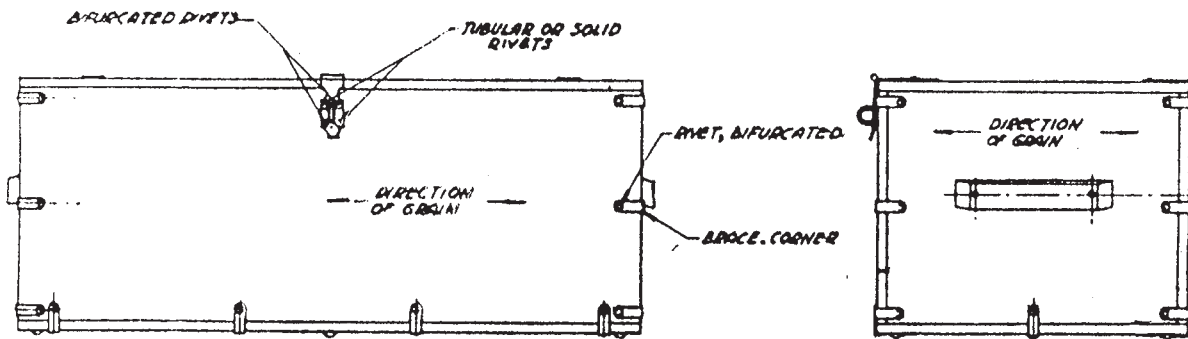


Figure 59



LOCKER, WOOD BOX
 TENTATIVE SPEC FM #107 1-13-41

Figure 60

by 16-1/2 inches wide by 11-1/2 inches high, with a wooden handle at each end and a 1/2-inch-wide lid stay inside.

The *LOCKER, Wall, Steel* (figure 61) was rectangular, with an interior shelf and rod and an exterior, hinged louvered door. Constructed of sheet metal, enameled forest green, it was 18 inches wide by 21 inches deep by 78 inches tall, including four 6-inch legs, and featured a cast handle and hasp or combination lock.

The lockers replaced “living out of a knapsack” in garrison. An 1875 wood box became a commercial fiber-covered trunk in 1905. Its stamped-metal latches were wire-buckle draw bolts by 1924, and after 1936, the tray went from three to two compartments. After 1905, old wood cabinets with hooks were steel wall lockers. But World War II brought substitutes in commercial trunks and plywood box lockers, while “built-ins” replaced the wall locker. Trunk lockers were back by 1945, but with hasp and metal handles, and wall lockers stood once again in post-war barracks.

QM R&D History, u.p., pp 2470–75.
USA 32-1, Locker, Wall, Metal, 9 Jul 23.
OQMG Cir 4, 1 Nov 38.
USA 23-79C, Lockers, Trunk, 17 Dec 38.
FM 107, Lockers, Wood Box, 13 Jan 41.
QMMI 82, Locker, Trunk, Dec 51.
FED AA-L-486b, Lockers, Clothing, Steel, 13 Apr 53.
TB QM 76, QMMI Lockers, Clothing, Metal, 28 Oct 57.
MIL-T-10798B, Trunk, Locker, Foot, Barracks, 19 Mar 58.

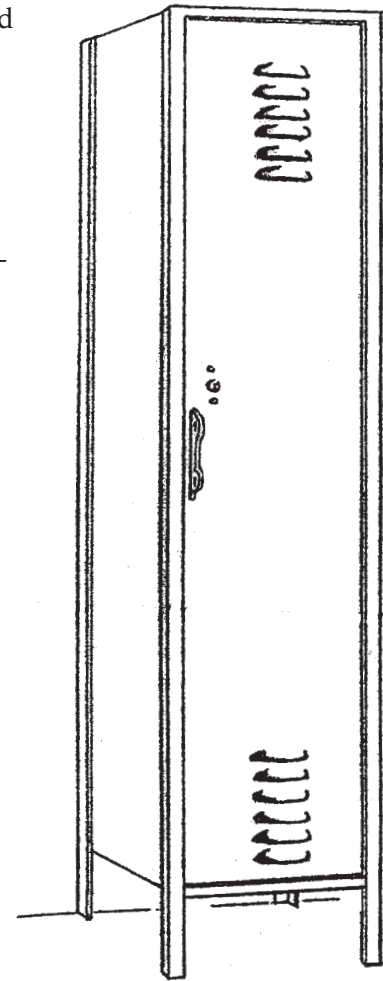


Figure 61

MATTRESS AND PILLOW

The *MATTRESS, Cotton, Felted* was a rectangular case with 38 tufts and edges joined to form a box-edge roll. Sewn of 9-ounce blue-and white-striped cotton ticking, it was 31 inches by 78 inches and 4 inches thick, with 3/4-linter (short fibers) filling.

The *PILLOW, Feather* was a rectangular sack with torn edges joining along the long side and selvage edges closed at each end. Sewn of 9-ounce blue-and-white-striped cotton ticking, it was 17 inches wide by 28 inches long, with 3-pound and 11-ounce chicken-feather filling.

The thick mattress and soft pillow brought barracks comfort. In 1885, they ousted the old straw-filled bed and pillow sacks. Starting at 32-inch by 78-inch and 3-1/2-inch thickness, the mattress reached the standard size, 31 inches wide and 4 inches thick, after 1934. The early 17-inch by 30-inch cotton-filled pillow lasted until 1936, when it became a new 17-inch and 28-inch shape stuffed with feathers. During World War II, cotton was used again, in only a 17-1/2-inch by 21-inch size. Peacetime soldiers rested once more on a 17-inch by 24-inch feather pillow in 1953, and a 6-inch thick mattress by 1967.

FED V-P-356, Pillows, Feather, 13 Jan 36.
FED V-M-81a, Mattresses, Cotton, Felted, 29 Aug 39.
Memo, OQMG, 19 Feb 43, Subj: Procurement of Pillows, Feather.
Cmt2, QMG to WDGS, 7 Apr 47 (Pillow, Feathers).
FED V-P-356a(1), Pillows, Bed, Feather, 13 Jul 53.

MATTRESS COVER

The *COVER, Mattress* (figure 62) was a rectangular bag, with seamed box corners, opening at only one end that tied to close. Sewn of unbleached, cotton drill, it measured 31 inches by 80 inches and 4 inches deep, boxed, with three sets of 12-inch cloth tapes.

The removable cover protected the mattress from soiling. Evolving from straw-stuffed cotton bed sacks, the first, in 1886, was 36 inches wide by 78 inches long and 4 inches deep, with a tied-open end. Then in 1934 the fabric switched from original duck to drilling. By World War II, the standard size was 31 inches wide by 80 inches long boxed, but a secondary, wider size introduced in 1936 featured only a single flap opening, closed by nine pairs of tapes. After the War, mattress covers continued to occupy barrack bunks, expanding only in 1967, to encase the new 6-inch mattress.

64

USA 6-118D, *Covers, Mattress, Cotton*, 24 Oct 40
Depot Examiners' Handbook (Philadelphia: PQD, 15 Aug 42).
TB QM 75, *QMMI Bedding*, 6 Jul 57

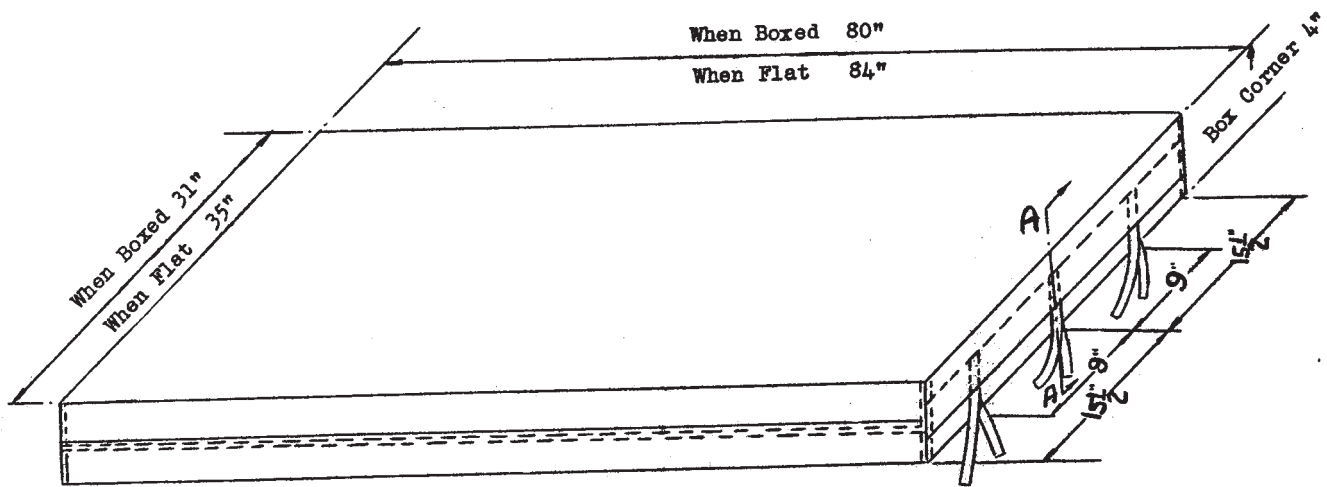


Figure 62

COMFORTER

The *COMFORTER, Cotton Filled* was a rectangular casing closed along all sides and quilted in either straight or scroll pattern. Sewn of OD-3, 2.7-ounce cotton, it was 65 inches by 85 inches, with a 6-lb filling of a laminated, garnetted cotton felt sheet.

The comforter was a wartime solution to a bedding shortage. In 1940, the quantity of wool blankets required for the growing number of mobilization barracks exceeded the available supply. The cotton-filled comforter, used successfully on the bunks of earlier Civilian Conservation Corps camps, became a substitute. Restricted from service in the field, it was a replacement for one of the T/BA wool blankets authorized for use in the barracks. With the end of World War II, the supply of wool blankets again able to meet demand, the comforter disappeared, its service done.

QM Tentative Specification, *Comforters, Cotton Filled*, 29 Apr 40
WD Cir 93, 24 Aug 40
Depot Examiners' Handbook (Philadelphia: PQD, 15 Aug 42).

PILLOWCASE AND BED SHEET

The *PILLOWCASE, Cotton* was a rectangular sack, sewn along selvage edges. Of bleached white, plain-weave, fabric, it was 20-1/2 inches wide and 32-1/2 inches long, with a 3-inch hem top opening.

The *SHEET, Bed, Cotton* was rectangular, with selvage edges. Of bleached white, plain-weave, fabric, it was 63 inches wide by 103 inches long, with 3-inch hem at one torn end and a 1-inch hem at the other.

The pillowcase and bed sheet protected pillows and blankets. Introduced in 1885, both were “brown” instead of bleached cotton. This 17-1/2-inch by 36-inch pillowcase and 45-inch by 90-inch sheet were modified after 1919 to a 20-inch by 30-inch shape and 54-inch width. In 1929, sheets and pillowcases were made of bleached cotton and in new sizes, 20-1/2 inches by 32-1/2 inches with a 3-inch hem, and 63 inches by 103 inches, having 3-inch and 1-inch hems. During World War II, pillowcases were decreased to 27-1/2-inch size for small pillows. Post-war soldiers still slept under standard bed sheets, but after 1953 they enjoyed a 30-1/2-inch long pillowcase.

65

-
- USA 6-117, *Pillow Cases, Cotton, Bleached*, 17 Jul 25.
- USA 6-116, *Sheet, Cotton, Bleached*, 18 Jul 25.
- Ltr, PQD to QMG, 7 Dec 29, Subj: Sheets and Pillow Cases.
- Depot Examiners' Handbook* (Philadelphia: PQD, 15 Aug 42).
- FED DDD-P-351a(3), *Pillowcases, Cotton, Bleached*, 5 Aug 54.
- FED DDD-S-281c, *Sheet, Bed, Cotton*, 13 Jan 53.
- TB QM 75, *QMMI Bedding*, 6 Jul 57.

BARRACK CHAIR

The *CHAIR, Barrack* (figure 63) was Windsor pattern of four legs, curved back, five slats, with two bent pillars. Constructed of wood, it was 32-3/8 inches high, 19-3/16 inches wide, with a 16-1/2-inch deep seat, held together by iron tie rods.

The barrack chair replaced local-made barrack furniture.

Following the first ladder-back chair

of 1878, with leather seat, the fan-back Windsor style with vertical slats appeared in 1895. Structural weaknesses soon became apparent and required a remedy. In 1903, metal bolts increased the strength between stretchers, and a new back added a vertical slat by 1917 for this problem. By World War II, a “new type” even

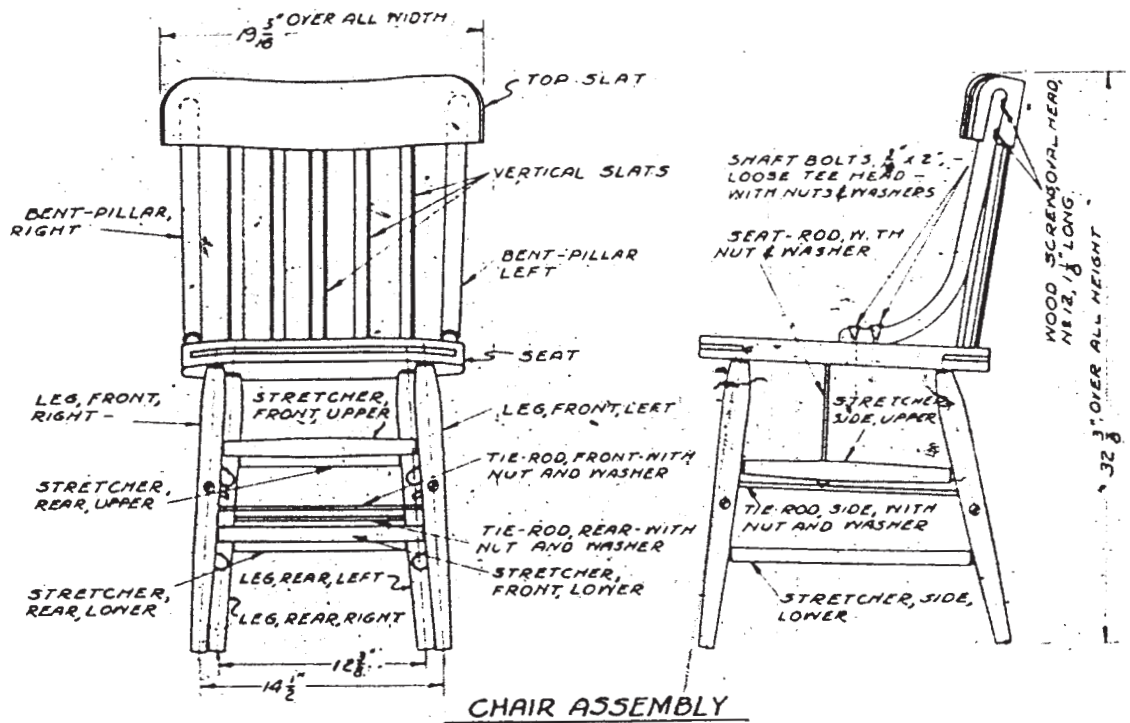


Figure 63

had tie rods to the seat, but the folding wooden chair, easily stored and useful for both garrison and field, had usurped the regal barrack chair.

QM 361, *Barrack Chair*, 24 Jan 1895.
USA 23-100A, *Chair, Barrack*, 23 Feb 38.
OQMG Cir 4, 1 Jun 39.

FIRE EXTINGUISHER AND BUCKET

66

The *EXTINGUISHER, Fire, 2-1/2 gallon S&A* (figure 64) was cylindrical, with chemicals, activated by inverting to spray. Made of copper, it was 7-1/4 inches by 23-1/4 inches, with a 3/8-inch rubber hose and a brass 5-3/4-inch circular handle on top.

The *BUCKET, Fire, Galvanized* was conical, with a closed bottom and bail handle at top. Made of metal and painted red, it had “FIRE” lettered in white, per established local regulations.

The fire extinguisher and bucket guarded wooden barracks. In the twentieth century, the soda-acid type became the most common. Filled with a baking-soda and water solution, it used an internal lead-capped 8-ounce bottle of sulfuric acid to activate the mixture. Fire buckets, as old as civilization, stood always ready for use. By World War II, local precautions usually specified both flat and round-bottom patterns, filled with sand or essential water. During peacetime, equipment more effective for fires was introduced, and the soda-acid extinguisher and bucket bowed to modern apparatus.

“When Fire-Call Sounds” *Quartermaster Review*, May–Jun 26 pp 20–22
FED O-F-355a, *Fire-Extinguishers; Chemical, Hand*, 5 Jun 34.
T/A *Equipment for Posts, Camps and Stations* 1 Sep 34.
AGF 49, *Administrative Regulations*, FT Meade, MD, 30 Oct 44.

MAKING THE ARMY BUNK

The soldier learned to make a bunk (figure 65), per SOP (Standing Operating Procedure) at the Reception Center, as follows:

The *COVER, Mattress, Cotton* went on *MATTRESS, Cotton, Felted*, by collapsing and pulling, in an accordion fashion, without folding the mattress. The cloth tapes tied the open end together at the foot of the bunk.

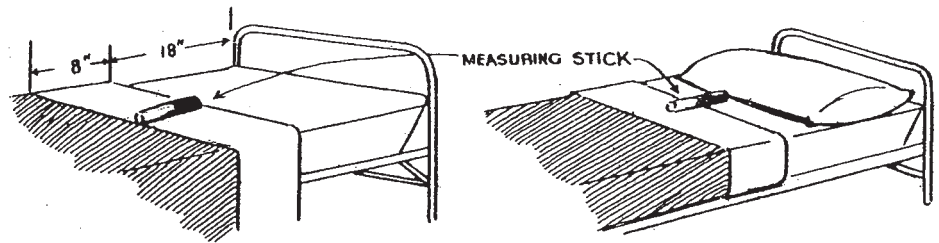
The bottom *SHEET, Bed, Cotton* covered the mattress, centered but right side up (fold of hem down). With the 1-inch hem even with the foot of the bunk, it tucked in all excess and mitered “hospital” 45-degree corners as required.

The top *SHEET, Bed, Cotton* covered the first, centered but with wrong side up (fold of hem up). With the 3-inch hem even with the head of bunk, it tucked in all excess and mitered “hospital” 45-degree corners as required.



Figure 64

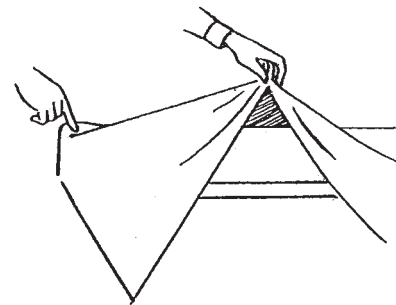
The first *BLANKET, Wool, OD, M-1934* covered both sheets, centered but with the upper edge 6 to 7 inches below the head of bunk. With the “U.S.” up and facing toward the aisle, it tucked in all excess and mitered “hospital” 45-degree corners as required.



The *PILLOWCASE, Cotton, White* covered the *PILLOW, Feather*, and aligned its upper edge at the head of the bunk. The top opening faced to its right, as viewed by an inspecting officer.



On duty days, the second *BLANKET, Wool, OD, M-1934* covered the pillow, as a “dust cover” or “hood.” With folded edge about 24 inches from the head or even with support band, it tucked in all excess and mitered “hospital” 45-degree corners as required.



On inspection days, the second *Blanket, Wool, OD, M-1934* lay under pillow in three 15-inch folds to right and aisle. The first blanket and top sheet folded an 8-inch “white collar” down to 21 inches below the head and 4 inches from the pillow.

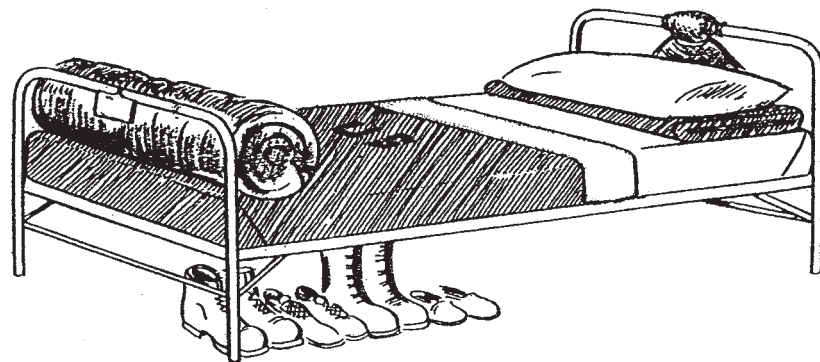


Figure 65

The *COMFORTER, Cotton Filled* folded in its long sides and rolled one end into a 10-inch envelope pocket formed at the other. The roll set at the foot, the edge down and away from the aisle.

Sanitation required that linen be changed and bedding be aired weekly. The “Stockaded” folded blankets, clean sheets, and pillowcase sat between the pillow and uncovered mattress, “S” rolled on bare springs.

 Gaige, *Me and the Army* (New York: American Artists Group, 1943)
Military Medical Manual (Harrisburg: Mil Serv Pub Co, 1943).
Basic Notes (Camp Crowder, MO: CSCRTC, 1 Jun 43).
 FM 21-15 (C2), *Individual Clothing and Equipment*, 22 Dec 47.

ARRANGEMENT OF BARRACKS INTERIOR

The arrangement of barracks (figure 66) ensured economy of space, health of occupants, and uniformity of area for discipline. Hygiene required 60 square feet per bunk and that the windows open at top and bottom on opposite sides of the squad room for ventilation.

But wartime forced double decking, either fastening an upside-down bedstead atop another or using the 1943 metal-cot adapter. A soldier arranged the squad room per typical SOP as follows:

The *BEDSTEAD, Single, M-1938, COT, Folding, Steel* or *COT, folding, canvas*, sat in two rows, head to foot, facing the center aisle. Additional bunks were in the center aisle, and one for each NCO occupied the separate rooms on each floor.

The *LOCKER, Trunk* or *LOCKER, Box* stood at the end of each bunk, earning its name, “footlocker.” It might sit on a painted-wood stand, locally made with a footwear rack below, to raise it off the floor and out of the way of daily floor mopping.

The *LOCKER, Wall, Steel*, one for each occupant, stood against the wall, between the bunks. Most mobilization barracks had instead a “built-in” rack, mounted between and braced to the wall studs, consisting of a shelf and a clothes rod below.

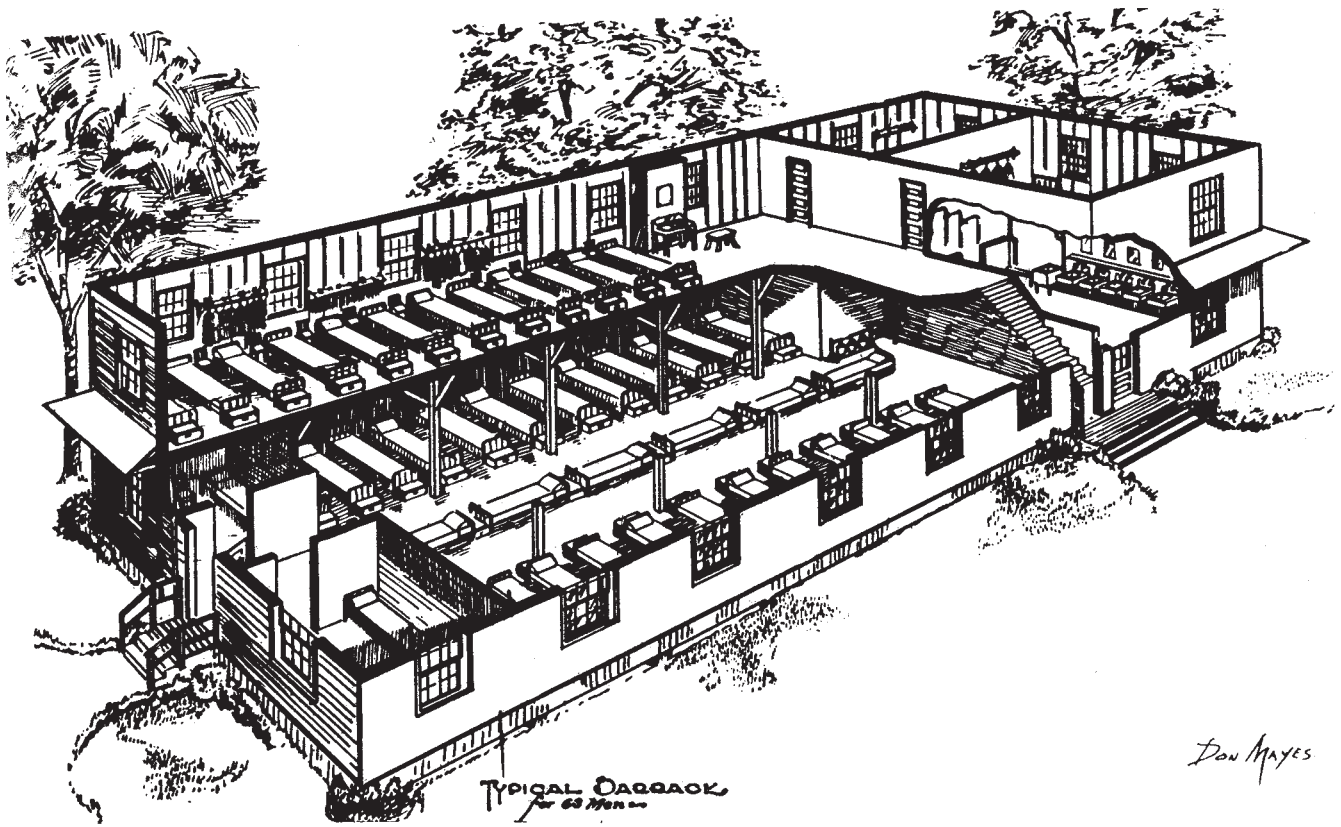


Figure 66. From Don Mayes, *Ft. Leonard Wood, Missouri*. Springfield, MO: Holland Litho. (Courtesy of US Army Engineer Museum, Fort Leonard Wood, MO)

The *RACK, Arm* in the aisle secured all the required weapons, as assigned by T/O and T/BA. It provided for each *RIFLE, Caliber .30, M-1903*, with *SLING, Gun, M-1907*, or a combination, with each *PISTOL, Caliber .45, M-1911A1* for personnel so armed.

An *EXTINGUISHER, Fire, 2-1/2 gallon S&A* attached to the wall and the *BUCKET, Fire*, sat on the floor, near each entrance. Placement and warning markings associated with fire-fighting equipment were the subject of installation fire regulations.

The *CHAIR, Barrack* was available for each individual in an NCO room and in a number to be shared by squad room personnel. Many served instead as furniture in the mess hall or the organizational Day Room for use during off-duty hours.

The *BULLETIN BOARD* on a wall near the entrance, displayed notices, divided into permanent information (e.g., fire regulations) and temporary or daily information (e.g., KP details). Permanent and daily information were posted on opposite sides of one bulletin board, with the most important information located near the top.

 FM 21-10, *Military Sanitation and First Aid*, 31 Jul 40.

"Bulletin Boards," *Infantry Journal*, Dec 41, p 35.

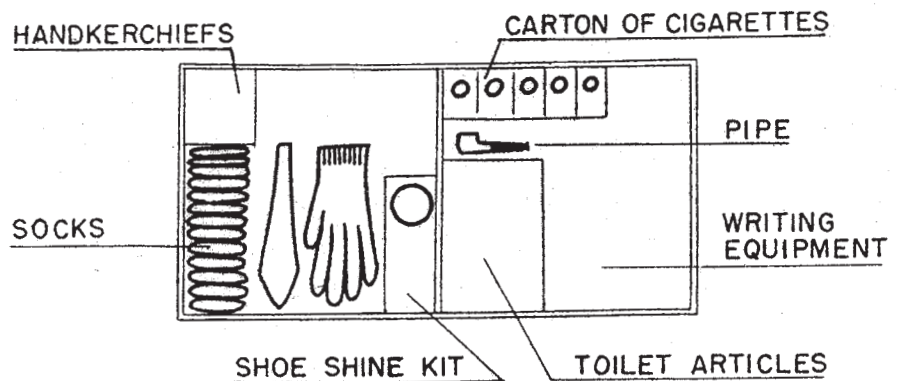
WD BPR, *The Soldier and His Housekeeping* (Washington: GPO, 1942).

Don Mayes Ft. Leonard Wood, *Missouri* (Springfield: Holland Litho) George Baker, *The Sad Sack* (New York: Simon and Schuster, 1944)

Joseph R. Blaise, *Barracks Life in the Old Army*, u.p., Nov 82.

INSPECTION OF BARRACKS SQUAD ROOM

Inspections checked property accountability and maintenance, using a unit SOP (standing operating procedure) arrangement. A soldier prepared for inspection per SOP as follows:



The *HOLDER, Card, Bedstead* (figure 58) fastened to the foot of the bunk, and the *BAG, Barrack* to the head, its drawstrings crossed and wrapped around end to tie with a half-hitch.

The *SHOES, Service* (figure 23) stood beneath bunk, toes aligned with end leg, with uppers polished and laced, in block for even days or cross for odd days, to alternate wear.

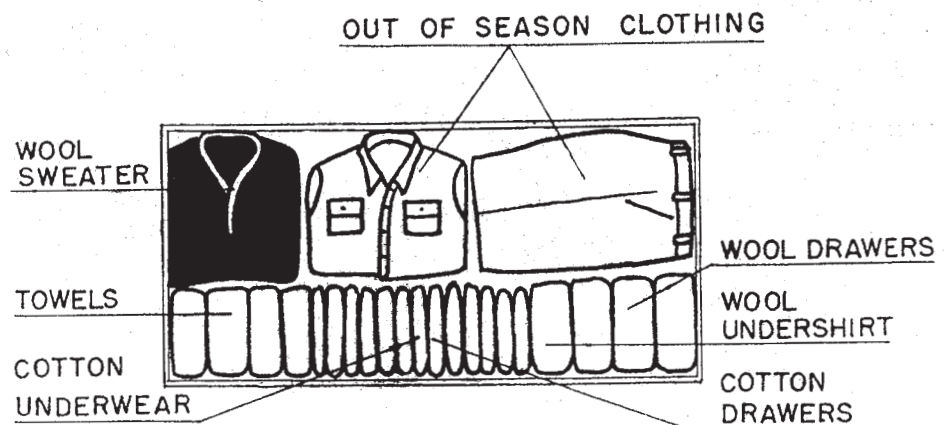


Figure 67

The foot locker (figure 67) had out-of-season clothing, with rolled *UNDERSHIRT, Summer, Sleeveless, DRAWERS, Cotton, Shorts, pr, UNDERSHIRT, 50% Wool* and *DRAWERS, 50% Wool, pr.*

The left tray (figure 67), lined with the *TOWEL, huck*, had *BRUSH, Shaving, RAZOR, Safety w/5 Blades, BRUSH, Tooth, and COMB, Rubber, Hard*, with PX toiletries and personal items.

The right tray (figure 67) had the *GLOVES, woolen, OD, pr, NECKTIE, Cotton, Khaki, Washable, NECKTIE, Black, Wool, M-1940, HANDKERCHIEF, Cotton*, and PX personal items. Each *SOCKS, Cotton, Tan, pr* and *SOCKS, Wool, Light, pr* rolled, heel tucked in, from toe into "envelope" formed by turned-down top.

The wall locker (figure 68) had the *RAINCOAT, Rubberized, Dismounted, M-1938; OVERCOAT, Wool, Roll Collar; COAT, Wool, Service; JACKET, Field, OD; SHIRT, Cotton, Khaki; SHIRT, Wool, OD; TROUSERS, Cotton, Khaki, pr; and, TROUSERS, Wool, OD, pr.*

The door had the *TOWEL, bath* (if not in foot locker) on a hanger, the shelf, *CAP, Garrison, Serge, OD; CAP, Garrison, Khaki; and, HAT, Working*, and the bottom, folded *COAT, Working* and *TROUSERS, Working, pr* with *LEGGINGS, Canvas, Dismounted, pr.*

The full field equipment, assembled without rations, with steel helmet attached, and cartridge belt, assembled for drill, was at the foot of bunk. The gas mask carrier was at the head of bunk, when rolled pack was at the foot.

A FULL-FIELD INSPECTION (figure 69) displayed equipment on the bunk or by shelter tent. Clothing and individual equipment rolled in the pack, plus toilet articles, were displayed per SOP.

The Ordnance Soldier's Guide (Aberdeen Proving Ground, ORTC, n.d)

Taylor, *Private Doakes and Me*, (Dallas: Taylor Engraving, 1942).

Yank: *The Army Weekly* (British Edition), 11 Feb 45.

FM 21-15, *Individual Clothing and Equipment*, 30 Apr 45.

TC-X-21-3, *Foot Locker Display*, Fort Sill, OK, ca. 1945.

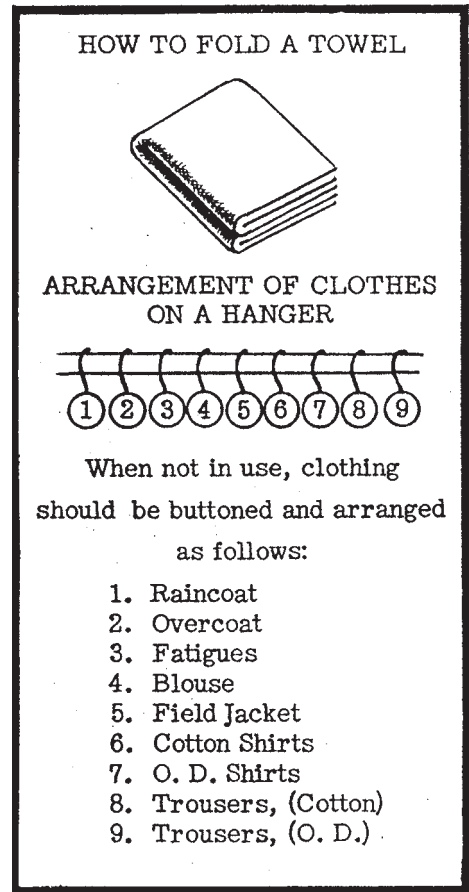


Figure 68

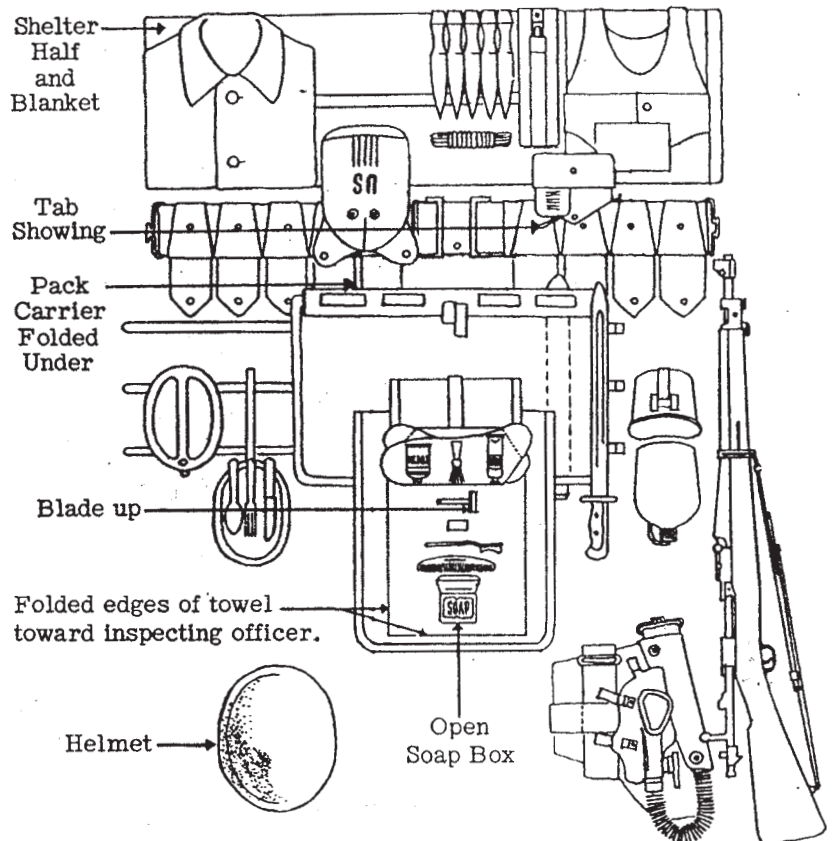


Figure 69

Station Property – Mess Hall

While assigned to a duty station, each organization received station property for use in mess hall as follows:

STOOL, mess	1 per EM in barracks	STEEL, butcher's	1 per 50 men
TABLE, mess	1 per 10 EM in barracks		
		GRATER	1 per 33 men
BOAT, sauce	1 per 5 men	MACHINE, chopping, meat	1 per 33 men
BOWLS:		MEASURES:	
General-use	1 per man	1-pt.	1 per 33 men
Sugar	1 per 5 men	1-qt.	1 per 33 men
CUP, coffee	1 per man	OPENER, can	1 per 25 men
DISHES:		PIN, rolling, wood	1 per 100 men
Pickle	1 per 12 men	SCALES, 10-lb.	1 per 100 men
Vegetable	1 per 2 men	SCRAPER, dough	1 per 100 men
PLATES:		SIEVE, flour	1 per 50 men
Dinner	1 per man		
Soup	1 per man	GRIDDLE, iron	1 per 25 men
POT, mustard	1 per 5 men	PANS:	
SAUCER, coffee	1 per man	Bake, 12-ration	1 per 20 men
		Cake	1 per 33 men
BOTTLE, vinegar	1 per 12 men	Dish	1 per 14 men
SHAKERS:		Frying	1 per 14 men
Pepper	1 per 5 men	POTS, stock, aluminum w/cover	
Salt	1 per 5 men	Ordinary:	
TUMBLER	1 per man	10-gal.	1 per 25 men
		15-gal.	1 per 25 men
FORK, table	1 per man	With faucet and strainer:	
KNIFE, table	1 per man	15-gal.	1 per 100 men
SPOONS:		20-gal.	1 per 100 men
Table	1 per man		
Tea	1 per man	DIPPERS, tin	
Mustard	1 per 5 men	1-qt.	1 per 10 men
PITCHERS:		2-qt.	1 per 10 men
Syrup	1 per 5 men	FORK, cook, flesh	1 per 10 men
Water	1 per 10 men	LADLE, soup	1 per 10 men
PLATTER, meat	1 per 10 men	MASHER, potato	1 per 50 men
CLEAVER, butcher's	1 per 50 men	SKIMMER	1 per 33 men
KNIVES:		SPATULA	1 per 50 men
Boning	1 per 25 men	SPOON, basting	1 per 10 men
Bread	1 per 25 men	WHIPS, egg, wire:	
Butcher's	1 per 25 men	10-inch	1 per 50 men
Paring	1 per 25 men	12-inch	1 per 50 men
SAW, butcher's	1 per 33 men	16-inch	1 per 50 men

71

 T/A *Equipment for Posts, Camps and Stations*, 1 Sep 34
 WD Cir 29, 20 May 36

Description of Mess Hall Station Property

MESS STOOL

The *STOOL, Mess* (figure 70) was a round seat, mounted to four turned legs and connected to a turned center ornament. Constructed of wood, it was 18 inches high and 11-1/2 inches across, with stretchers reinforced with two crossed metal tie rods.

The mess stool provided flexible seating at the mess table. In 1890, it joined the metal-leg wood bench under the mess table and by the early twentieth century became the predominant furniture. There occurred little change in construction through the years. During World War II, “built-in” tables were fabricated locally for mobilization mess halls, making such issue furniture unnecessary. Then FY43 funds failed to provide for its issue or replacement. When the post-war era introduced small dining tables and chairs, the seating of the mess stool was taken.

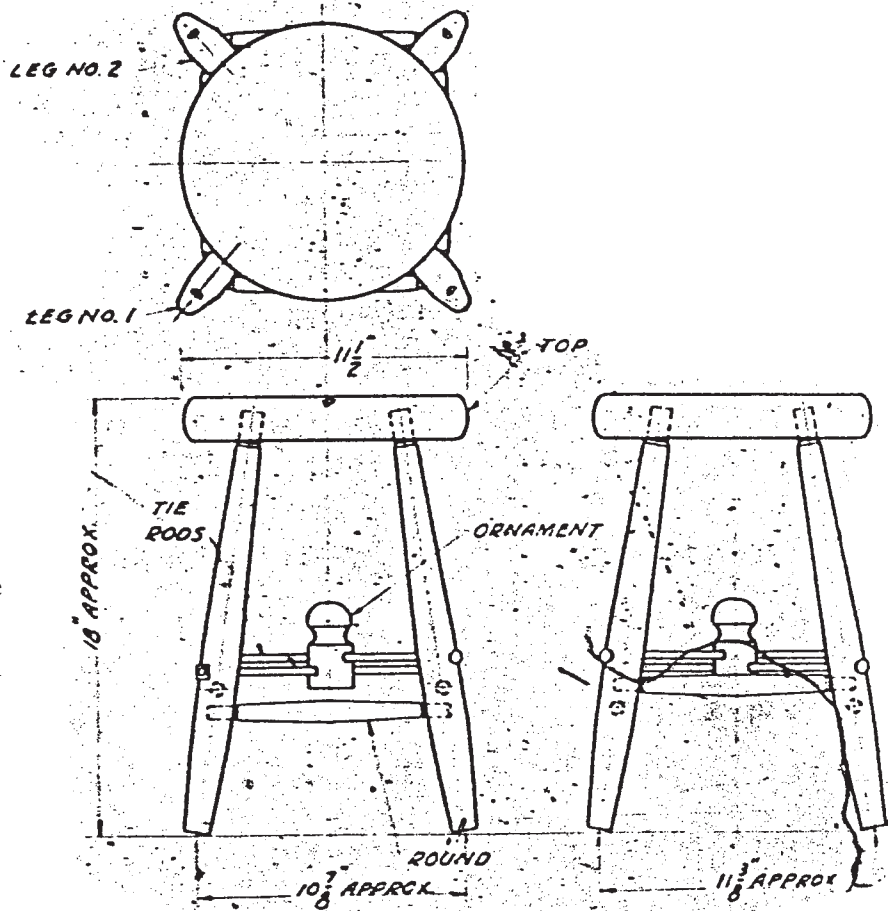


Figure 70

Annual Report of Quartermaster General (Wash: GPO, 1890) p 228.
QMC Drawing 2-5-22, *Stool, Mess*, Rev 28 Jan 42
WD Cir 255, 30 Jul 42

MESS TABLE

The *TABLE, Mess* (figure 71) was rectangular, with three stands of legs crossed from table battens down to floor cleats. Constructed of wood and black-painted metal, it was 42 inches by 10 feet, with side rails, curving from a 6-inch center to 2-inch ends.

The mess table provided for family-style food service. Replacing local improvisations in 1885, it and matching benches established patterns for manufacture of this mess hall furniture. After 1937, the early design of two stands of two metal legs screwed to four wood table battens gave way to fewer legs but greater strength with their attachment to wooden floor cleats. With World War II mobilization buildings using “built-in” tables, FY43 funding provided no issue or replacement of these items. After the war, 4-man tables replaced the 10-man mess table.

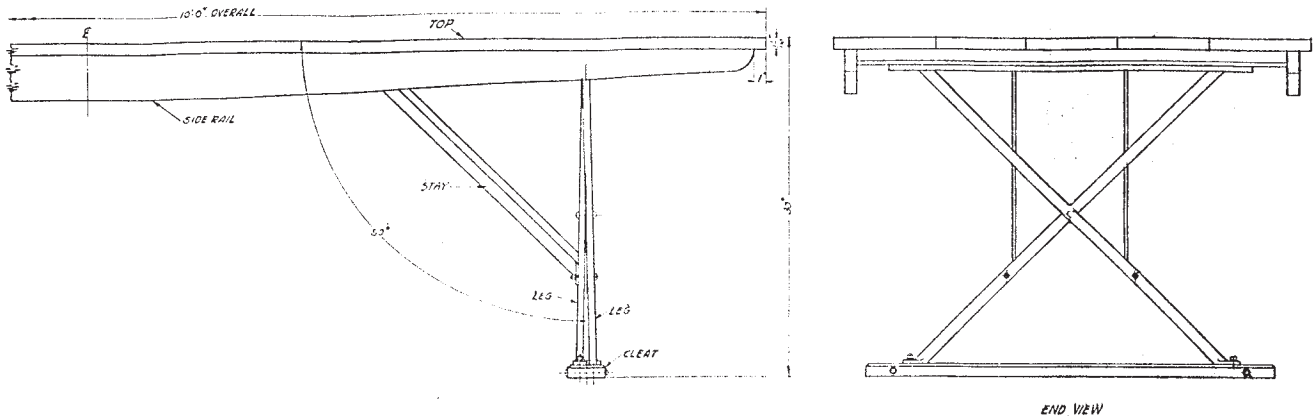


Figure 71

 1Ind, QMG to JQD (21 Oct 36), Subj: Mess Tables, 2 Nov 36
 USA 28-25, *Table, Mess*, 15 Oct 37
 USA 28-25A, *Table, Mess*, 14 Mar 42
 WD Cir 255, 30 Jul 42

CHINAWARE

The *BOAT, Sauce* (figure 72) was Cable pattern, with a spout at one end and handle at the other. Fired as vitrified china “thickware,” 5/16-inch to 3/8-inch thick, it had a 13-ounce capacity.

The *BOWL, General-Use* (figure 72) was round with curved sides and a flat bottom. Fired as vitrified china “thickware,” 5/16-inch- to 3/8-inch thick, it had a 5-3/4-inch diameter.

The *BOWL, Sugar* (figure 72) was Lindell pattern, with a separate domed cover. Fired as vitrified china “thickware,” 5/16-inch to 3/8-inch thick, it had a 17-ounce capacity.

The *CUP, Coffee, Unhandled* (figure 72) was round, with plain sides and edge. Fired as vitrified china “thickware,” 5/16-inch to 3/8-inch thick, it had a 3-3/4-inch diameter.

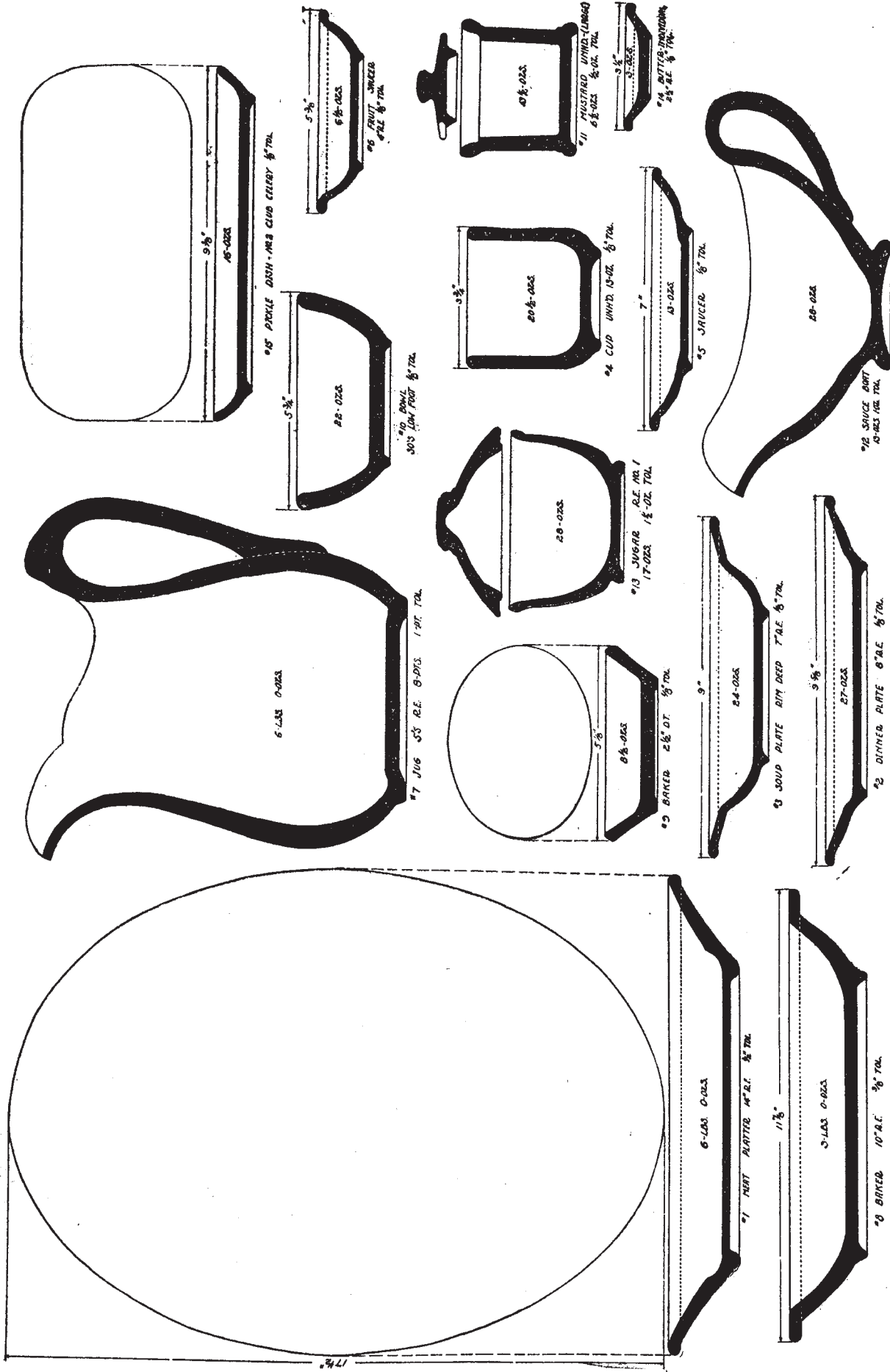
The *DISH, Pickle* (figure 72) was a Number 2 Club, celery pattern, with shallow sides. Fired as vitrified china “thickware,” 5/16-inch to 3/8-inch thick, it had a 9-3/8-inch length.

The *DISH, Vegetable* (figure 72) was Baker pattern, with a flat rim and deep bottom. Fired as vitrified china “thickware,” 5/16-inch to 3/8-inch thick, it had an 11-7/8-inch diameter.

The *PLATE, Dinner* (figure 72) was round with a flat bottom and roll edge. Fired as vitrified china “thickware,” 5/16-inch to 3/8-inch thick, it had a 9-5/8-inch diameter.

The *PLATE, Soup* (figure 72) was round with a deep bottom and a roll edge. Fired as vitrified china “thickware,” 5/16-inch to 3/8-inch thick, it had a 9-inch diameter.

The *POT, Mustard* (figure 72) was Vienne pattern, unhandled, with a separate flat cover. Fired as vitrified china “thickware,” 5/16-inch to 3/8-inch thick, it had a 6-1/2-ounce capacity.



525193-43. (Face p. 10.) No. 5

FIGURE 5.

Figure 72

The SAUCER, *Coffee* (figure 72) was round with a flat bottom and roll edge. Fired as vitrified china “thick-ware,” 5/16-inch to 3/8-inch thick, it had a 7-inch diameter.

The chinaware added decor to “family-style” meal service. After 1889, standard allowances replaced the local examples, variety existing in choice and quantity and little in pattern. World War II conditions brought newer materials and methods. Glass substituted for dishes and CRS (corrosion-resistant steel) for the water pitcher, and “cafeteria-style” meals began utilizing CRS compartmental trays. In peacetime, following the passing of “family-style” service in mess halls, modern synthetics left chinaware behind, with unbreakable cups, bowls and mess trays.

 FED M-C-301, *Chinaware, Vitrified*, 1 May 34.
 AR 30-3014, *Price List of Kitchen and Mess Equipment*, 1 May 45.

GLASSWARE

The BOTTLE, *Vinegar* (figure 73) was octagonal with a neck, closed by a cork-covered, chinaware stopper. Fired as clear, polished glass, it was 8-3/4 inches tall, with a 14-1/2-ounce capacity.

The SHAKER, *Pepper, with Metal Top* (figure 73) was octagonal, with a removable pearl cap, with .072-inch holes. Fired as clear, polished glass, it was 4 inches tall, with a 3-ounce capacity.

The SHAKER, *Salt, with Metal Top* (figure 73) was octagonal, with a removable pearl cap, punctured with .090-inch holes. Fired as clear, polished glass, it was 4 inches tall, with a 3-ounce capacity.

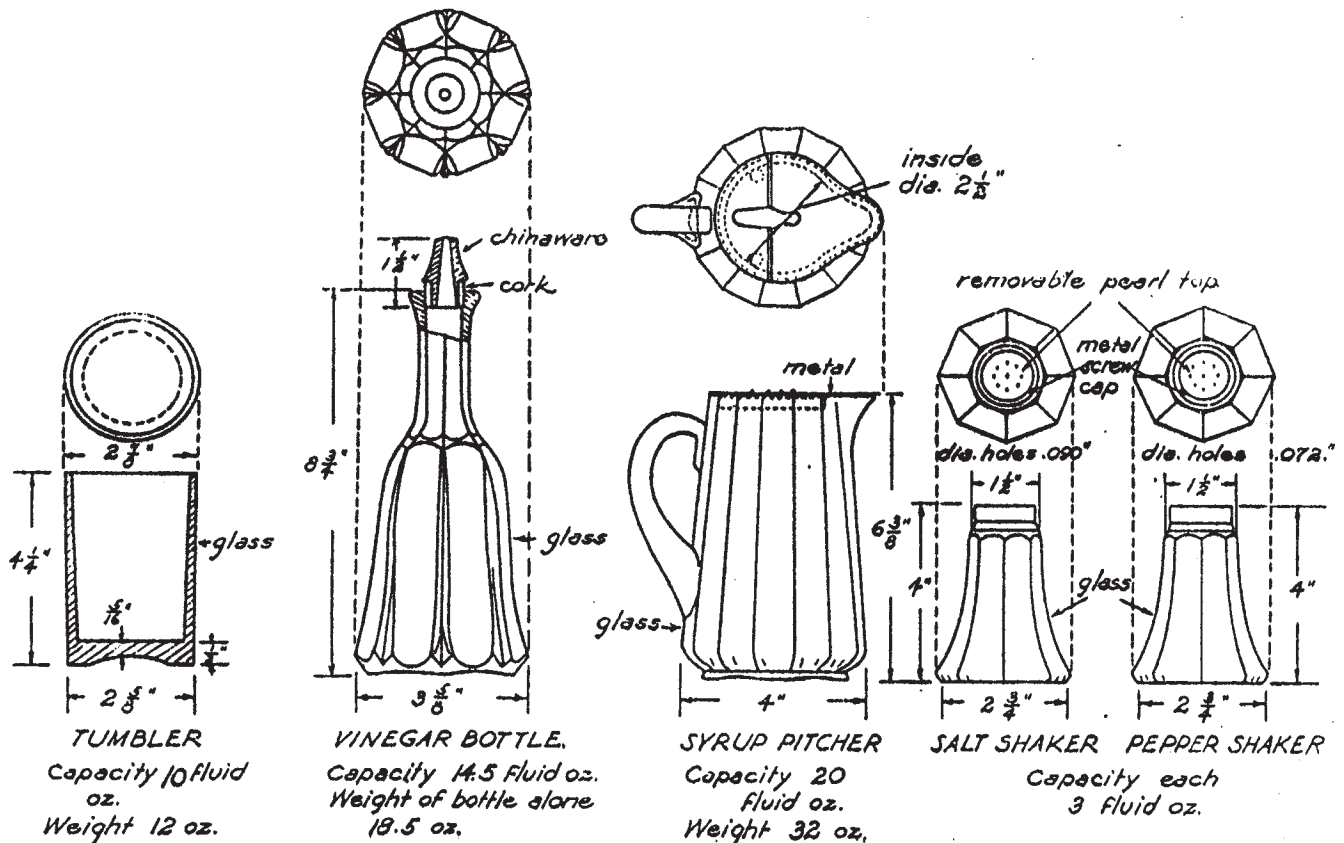


Figure 73

The *TUMBLER* (figure 73) was round with thin, straight sides and a heavy, thick bottom. Fired as clear, polished glass, it was 4-1/4-inches tall, with a 10-ounce capacity.

Glassware provided containers for liquids and condiments. Based on commercial patterns first issued after 1889, the style reflected the past, varying only in choice and quantity selected. But as World War II approached, new materials and sizes arrived. An aluminum syrup pitcher ousted the glass one with a metal top, and large glass tumblers claimed a smaller 6-ounce capacity cousin. After the War, mess halls began aping civilian eateries, with diminutive, 2-1/4-inch salt and pepper shakers, plastic tumblers and commercial containers instead of genteel glassware.

"Sanitation and Messes," *Infantry Journal*, Jun 30, pp 593-600.

FED DD-T-101a, *Tableware, Glass*, 12 Jan 38.

FED DD-T-101b, *Tableware, Glass*, 10 Nov 47.

AR 30-3014, *Price List of Kitchen and Mess Equipment*, 1 May 45.

76

TABLEWARE

The *FORK, Table* (figure 74) was Windsor pattern with a wide, flat end and four tines. Formed of one-piece nickel-alloy, with a high commercial polish, it was 7-3/8 inches to 7-7/8 inches long.

The *KNIFE, Table* (figure 74) was Windsor pattern with a round handle and straight blade. Formed of one-piece nickel-alloy, with a high commercial polish, it was 9-1/8 inches to 9-7/16 inches long.

The *SPOON, Table* (figure 74) was Windsor pattern with a wide, flat end and a bowl. Formed of one-piece nickel-alloy, with a high commercial polish, it was 8-1/4 inches to 8-1/2 inches long.

The *SPOON, Tea* (figure 74) was Windsor pattern with a wide, flat end and a small bowl. Formed of one-piece nickel-alloy, with a high commercial polish, it was 5-7/8 inches to 6-3/16 inches long.

The *SPOON, Mustard* was straight with a handle at one end and a paddle or bowl at the other. Fabricated of wood, it was 4-1/4 inches, with a 5/8-inch bowl, or 4-3/4 inches, with a 1-1/8-inch paddle.

The *PITCHER, Syrup, M-1940* (figure 75) was cylindrical, with a spout, handle and spring-thumb grip for hinged cover. Drawn of sheet aluminum, it was 3-3/4 inches wide and 5-7/8 inches high.

The *PITCHER, Water, 5-1/2-quart, M-1939* (figure 76) was round, with a flaring spout and tubular handle. Drawn of CRS, it was 10-1/2 inches high, with a 7-3/16-inch-wide bottom.

The *PLATTER, Meat, Metal* (figure 77) was elliptical, with an open-flange edge. Drawn of CRS, it was 1-1/8 inches deep, with 1-3/4 inch rim and an 8-1/2-inch by 14-inch serving area.

Tableware included required metal utensils and containers. Based on civilian designs standardized by 1889, it saw scarcities of old and efficiencies of new materials prompt several changes. During World War II, china and glass pitchers were replaced with CRS and aluminum, and tableware changed from silverplate to nickel-alloy and CRS. While change in meal service had little effect, patterns did. After the war, the old table knife

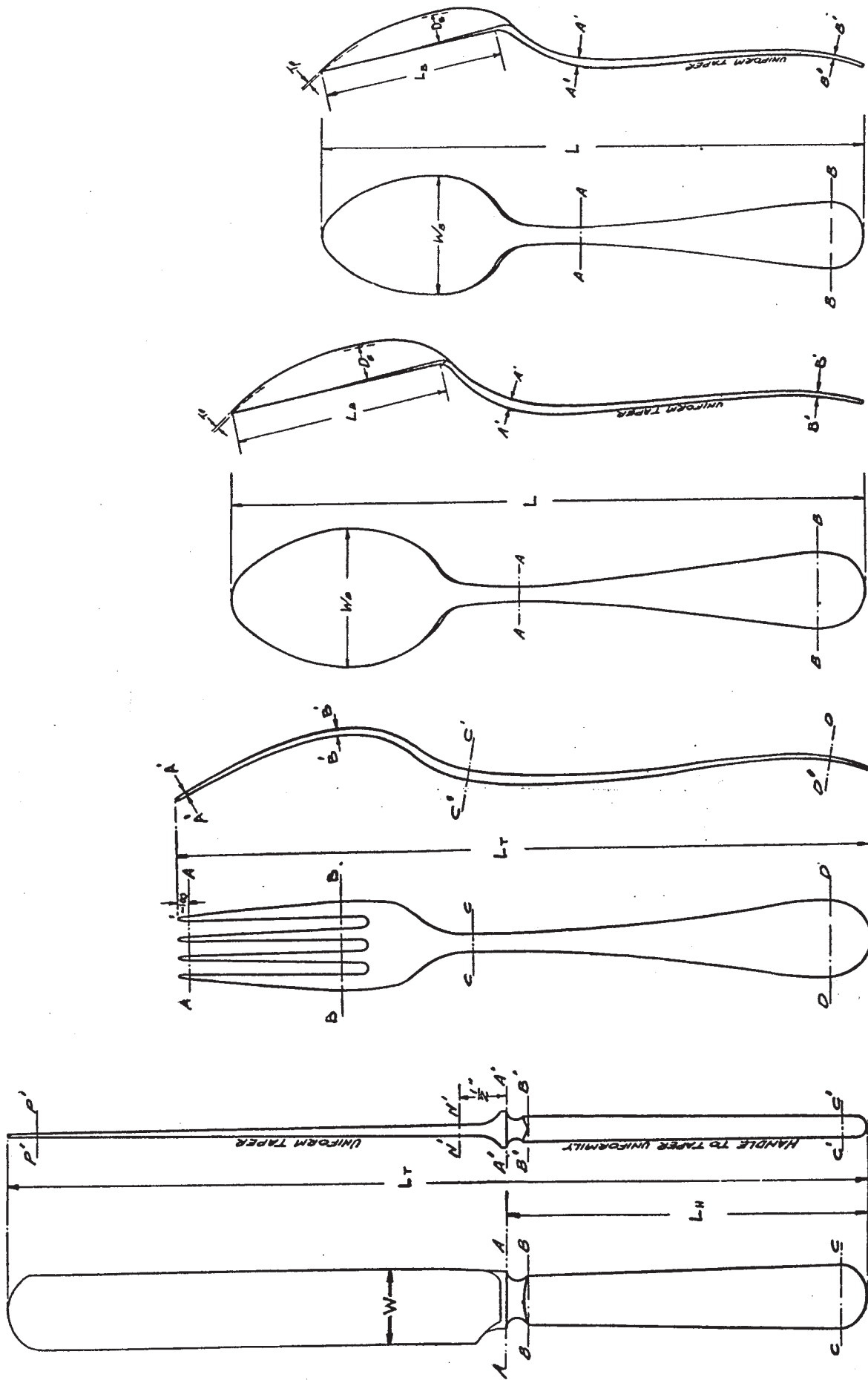


Figure 74

was replaced by the utility knife, which had a curved blade and streamlined handle.

-
- FED RR-P-386 Pitchers, Water: Corrosion-Resisting Steel, 3 Mar 39
 - FED RR-P-416 Platters, Meat: Corrosion-Resisting Steel, 4 Apr 39
 - QM File 2943, Pitcher, Syrup, M-1940, 18 Feb 41.
 - FED LLL-S-617, Spoons, Mustard, Wood, 3 May 41.
 - FED RR-T-46, Tableware, Nickel-Alloy, 23 May 41.
 - AR 30-3014, Price List of Kitchen and Mess Equipment, 1 May 45.
 - QMMI 60, Tableware, Apr 53.

78

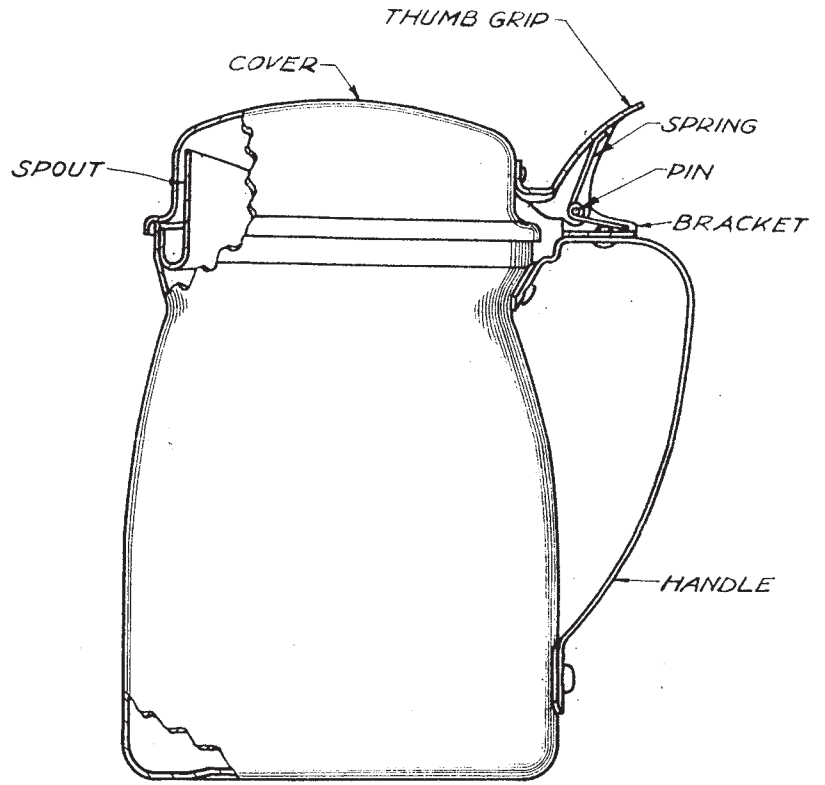


Figure 75

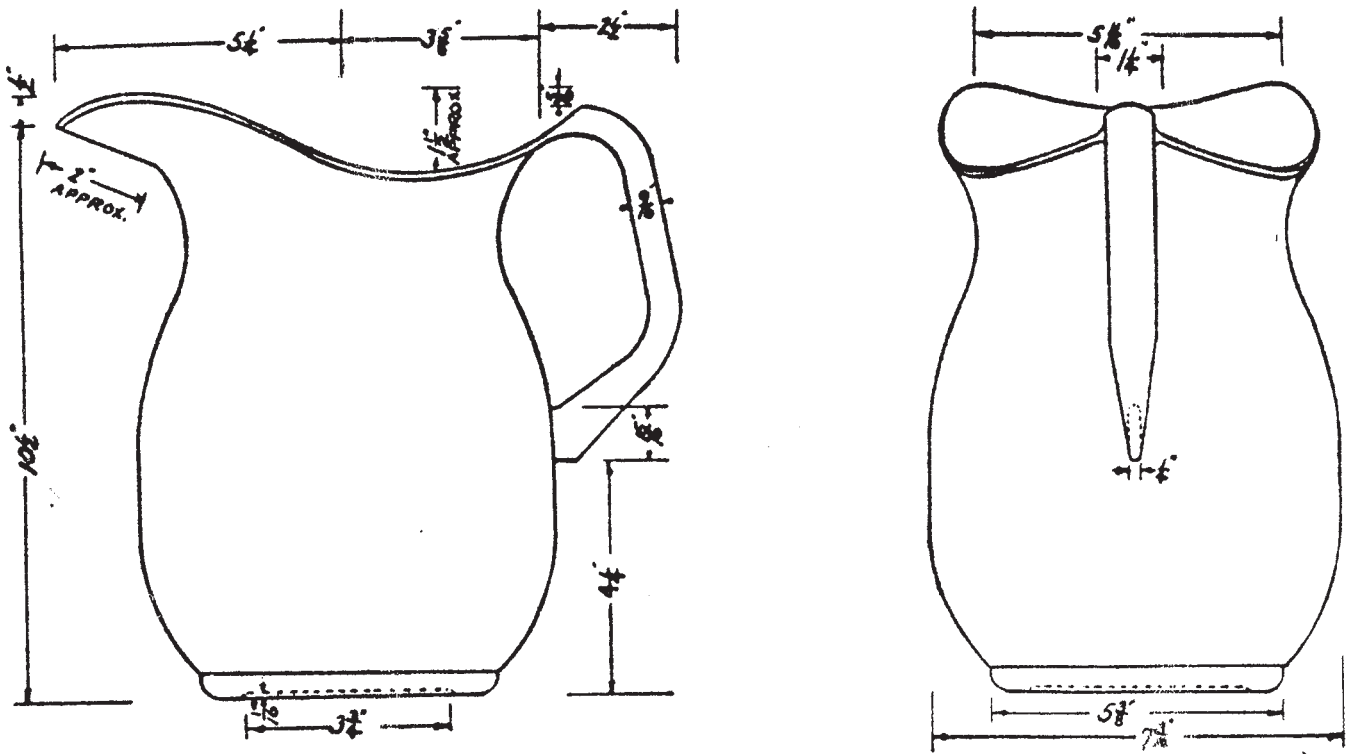


Figure 76

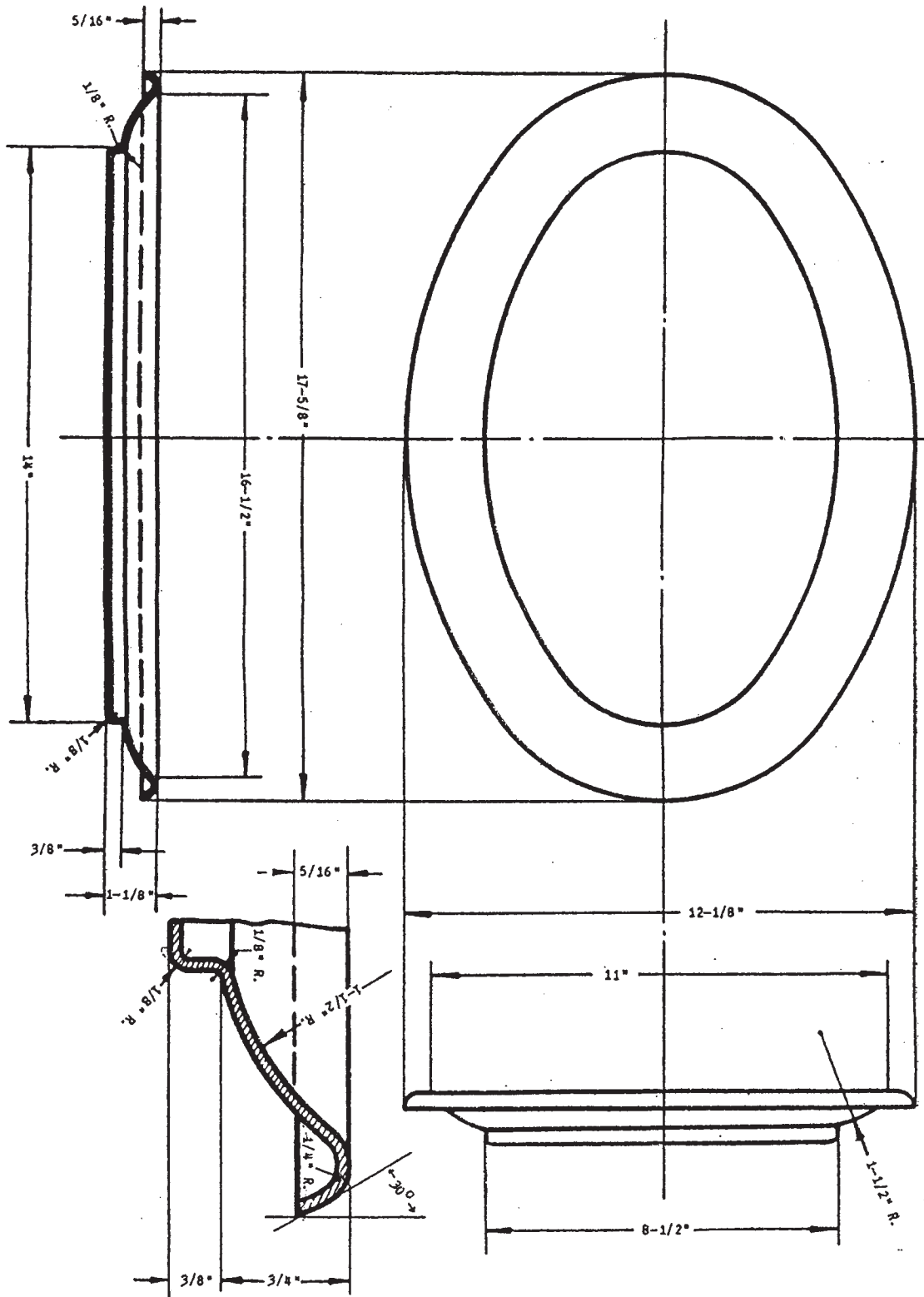


Figure 77

CUTLERY

The *CLEAVER, Butcher's* (figure 78) was market blade, fixed to two-piece wood handle by three rivets. Forged from steel, it was 14-1/2 inches long, with an 8-inch blade and a 1/2-inch corner hole.

The *KNIFE, Boning* (figure 78) was a narrow, pointed blade, fixed to a two-piece wood handle by three rivets. Forged from steel, it was 10-1/2 inches long, with a 6-inch blade, 7/8 inches wide.

The *KNIFE, Bread* (figure 78) was a straight, wide blade, fixed to a two-piece wood handle by three rivets. Forged from steel, it was 15-1/2 inches long, with a 10-inch blade, 1-5/16 inches wide.

The *KNIFE, Butcher's* (figure 78) was a distinctive blade, fixed to a two-piece wood handle by three rivets. Forged from steel, it was 15-1/2 inches long, with a 10-inch blade, 1-1/2 inches wide.

The *KNIFE, Paring* (figure 78) was a short blade, fixed to a two-piece wood handle by three rivets. Forged from steel, it was 5 to 7 inches long, with a 3- to 4-inch blade, 9/16 inches wide.

The *STEEL, Butcher's* (figure 78) was round, with a ferrule and bolster at one end of the handle and a swivel at the other. Forged of steel and wood, it was 15 inches long, with a 10-inch blade.

The *SAW, Butcher's* (figure 79) was a frame, with unguarded handle fixed by three screws. Fabricated of steel, with a wood grip, it was 5-15/16 inches deep, with a removable 14-inch blade.

Cutlery consisted of sharp tools to dress meats and prepare foods. Derived from civilian usage and first authorized after 1889, it altered its pattern little or none through the ensuing years. World War II heralded some change, a metal bolster between blade and handle for the butcher's knife, a new wide-blade cook's knife and a longer saw, with a much needed,



Figure 78

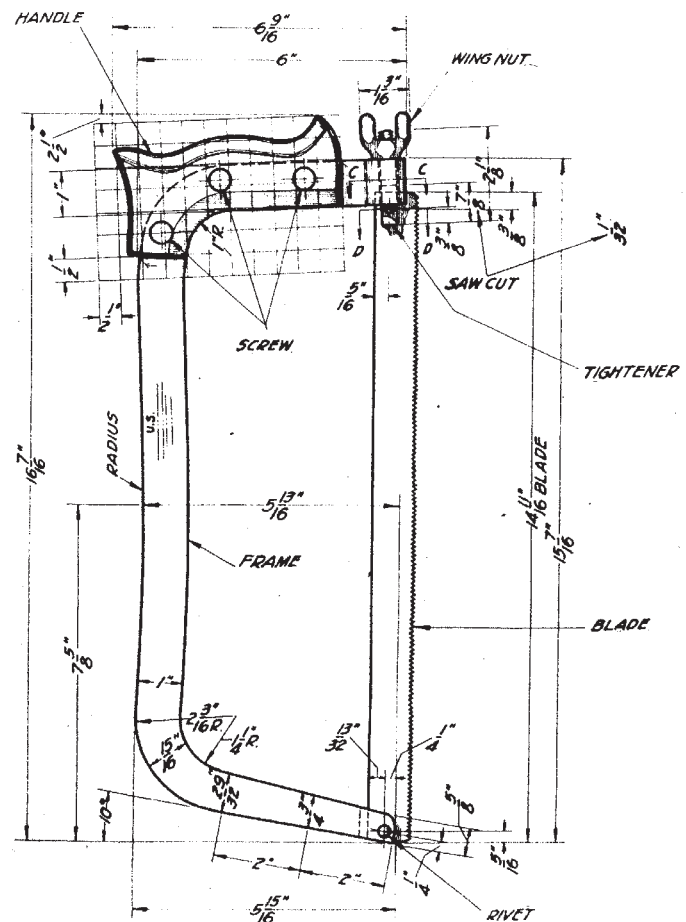


Figure 79

closed-horned grip. During post-war peace, the old bread knife disappeared and a new straight-blade slicing knife, with rounded point, appeared.

FED GGG-C-746, *Cutlery: Galley and Kitchen*, 7 Mar 33.

Ltr, JQD to QMG, 21 Nov 39, Subj: Amendment to FED GGG-C-746.

JQD 43, *Cutlery: Galley and Kitchen*, 4 Dec 41.

FED GGG-S-61a, *Saws*, 3 Nov 42.

FED GGG-C-746a, *Cutlery: Galley and Kitchen*, 17 Feb 44.

AR 30-3014, *Price List of Kitchen and Mess Equipment*, 1 May 45.

KITCHEN APPARATUS

81

The *GRATER, Vegetable* (figure 80) was curved, with a perforated front, handle on top and stiffeners in back. Shaped of tin, it was 2-7/8 inches deep, 6-7/16 inches wide and 12-1/8 inches high.

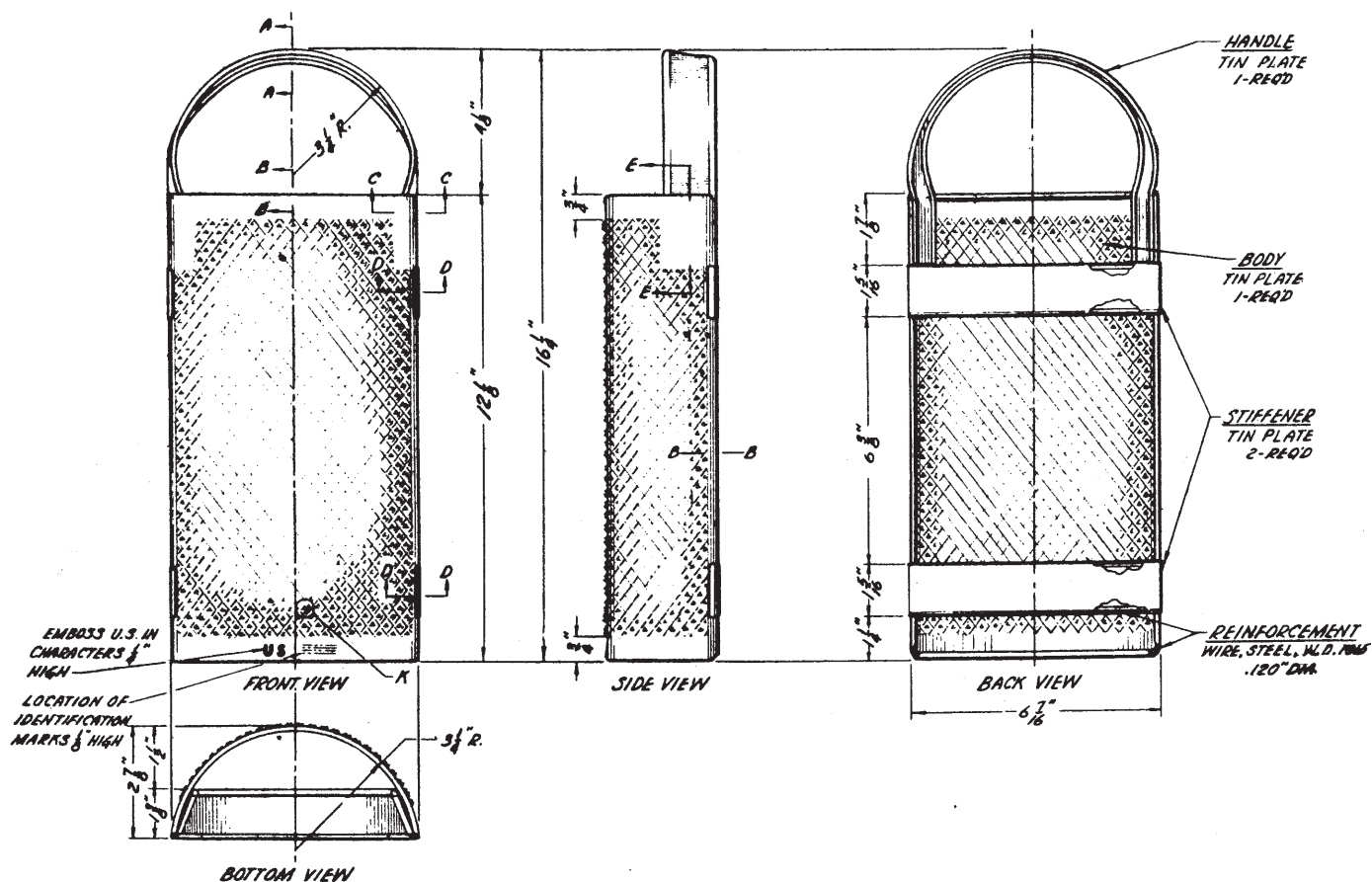


Figure 80

The *MACHINE, Meat & Food Chopping, Hand Operated* (figure 81) was a crank, hopper, feed worm, and plate. Fabricated of metal, it used four knives and plates with 1/8-inch to 3/8-inch holes.

The *MEASURE, Lipped, Ungraduated* (figure 82) was conical, with an extension on one side and a strap handle on the other. Fabricated of tin, it came in 1/2-quart and 1-quart capacities.

The *OPENER, Can* was lever-action, with bevel-edge blade, bead guide, bottle opener, and corkscrew. Fabricated of steel, it was 5-1/4 to 4-3/4 inches long, with a 1-inch blade.

The *PIN, Rolling* was cylindrical, with a stationary handle attached to each end. Turned of light wood, it was 18-1/2 inches long and 3-1/2 inches across, with 4-inch handles.

82

The *SCALE, Weighing, Counter Scoop, 10-lbs.* (figure 83) was even-balance type, with fork and graduated beam. Made of metal, it had a 15-inch by 8-inch scoop, a 5-inch plate, and 1-pound to 4-pound weights.

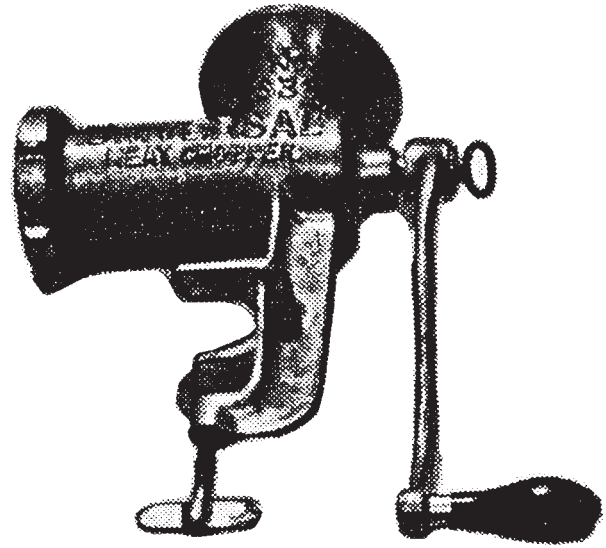


Figure 81

The *SCRAPER, Dough, 6-inch* (figure 84) was rectangular, with a tubular handle formed along one side. Fabricated of sheet steel, it was 4-5/8 inches deep, including the 1-inch diameter handle.

The *SIEVE, Flour* was circular, with flared walls, handles at the rim and reinforced-wire mesh at the base. Fabricated of sheet-metal, it had a 24-inch top, 16-inch bottom, and 6-inch depth.

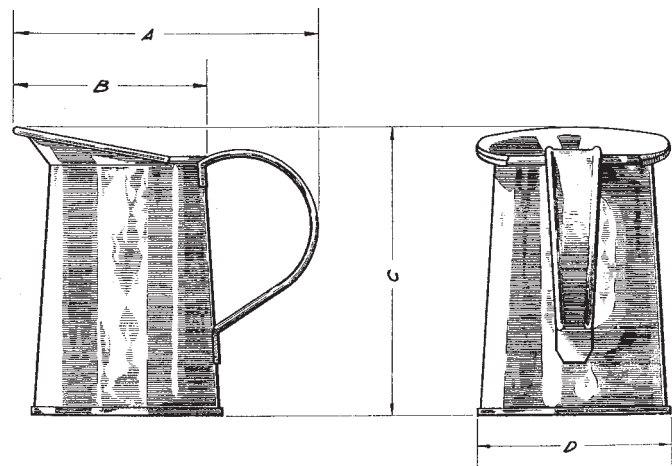


Figure 82

Kitchen apparatus included a variety of food preparation items. Allowances from civilian use were present by 1889, and standard patterns evolved minimally with the advance of the twentieth century. World War II required a response to shortages and new requirements. Preserving scarce materials, 18-inch wood replaced a 16-inch sheet metal flour sieve and a wood handle fixed metal dough scrapers. Following the War, mess halls traded wood items for metal, changed to wing-type can openers, and showed the new look of kitchen apparatus in a cook's work table with curved pan rack.

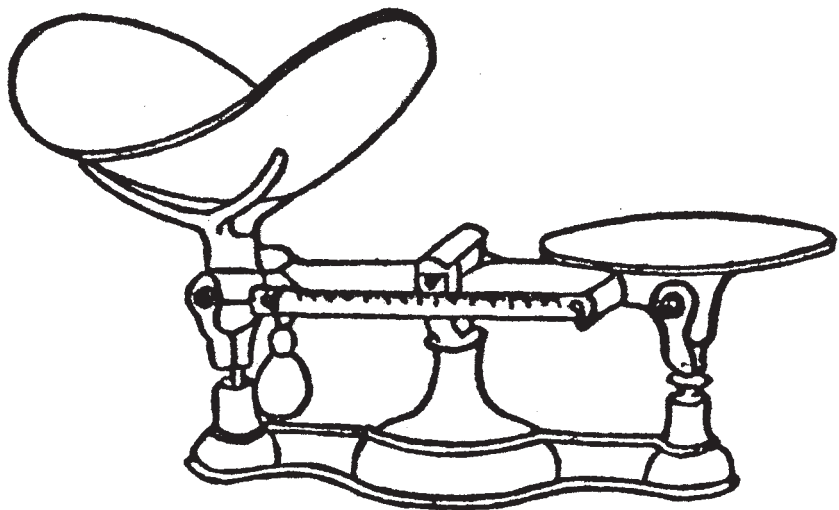


Figure 83

 FED OO-M-18, *Machines; Chopping (Grinding) Meat*, 29 Aug 39.

USA 28-98, *Sieve, Flour, 16-in*, 31 Aug 39.

FED LLL-P-381 *Pins, Rolling; Wood*,
 3 May 41.

JQD 127, Measures, Lipped, 20 May 42.
 JQD 222, Scraper, Dough, 6-in, 15 Mar 43.
 USA 28-46A, Graters, Large, Small and Nutmeg, 9 Nov 45.
 FED AAA-S-115 Scales, Weighing; Beam, Bench-or Counter 16 Apr 46
 FED FF-O-601a Openers, Can, 29 Jul 57.

POTS AND PANS

The *GRIDDLE, Cast-Iron* (figure 85) was rectangular, with round corners, rim and grease groove on top, and ribs on bottom. Cast with two handles, it was 25 inches long and 13-1/2 inches wide.

The *PAN, Baking and Roasting* (figure 86) was rectangular, with folded corners, reinforcement straps and wire drop handles. Formed of steel, it was 3 inches deep, 24 inches long, and 12 inches wide.

The *PAN, Cake* was round, with flat bottom, straight sides and a rolled-rim, lip edge. Pressed into shape from one piece of sheet tin, it was 1 inch deep and 9 inches across.

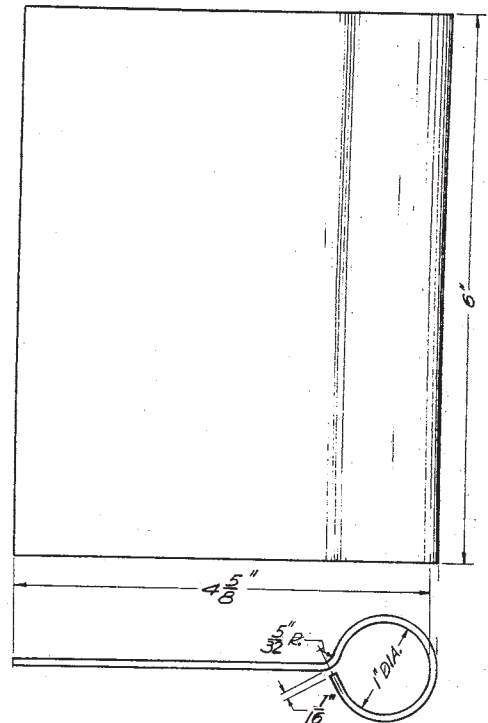


Figure 84

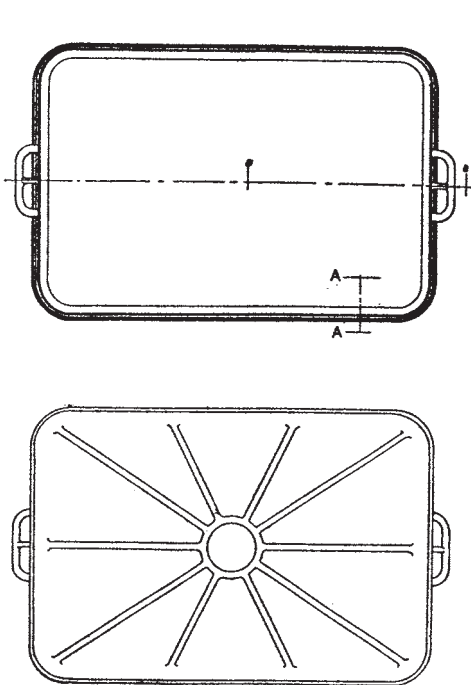


Figure 85

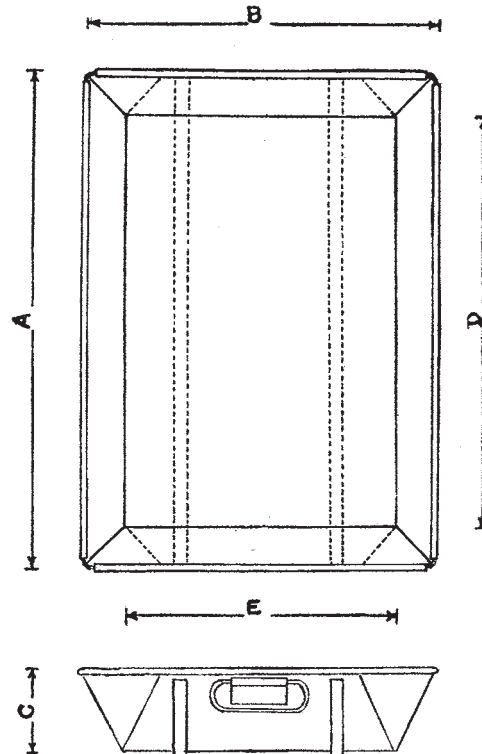


Figure 86

The *PAN, Dish, 21-quart* (figure 87) was circular, with sloping sides and a handle riveted to each side. Fabricated of tinned steel, it was 6 inches deep and 19-5/8 inches across.

The PAN, *Frying, 12-inch*, was circular, with a shielded handle, having a hole at the end. Fabricated of sheet steel, it was 2 inches deep, with a tin-protected, 10-1/4-inch-long handle.

The POT, *Stock, Aluminum, Ordinary, with Cover* (figure 88) was cylindrical, with a flat bottom and rolled rim. On each side was a welded, rod handle and on the cover, a welded strap handle. Drawn from one piece, it came in 10-gallon (17-1/4-inch by 13-7/8-inch) and 15-gallon (19-1/4-inch by 15-7/8-inch) capacities.

84

The POT, *Stock, Aluminum, with Faucet and Cover* (figure 88) was cylindrical, with a flat bottom and rolled rim. On each side, was a welded rod handle and, on the cover, a welded strap handle. Drawn from one piece, it came in 15-gallon (19-1/4-inch by 15-7/8-inch) and 20-gallon (20-1/4-inch by 17-7/8-inch) capacities, with an attached nickel-brass, lever-bibb cock at the bottom of each.

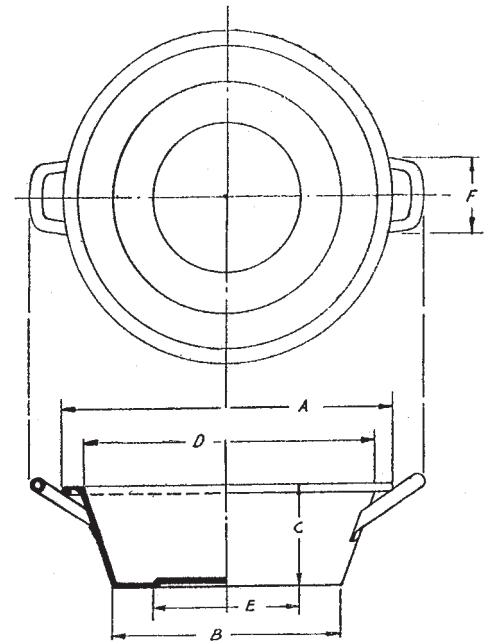


Figure 87

Pots and pans were the necessary vessels for cooking meals. Tin kettles and iron pots began as eighteenth century camp equipage, but not until 1885, did all kitchens receive garrison patterns. The early twentieth century established their shape and capacity with a series of tin boilers, changing to aluminum with the industry. But World War II conditions reversed this developmental progress and early materials and forms, with riveted handles, returned. During the ensuing peace, mess hall kitchens stewed their bill of fare in pots and pans of CRS.

-
- USA 28-19, *Pots, Stock, Aluminum*, 23 Dec 37.
 - QM File 2863, *Pan, Dish, 21-Quart, Retinned*, 6 Apr 38.
 - FED RR-G-681, *Griddles: Cast-Iron*, 17 May 40.
 - FED RR-P-62, *Pans, Cake: Tinned, Round*, 17 May 40.
 - FED RR-P-89, *Pans, Fry: Steel*, 17 May 40.
 - FED RR-P-55, *Pans, Bake and Roasting: Steel*, 3 May 41.
 - "Mobilization of Pot and Pan," *QM Review* Nov-Dec 41 pp 22-23

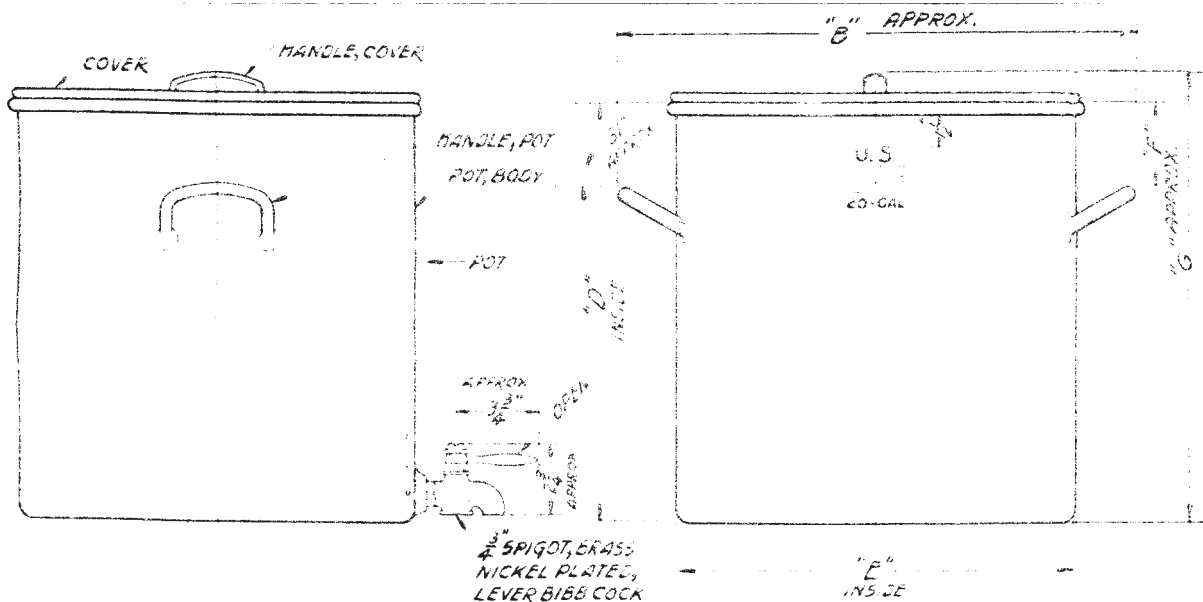


Figure 88

UTENSILS

The *DIPPER, Tin* (figure 89) was conical, riveted to a 45-degree handle with a hook at the end. Soldered together, it came in 1-quart (5-1/8-inch with 7-inch handle) and 2-quart (6-1/2-inch with 8-inch handle) sizes.

The *MASHER, Potato* (figure 90) was cylindrical, with a shaped handle, rounded to an end knob. Turned of hard wood, it was 18-1/2 inches long, with a 3-1/2-inch diameter and 7-inch long head.

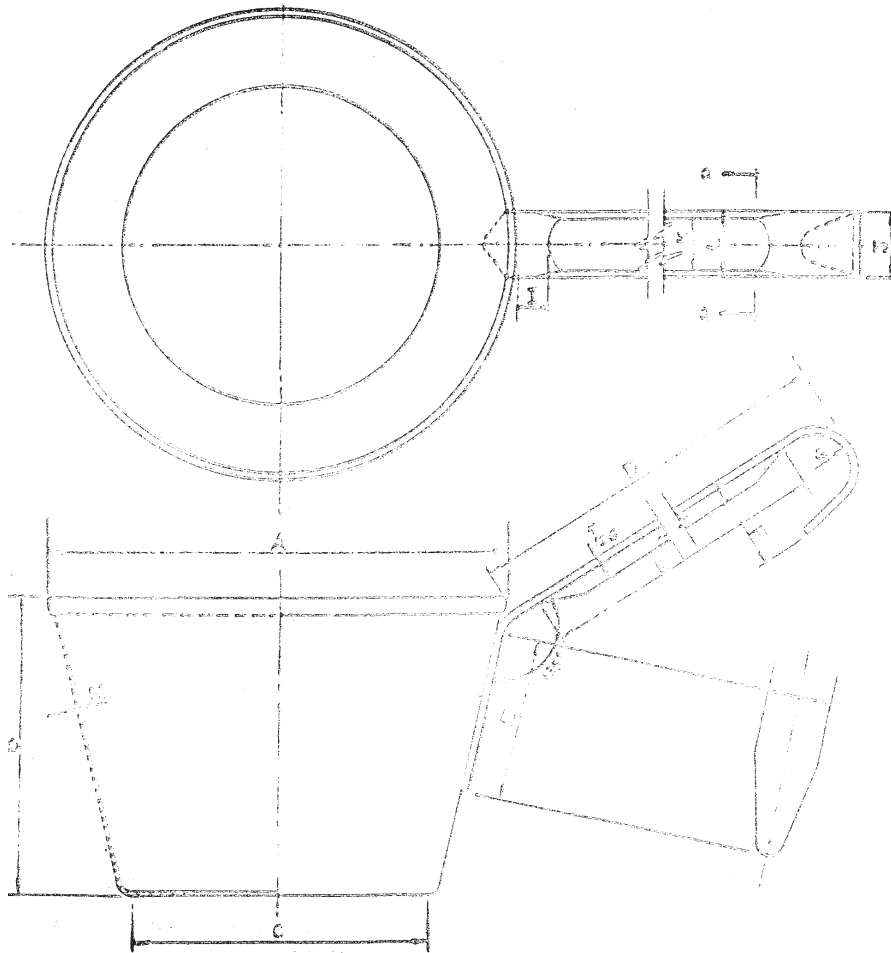


Figure 89

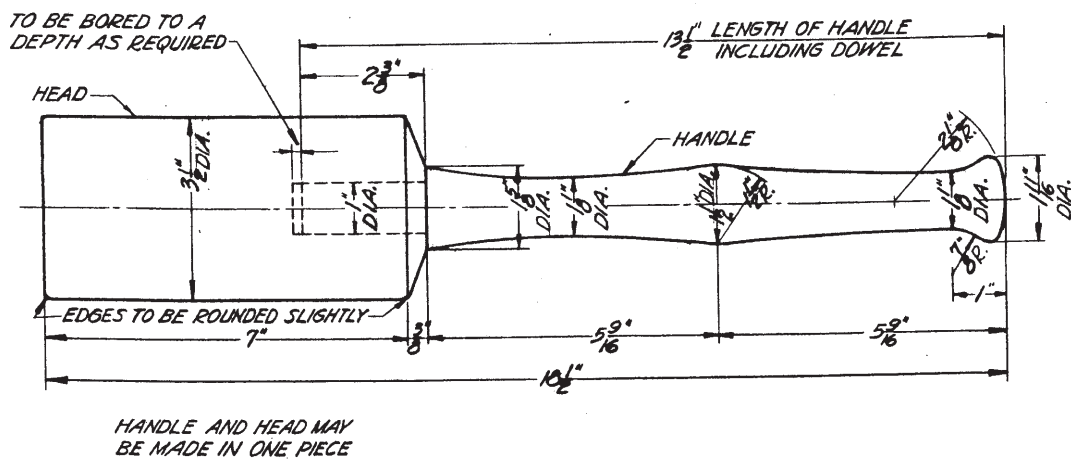


Figure 90

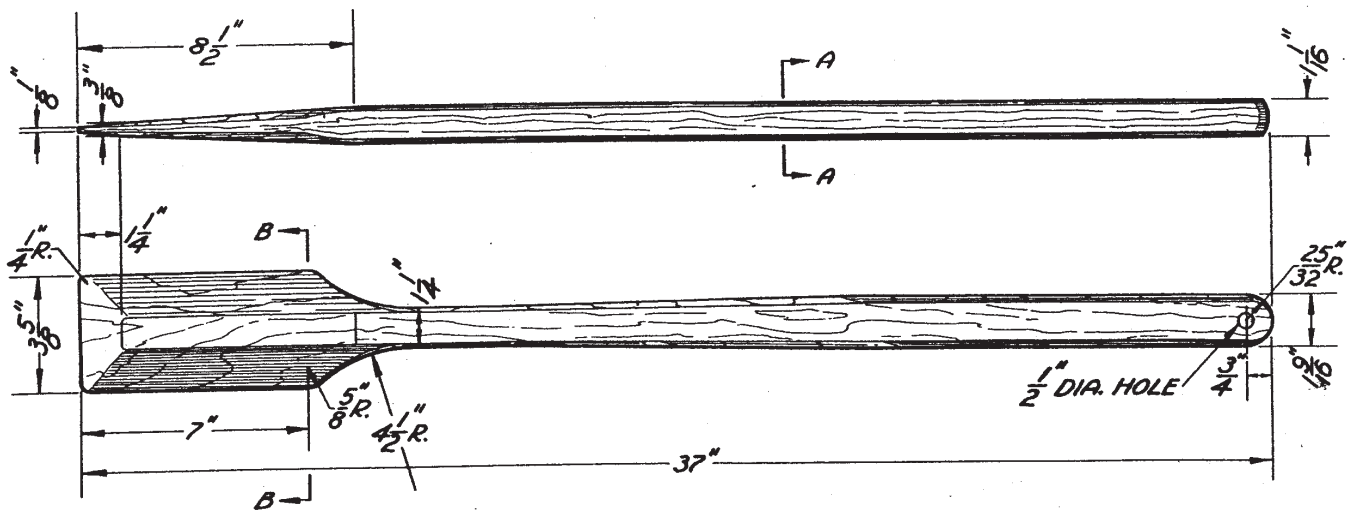


Figure 91

The *SPATULA, Wood* (figure 91) had a narrow handle with a wide wedge at one end. Carved from one piece, it was 37 inches long, with a 1-9/16-inch by 1-1/16-inch handle and 3-5/8-inch by 7-inch blade.

The *FORK, Cook, Flesh* (figure 92) had a flat handle with two tines at the narrow end and a hanging hole and hook at the wide end. Formed of tinned steel, it was 15 inches long and 1-3/16 inches wide.

The *LADLE, Soup* (figure 92) had a flat handle with an angled deep bowl at the narrow end and a hanging hole and hook at the wide end. Formed of tinned steel, it was 15 inches long and 4-1/2 inches wide.

The *SKIMMER* (figure 92) had a flat handle with a perforated blade at the narrow end and a hanging hole and hook at the wide end. Formed of tinned steel, it was 15 inches long and 5 inches wide.

The *SPOON, Basting* (figure 92) had a flat handle with a large bowl at the narrow end and a hanging hole and hook at the wide end. Formed of tinned steel, it was 15 inches long and 2-7/16 inches wide.

The *WHIP, Egg, Wire* had eight wire bows, fixed to a tube and wrapped with wire. Formed of steel, it was 3-1/4 inches wide with a 4-1/2-inch tin handle, and came in 10-inch, 12-inch, and 16-inch sizes.

Utensils included all implements necessary to prepare food. Based on civilian styles, they formed part of the 1889 allowance and evolved little in choice and quantity in the following years. Utensils show minimal pattern change with the coming of World War II. Due to material scarcities, articles changed from tin-plated steel to CRS stock, maintaining patterns and even adding more sizes. The coming of peace continued this trend, replacing wood with metal blade spatulas and wire potato mashers, while strengthening CRS utensils with narrow, corrugated handles.

FED RR-W-456, *Wireware; Bake-Shop and Kitchen*, 7 May 35.

USA 28-53, *Dippers, Tin*, 3 Jun 39.

QM File 2910, *Utensils, Cooking*, 15 May 40.

JQD Drawing X-1580, *Dipper*, 4 Apr 41.

JQD 199, *Spatula, Wood, 37-in*, 28 Aug 42.

JQD 201, *Masher, Potato, Wood*, 4 Sep 42.

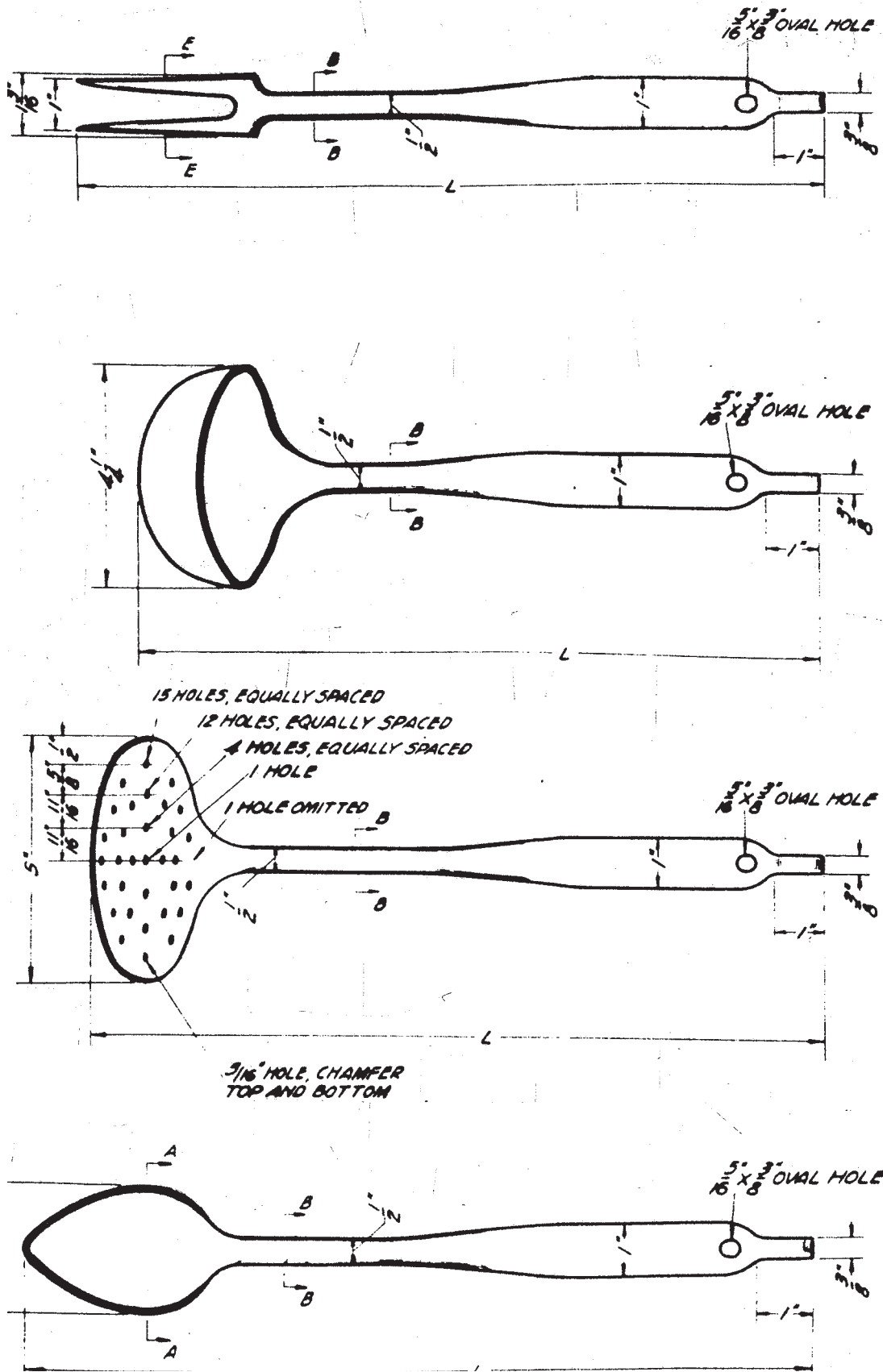


Figure 92

ARRANGEMENT OF MESS HALL DINING AREA

In the dining area, soldiers sat by unit organization and waiters brought dishes to the tables for “family-style” meals. “First three-graders” (Staff Sergeant, Technical Sergeant or First Sergeant and Master Sergeant) had separate mess tables. Detailed soldiers and KPs (kitchen police) arranged the mess hall dining area, per SOP, as follows:

88

Each TABLE, Mess set in parallel rows perpendicular to a central aisle. At each table, was a STOOL, Mess for each of the 10 soldiers (often one at each end) including one NCO. The “BUILT-IN” MESS TABLE (figure 93), constructed of wood for mobilization mess halls, used two attached benches.

Before mess call, the DRO (Dining Room Orderly) arranged each place setting of PLATE, Dinner, PLATE, Soup and CUP, Coffee, Unhandled of china thickware, with the metal KNIFE, Table, FORK, Table, SPOON, Table and SPOON, Tea and glass TUMBLER, 10-ounce.

The table center held the required number of chinaware BOWLS, Sugar and BOWLS, Mustard, the latter with a SPOON, mustard, the glass BOTTLE, Vinegar, SHAKER, Salt, with Metal Top and SHAKER, Pepper, with Metal Top, the large CRS PITCHER, Water, 2-1/2-gallon, M-1939 and perhaps the aluminum PITCHER, syrup, M-1940. At the ends was each BOWL, General-Use, stacked face to face, and each DISH, Vegetable and DISH, Pickle, all aligned by a stretched string.

Great care and creativity produced smart table arrangements, a point of unit pride besides delicious meals, but by 1942, these efforts were waning. Mobilization mess halls adopted “cafeteria-style” serving. There soldiers passed through an efficient chow line, their six-compartment CRS tray filled by KP servers. Table arrangements, service and Army etiquette were a memory.

 “Sanitation and Messes,” *Infantry Journal*, Jun 30, pp 593–600
 FM 21-10, *Military Sanitation and First Aid*, 31 Jul 40.
 QM Drawing 700-1129 *Mess Halls Miscellaneous Detail* Rev 16 Jan 41 TM 10-205, *Mess Management and Training*, 6 Jul 42
 TM 10-205, *Mess Management and Training*, 3 Oct 44
Company Administration (Harrisburg: Mil Pub Co, Jul 42) pp 59–65.

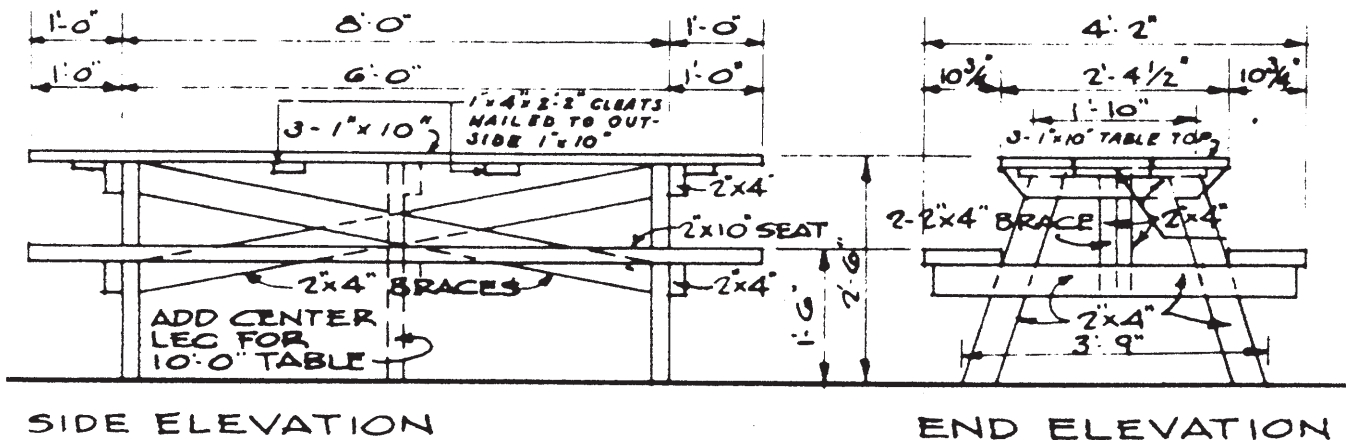


Figure 93

ARRANGEMENT OF MESS HALL KITCHEN AREA

The kitchen area housed equipment necessary to store and prepare food and clean dishes and the area after each meal. Detailed soldiers and KPs arranged the area, per SOP, as follows:

Suspended on the PAN RACK (figure 94) of the cook's work table, was the required number of each of the following: *CLEAVER, Butcher's*; *SAW, Butcher's*; *STEEL, Butcher's*; *GRATER, Vegetable*; 1/2-quart and 1-quart *MEASURE, Lipped, Ungraduated*; 1-quart and 2-quart *DIPPER, Tin*; *FORK, Flesh*; *LADLE, Soup*; *SKIMMER*; *SPOON, Basting*; 10-inch, 12-inch and 16-inch *WHIPS, Egg, Wire*.

Stacked on wall shelves (often a pipe frame for air drying) was the required number of each of the following: *PAN, Cake*; *PAN, Dish, 21-quart*; 10- to 15-gallon, *POT, Stock, Aluminum, Ordinary*; and 15- to 20-gallon, *POT, Stock, Aluminum, with Faucet*, their covers stored separately (often in a slotted vertical-rack).

89

Suspended, in a neat row, on a wooden wall bracket was the required number of each of the following: *Griddle, Cast-Iron*; *PAN, Bake and Roasting*; and *PAN, Fry, 12-inch*.

On or near the butcher's block to the right of the cook's work table was the required number of each of the following: *KNIFE, Boning*; *KNIFE, Bread*; *KNIFE, Butcher's*; and *KNIFE, Paring*.

Stored or positioned on the cook's work table was the required number of each of the following: *MACHINE, Meat and Food Chopping, Hand Operated* (clamped to table); *MASHER, Potato*; *OPENER, Can*; *PIN, Rolling*; *SCALE, Weighing Counter Scoop, 10-pounds*; *SCRAPER, Dough, 6-inch*; *SIEVE, Flour, 16-inch*; and *SPATULA, Wood, 37-inch*.

The kitchen area also stored excess tableware, chinaware, and glassware not in use. This included racks (often a pipe frame for air drying) holding table platters and water pitchers. Subject to inspection daily to ensure cleanliness of and accountability for station property, the kitchen area arrangement displayed a high degree of maintenance and orderliness, with all items in neat rows, precisely spaced and oriented in the same direction.

 "Sanitation and Messes," *Infantry Journal*, Jun 30, pp 593-600
 FM 21-10, *Military Sanitation and First Aid*, 31 Jul 40.
 QM Drawing 700-1129 *Mess Halls Miscellaneous Detail* Rev 16 Jan 41
 TM 10-205, *Mess Management and Training*, 3 Oct 44.

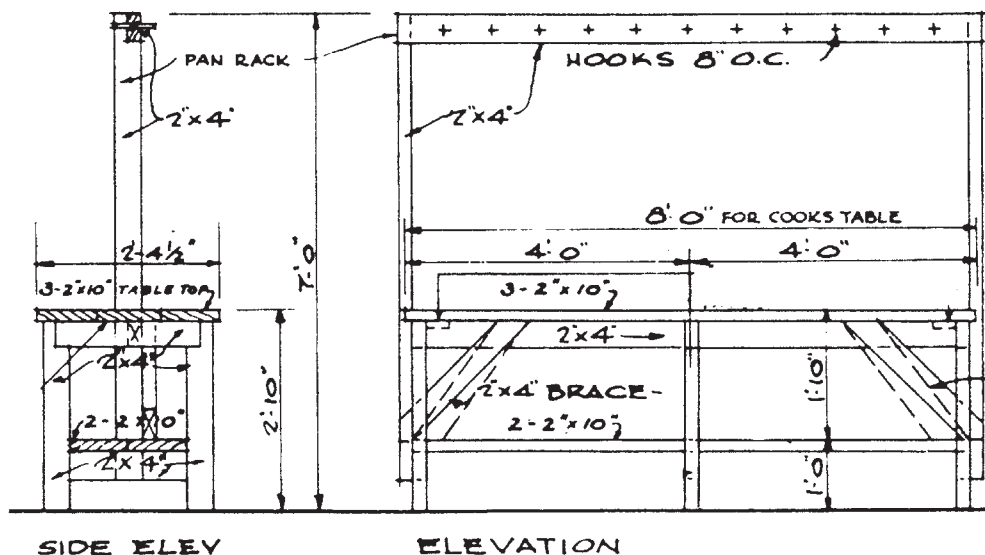


Figure 94



Figure 95: Interior of a barracks building at Fort Cronkhite taken by Private Anton T. Sterba, Battery A, 56th Coast Artillery Regiment, on June 26, 1941. Courtesy Anton T. Sterba.

Photographic Evidence of Barracks Interiors

Private Anton T. Sterba, who was stationed at Fort Cronkhite from June 1941 until February 1942, was assigned to Battery A, 56th Coast Artillery, which served 155mm mobile artillery. His unit moved into the barracks at Fort Cronkhite as soon as the barracks were habitable, in June of 1941. Figure 95 was taken shortly after Sterba moved in. This snapshot shows that the first soldiers to occupy Building 1059 used canvas folding cots. Private Sterba remarks on the photo, “We were mobile so we didn’t have the usual beds.” Since there was no headboard or footboard on the folding cot, the barracks bags, individual equipment and helmet are hung on the wall with nails. Clothing shelves had not yet been installed on the walls.

Figure 95 also shows the pattern wooden box locker. A suitcase is under the cot, probably containing civilian clothes; neither the suitcase nor the civilian clothes would have been in the barracks after December 7, 1941. The windows appear to be covered by pull shades.



Figure 96: Interior of a barracks occupied by F Battery, 56th Coast Artillery, West Portal area, Fort Barry, California, 1941. Courtesy Presidio Army Museum, negative box 6, photograph box 11.

Battery F, 56th Coast Artillery was quartered in former CCC barracks at Fort Barry, a sister post built just across Rodeo Lagoon from Fort Cronkhite (figure 96). The use of wall lockers and foot locker stands in this barracks gave it a much more permanent appearance than the squad room in the 700-Series barracks. None of the clothing or equipment is in view, but the M-1938 single bedstead and the trunk locker are clearly visible. This is a key piece of evidence: the use of the M-1938 single bedstead and trunk locker in 1941 at a Coast Artillery Corps post whose headquarters was at Fort Cronkhite. The stand for the foot locker was not an item issued by the Army. The stands might have been made at Fort Barry or may have been used at all posts in the Harbor Defenses of San Francisco. However, these stands were not used uniformly throughout the Ninth Coast Artillery District.



Figure 97: Interior of a barracks at Fort Rosecrans, San Diego, California, 1941-43. Courtesy Cabrillo National Monument, accession no. 288, catalog no. 1224.

Fort Rosecrans in San Diego was also in the Ninth Coast Artillery District. Figures 97 and 98 were taken in a barracks at Fort Rosecrans in 1941-43. They confirm that the customary bunk used in a Ninth Coast Artillery District 700-series barracks was an M-1938 single bedstead.

Figure 97 shows the barracks ready for inspection. The photographer is standing at the front of the squad bay on the first floor, looking toward the rear of the barracks. The barracks orderly is standing at attention in the aisle. One soldier performed this duty every day in each barracks, Army-wide. The barracks orderly's duties included fire and theft prevention and helping to keep the barracks clean. The trunk lockers are closed but unlocked, so that the inspecting officer can open and inspect them. The full equipment and the model 1917A-1 helmet are displayed at the aisle end of each bedstead. The comforter is rolled at the foot of the bunk. Shelves have been constructed between each window. These shelves were not part of the original 700-Series plans, but many photographs confirm that they were added very early on. A circular arm rack containing a number of U.S. Model 1903 bolt action rifles stands against the rear wall. Walls, ceiling, and floor appear to be unpainted, with the possible exception of the upright support posts. The forced-air heating ducts are visible overhead. A standard water fountain is located in the corner and a fire extinguisher is mounted on the back wall.



Figure 98: Interior of a barracks at Fort Rosecrans, San Diego, California, 1941–43. Courtesy Cabrillo National Monument, accession no. 288, catalog no. 1227.

Figure 98 is a close-up of the last bunk on the right side of the squad bay. (Notice the battery's pet dog asleep on the comforter!) The blanket is fitted tightly around the mattress. The pillow is exposed and sitting on top of the blanket. Two barracks bags are tied at the head of the bunk. Under the bunk is a cardboard box with a top, which was probably used for personal items and would normally not be subject to inspection. A bulletin board is mounted on the back wall, and the doors are fitted with screen doors. Again, no building surfaces appear to be painted.



Figure 99: Barracks Inspection, 161st Signal Company, Fort Benning, GA, 15 July 1941. Courtesy National Archives, RG111-SC-124064.

Figure 99 shows Selectee PVT Frank V. DeToro, wearing the cotton-khaki, summer service uniform, standing by his bunk for a full-field inspection. Reflecting the effects of mobilization on supply, the photograph shows an interesting combination of the metal wall locker, authorized for permanent barracks, and the canvas folding cot, used in cantonments. The clothing and equipment layout also includes an early M-1918 meat can mated with the late M-1926 knife, fork, and spoon, and a training gas mask substituted for the service gas mask. Plus, the display features a pistol and revolver belt with holster and canvas field bag, equipment authorized by the Signal Corps T/BA, instead of the familiar pocketed cartridge belt and haversack-pack carrier combination.



Figure 100: Interior of barracks, second floor, 161st Signal Company, Fort Benning, Georgia. Courtesy National Archives, RG111-SC-124044.

This photograph was taken on the second floor looking toward the front of the barracks. Two of the canvas folding cots that furnish this room are placed in the center aisle. These folding cots, which could not be stacked, were designed for use in cantonments. The clothing is hung on brackets that project into the room, instead of on a shelf along the wall. Note that there are no comforters and that the second blanket is used to cover the pillow.



Figure 101: Interior of barracks, second floor, Fort Rosecrans, California, 1940–42. Courtesy Cabrillo National Monument, uncataloged scrapbook.

This photograph shows a second-floor squad room at a slightly earlier period (1940–41). The bedsteads are M-1938. Note that the clothing is suspended from a pole or pipe secured to the roof beams. Again, none of the wood surfaces appear to be painted.



Figure 102: Probably the interior of the Marine barracks at the Navy yard in San Diego, California, 1940–42. The photograph is labeled “Chaddock Marine Barracks.” Cabrillo National Monument, uncataloged scrapbook.

Although this is probably the Marine barracks at the Navy yard in San Diego, California, the equipment does not appear to be standard Marine Corps issue. The use of the M-1917A1 helmet indicates that the photograph was taken in the early 1940s. This squad room is exactly like the Army barracks, including the M-1938 single bedstead, which suggests that an Army unit was occupying former Marine barracks. Notice the radio sitting on top of a trunk locker, at the back of the room. The radio would be out of sight during an inspection.

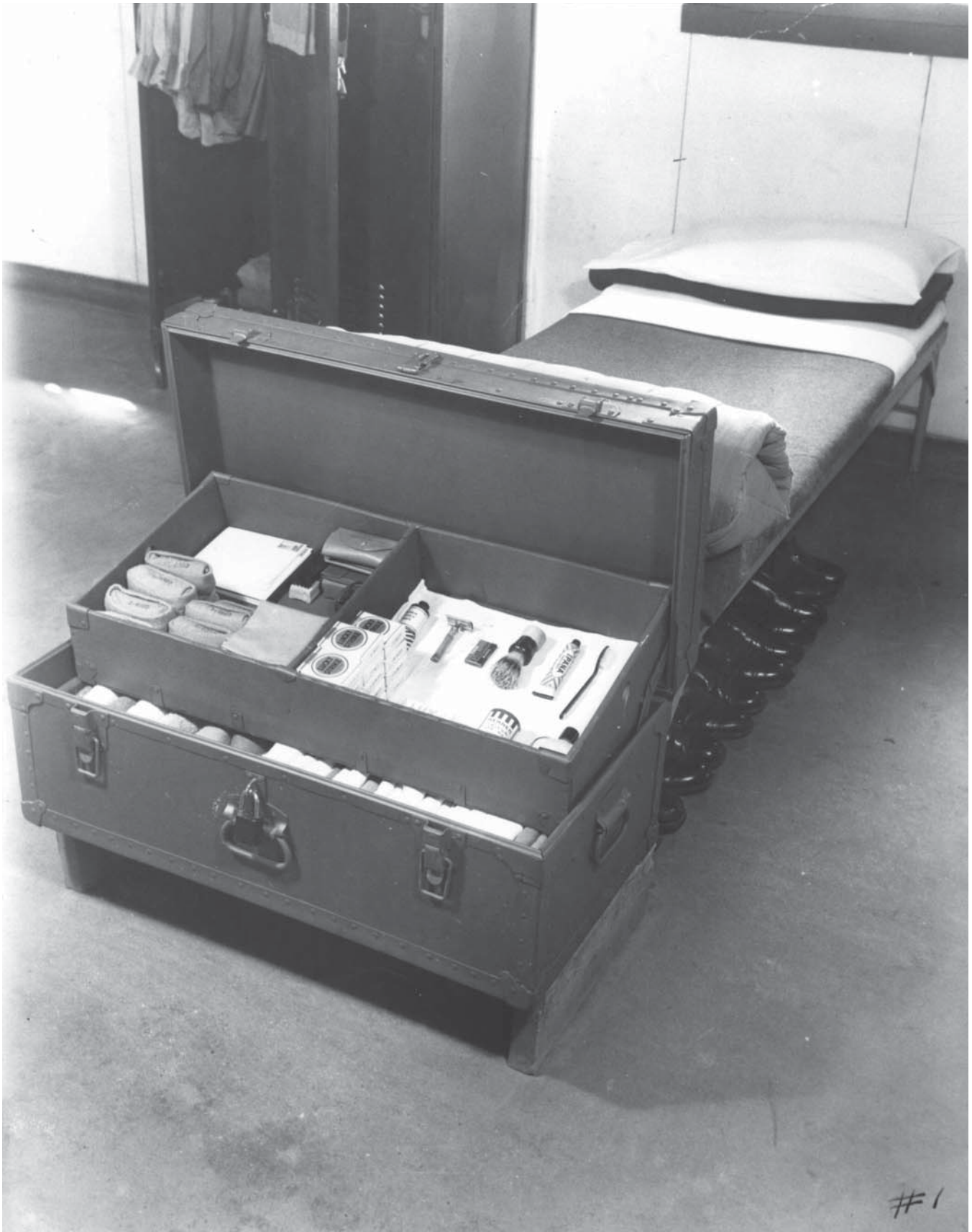


Figure 103: Open trunk locker in barracks, Fort Lewis, Washington, ca. 1941. The SOP kit is laid out on a white towel or cloth. Note the way the socks are rolled and stamped with the soldier's mark: the first initial of the last name and the last 4 digits of the serial number. Courtesy Ft. Lewis Military Museum, Ft. Lewis, WA.



Figure 104: Closed trunk locker in barracks, with bedding folded and stacked for airing, Fort Lewis, Washington, ca. 1941. Courtesy Ft. Lewis Military Museum, Ft. Lewis, WA.



Figure 105: Bed and locker prepared for everyday use in barracks, Ft. Lewis, Washington, ca. 1941. The trunk locker is closed and the extra blanket is folded over the pillow and sheets to prevent the linen from being soiled. The comforter is rolled at the foot of the bed. Courtesy Ft. Lewis Military Museum, Ft. Lewis, WA.



Figure 106: Open metal wall locker in barracks, Ft. Lewis, Washington, ca. 1941. Note that all the hanging garments are facing in the same direction with the shoulder insignia displayed. Courtesy Ft. Lewis Military Museum, Ft. Lewis, WA.



Figure 107: Another barracks at Fort Lewis before the installation of metal wall lockers, ca. 1941. Images from the early war period reveal that posts devised a variety of methods to hang garments. Courtesy, Fort Lewis Military Museum, Fort Lewis, WA.

Photographic Evidence of Mess Hall Interiors

Dining room

The use of “built-in” mess tables and the lack of china indicate that the mess dining room in figure 108 is located in a 700-Series building. Although the condiments on the table differ from one mess hall to another, within the same dining room the items on each table are identical, both in type and arrangement. There are no window treatments on the double windows except for pull shades and there are no pictures hanging on the walls. This might indicate that this photograph was taken early 1940-41. WWII veterans recall that recognition cards were hung on the mess hall walls near the ceiling to aid the men with identifying friendly and enemy vessels and aircraft.¹³

103



Figure 108: Mess Hall dining room, Camp Edwards, MA, ca. 1940. Courtesy, Historical Division, Ft. Belvoir, VA.

¹³ Interview with Edward T. Peeples, former lieutenant, 6th Coast artillery, stationed at Fort Casey, Washington, conducted May 21, 1998.



Figure 109: Mess Hall dining room, Camp Callan, 1941-42. Courtesy Cabrillo National Monument, accession no. 1296, catalog # 1358.

The double windows and finished ceiling of the mess hall shown in figure 109 indicate that this is a 700-Series building. The tables are set for a meal with individual soup and dinner plates plus the large CRS (corrosion-resistant steel) water pitcher. The pictures on the walls and the valances and drapery at each window indicate that the unit assigned to this mess hall has occupied it for some time.

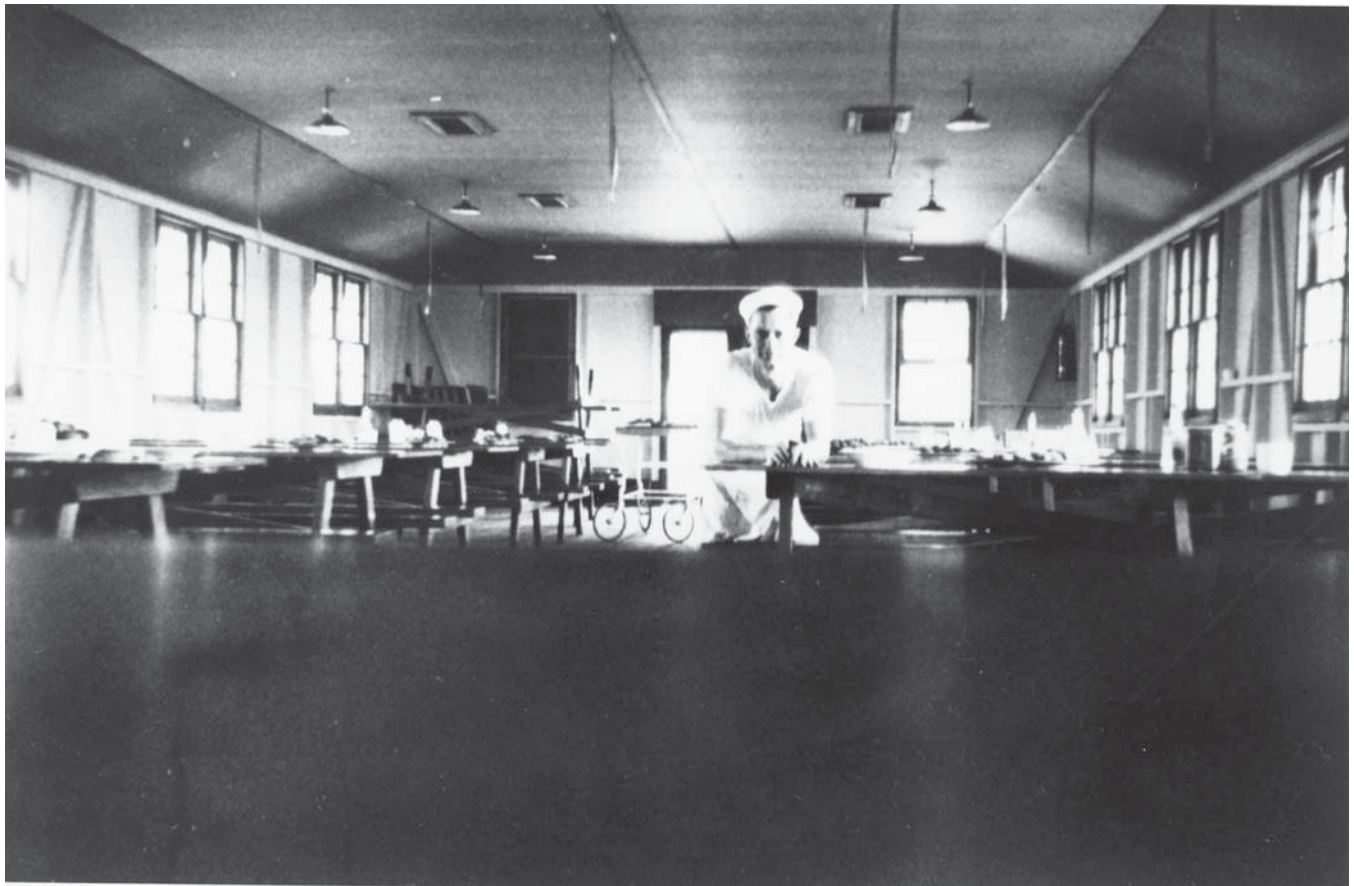
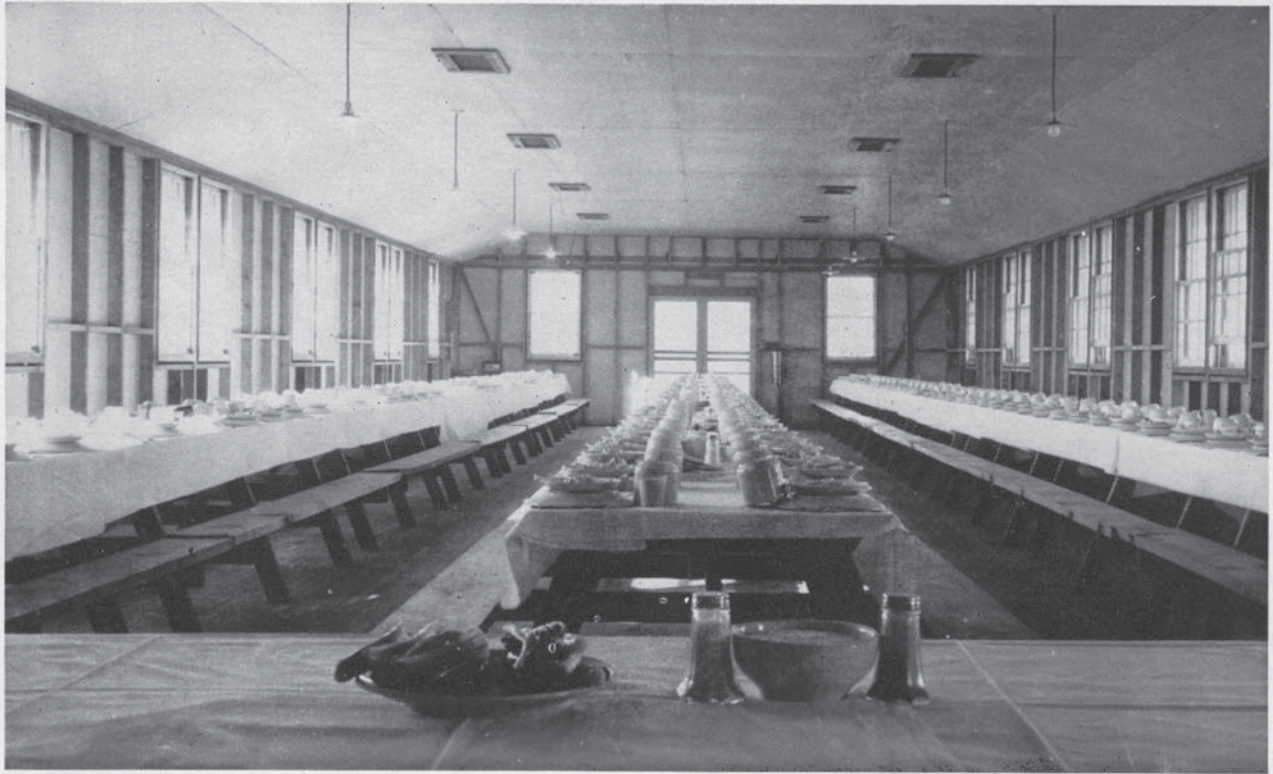


Figure 110: Mess Hall dining room, Fort Miley, 1941. Courtesy Golden Gate NRA.

The double windows in the interior indicate that the mess hall at Fort Miley shown in figure 110 is a 700-series mess hall. The cook in this photo is wearing a distinctive white cook's and baker's hat. A waiter would pick up the food at the kitchen window and bring it to the table; the bowls and platter would then be passed around the table, each man taking what he desired. The flypaper hanging from the finished ceiling kept the flying occupants under control. The interior walls have not been finished and the windows contain blackout screens.



MESS HALL AT CAMP ROBERTS, CALIFORNIA

Figure 111: Mess Hall dining room, Camp Roberts, California, probably 1940-41. Postcard, uncataloged, courtesy Golden Gate NRA.

The walls of the Camp Roberts mess hall shown in figure 111 are unfinished, like those in figures 110 and 112. The tables are arranged in three rows with tablecloths, which indicates they were preparing a holiday meal—Christmas, Thanksgiving, or the Fourth of July.



Figure 112: *Mess Hall dining room, Fort Lewis, Washington, ca. 1941. Courtesy of Fort Lewis Military Museum, Fort Lewis, Washington.*

The presence of potbelly stoves confirm that this photo was taken outside of California, where the buildings used forced hot air heat. Note the sugar bowls along the walls and the tablespoons sticking out from under the dinner plates, to help with turning the plates over.



Figure 113: Kitchen in Mess Hall, 161st Signal Company, Fort Sam Houston, September 8, 1942. Courtesy NARA, RG111-SC-145790.

Kitchen area

The walls in the 700-Series mess hall shown in figure 113 remain unfinished. The shelf that holds the 10- and 15-gallon ordinary aluminum stock pots and the 15- and 20-gallon stockpots with faucets is a modification to the structure that was done by the local command. Note the welded handles, which distinguish the pots from early tin or later CRS, those having riveted handles. The white thickware general-use bowls, sugar bowls, soup plates, mustard pots and sauce boats on the counter are QMC standard issue. The tables are set for serving, with the handleless coffee cups sitting on top of the dinner plates.



Figure 114: Kitchen in Mess Hall, Cooks and Bakers School, Camp Forrest, Tennessee, January 20, 1942. Courtesy NARA RG111-SC-133703.

In the kitchen at Camp Forrest (figure 114), the modifications made to the original plans include a refrigerator in the doorway to the eating area and a rack for CRS water pitchers above the serving counter. There is no butcher block at the end of the cook's work table, but the pan rack is hanging above the table, as called for in the specifications. It holds (from left to right) the whip, butchers' steel, dipper, skimmer, ladle, basting spoon, butchers' saw, and lipped measure. Venetian blinds cover the windows in the eating area seen in the background of the photograph.

Furnishings Plan

Recommended Furnishings

Building 1059 – Barracks

113

Evidence suggests that Barracks Building 1059 housed the 56th Coast Artillery.¹⁴ For this reason this report recommends that one of the batteries be represented in building 1059.

The most difficult question to address in this plan is whether to furnish the barracks with the M-1938 bedstead. Although the steel folding cot was available during the interpretive period, all of the photographs of Coast Artillery regiments on the West Coast, whether in pre-war barracks or the 700-Series, show the M-1938 bedstead. The exceptions were some mobile 155mm batteries, which used the canvas folding cot intended for cantonment use only. Although the steel folding cot has survived in large numbers, this furnishings plan recommends the M-1938 bedstead. If funding is a problem, the steel folding cot could be used until it could be replaced by the M-1938 single bedstead.

Squad Room

About 23 soldiers lived in this squad room. All of their clothing, individual equipment and weapons were here for all to see during inspections. This furnishings plan uses a unit SOP (Standing Operating Procedure) as the guide for this space. This is supported by figure 97, which shows a similar arrangement in use on a Coast Artillery Corps post in California. All Army units had a SOP, and although there were minor variations from post to post, within units there were no variations in arrangement of equipment for inspections. Mimeographed sheets illustrating the unit SOP were issued to every soldier and were generally placed on the underside lid of the trunk locker.

OBJECT(S) AND LOCATION	DOCUMENTATION	RECOMMENDATION
Bedstead , single, M-1938, 19; spaced along both walls	Table of Allowance, September 1934, hereafter referred to as T/A; Standing Operating Procedure, hereafter referred to as SOP.	Reproduce
Card holders , bedstead, metal, with card, 19; on aisle end of each bunk	T/A	Reproduce.
Lockers , trunk or box, 19; at aisle end of each bunk	T/A	Reproduce.

14 Graffiti on the walls of the boiler room in that building includes the names of at least two soldiers who were members of the 56th Coast Artillery. Memorandum from General Superintendent, Golden Gate NRA to Chief, Division of Historic Furnishings, HFC, undated, ca. 3 Feb 2000.

OBJECT(S) AND LOCATION	DOCUMENTATION	RECOMMENDATION
Mattresses , cotton felted, 19; on bunks	T/A	Select among GOGA 29053 (four with this number); GOGA 29056 (two with this number); GOGA 29057 (two with this number); GOGA 29054 (three with this number); GOGA 29055; GOGA 29062; GOGA 29060; GOGA 29059 (two with this number); GOGA 29058 (two with this number); GOGA 29057 (two with this number); and GOGA 29061. Mattresses are stored on both floors of barracks building.
Pillows , feather, blue and white ticking, 19; on bunks	T/A	Select from uncataloged pillows in collection, second floor barracks storage.
Blankets , 38; two on each bunk	T/A	Reproduce.
Comforters , 19; one on each bunk	T/A	Reproduce.
Built-in shelves , 10; eight on north and south walls; two on east wall, both sides of door to Sergeant's Room	Original shelves remain in situ	Use shelving in place. No catalog numbers
Chairs , barracks, 7, spaced against wall or in day room	T/A	Use GOGA 27256-8; locate four additional.
Rack , arm, wood, painted olive drab, on floor near west wall	T/A and figure 97	Use GOGA 20421 (stored upstairs).
Rifles , Caliber .30, M-1903, 19; locked in arm rack	T/BA 4 and figure 97	Use original, if possible. Otherwise reproduce.
Gun slings , M-1907, 19; attached to rifles	T/A	Use originals, if possible. Otherwise reproduce.
Water fountain , mounted on wall at west end of building	QM 700-1165 and figure 101	Restore original.
Fire extinguisher , soda and acid, 2½-gallon; mounted on back wall	T/A and figure 8	Use original, if possible. Otherwise reproduce.
Fire buckets , 2; near exits	T/A	Use original, if possible. Otherwise reproduce.
Butt cans , painted red, 6; nailed onto supports	Common usage. For cigarette butts	Reproduce.
Bulletin board , 3'x 4', mounted on back wall near door	QM 700-1165 and figure 98	Use original, if possible. Otherwise reproduce.
Light fixtures , 10; attached to ceiling	Physical evidence. Original ceramic bases in place	Use original ceramic bases and eight original reflectors located on second floor (no catalog numbers). Reproduce two reflectors.

The first bunk on the right in the squad room and as many others as the budget allows are to be fully furnished to reflect the living space of each soldier, perhaps ready for inspection. All of the clothing and equipment issued has been listed to allow for setting up the bunk for a full field layout on the bedstead. In addition to the above objects each furnished space will need the following:

OBJECT(S) AND LOCATION	DOCUMENTATION	RECOMMENDATION
Mattress cover , cotton; on bunk	T/A	Reproduce.
Pillowcase , cotton; on pillow	T/A	Reproduce.
Sheets , cotton, 2; on bunk	T/A	Reproduce.
Blanket , wool, OD, M-1934; on bunk	T/BA-21	Select from GOGA 20285.
Comforter , cotton-filled, OD; rolled at foot of bunk per SOP	WD Cir 93	Reproduce.
Barrack bag , blue-denim; tied at head of bunk per SOP	T/BA-21	Reproduce.
Shoes , service, 2 pair, Russet-90; under foot of bunk per SOP	T/BA-21	Use originals if possible; otherwise reproduce.
Shoes , shower, 1 pair, commercial pattern; under foot of bunk per SOP	Unit SOP	Use originals if possible; otherwise reproduce.
Shorts drawers , 3 pair, white cotton; rolled in foot locker per SOP	T/BA-21	Reproduce.
Undershirts , sleeveless, 3, white cotton; rolled in foot locker per SOP	T/BA-21	Reproduce.
Drawers , wool, 3 pair, white; rolled in foot locker per SOP	T/BA-21	Reproduce.
Undershirts , wool, 3, white; rolled in foot locker per SOP	T/BA-21	Reproduce.
Towel , huck, white; in foot locker tray per SOP	T/BA-21	Use original if possible; otherwise reproduce.
Shaving brush , boar-bristle; in foot locker tray per SOP	T/BA-21	Use original if possible; otherwise reproduce.
Toothbrush , plastic; in foot locker tray per SOP	T/BA-21	Use original if possible; otherwise reproduce.
Comb , hard-rubber, black; in foot locker tray per SOP	T/BA-21	Use original if possible; otherwise reproduce.
Safety razor , brass, with 5 blades; in foot locker tray per SOP	T/BA-21	Use original if possible; otherwise reproduce.
Tooth powder , commercial pattern; in foot locker tray per SOP	Unit SOP	Use original if possible; otherwise reproduce.
Shaving stick , commercial pattern; in foot locker tray per SOP	Unit SOP	Use original if possible; otherwise reproduce.
Soap , commercial pattern; in foot locker tray per SOP	Unit SOP	Use original if possible; otherwise reproduce.
Gloves , woolen, OD, 1 pr.; in foot locker tray per SOP	T/BA-21	Use original if possible; otherwise reproduce.

OBJECT(S) AND LOCATION	DOCUMENTATION	RECOMMENDATION
Handkerchiefs , cotton, white, 3; folded in foot locker tray per SOP	T/BA-21	Use original if possible; otherwise reproduce.
Necktie , black, M-1940; in foot locker tray per SOP	T/BA-21	Use original if possible; otherwise reproduce.
Neckties , cotton, khaki, 2; in foot locker tray per SOP	T/BA-21	Use original if possible; otherwise reproduce.
Socks , cotton, tan, 4 pair; rolled in foot locker tray per SOP	T/BA-21	Use original if possible; otherwise reproduce.
Socks , light-wool, white, 3 pair; rolled in foot locker tray per SOP	T/BA-21	Use original if possible; otherwise reproduce.
Raincoat , dismantled, rubberized, M-1938; on clothes rod hanger per SOP	T/BA-21	Use original if possible; otherwise reproduce.
Overcoat , wool, roll-collar, OD; on clothes rod hanger per SOP	T/BA-21	Use original if possible; otherwise reproduce.
Insignia , shoulder sleeve, 9CA District; on overcoat left sleeve	AR 600-40	Use original if possible; otherwise reproduce.
Field jacket , cotton, OD; on clothes rod hanger per SOP	T/BA-21	Use original if possible; otherwise reproduce.
Shirts , cotton, khaki, 4; on clothes rod hanger per SOP	T/BA-21	Use original if possible; otherwise reproduce.
Shirt , wool, OD; on clothes rod hanger per SOP	T/BA-21	Use GOGA 20557 (2 of 2) ["flannel shirt, olive drab"].
Trousers , cotton, khaki, 4 pair; on clothes rod hanger per SOP	T/BA-21	Use original if possible; otherwise reproduce.
Trousers , wool, OD, 1 pair; on clothes rod hanger per SOP	T/BA-21	Use GOGA 20569 (1 of 4) ["Trousers, wool serge"].
Bath towel , terry, white; on hanger or foot locker per SOP	T/BA-21	Use original if possible; otherwise reproduce.
Garrison caps , cotton, khaki, 2; on shelf per SOP	T/BA-21	Use original if possible; otherwise reproduce.
Working hat , blue-denim; on shelf per SOP	T/BA-21	Use original if possible; otherwise reproduce.
Working coats , blue-denim, 3; on shelf or wall locker bottom per SOP	T/BA-21	Use original if possible; otherwise reproduce.
Working trousers , blue-denim, 3 pair; on shelf or wall locker bottom per SOP	T/BA-21	Use original if possible; otherwise reproduce.
Leggings , canvas, khaki, M-1938, 1 pair; on shelf or wall locker bottom per SOP	T/BA-21	Use original if possible; otherwise reproduce.
Service gas mask , w/carrier, strap; head of bunk per SOP	T/BA-4	Use original.
Haversack , duck, OD, M-1928/M-1910; strap to foot of bunk per SOP	T/BA-4	Use original if possible; otherwise reproduce.
Meat can , aluminum, M-1932/M-1918; in haversack meat-can pouch	T/BA-21	Use original.
Fork , M-1926/M-1910; in haversack meat-can pouch	T/BA-21	Use original.

OBJECT(S) AND LOCATION	DOCUMENTATION	RECOMMENDATION
Knife , M-1926/M-1910; in haversack meat-can pouch	T/BA-21	Use original.
Spoon , M-1926/M-1910; in haversack meat-can pouch	T/BA-21	Use original.
Pack carrier , duck, OD, M-1928/M-1910; coupled to haversack per SOP	T/BA-4	Use original.
Shelter tent half , with guy line, duck, OD; rolled in pack carrier	T/BA-21	Use original.
Blanket , wool, OD, M-1934; rolled in shelter tent	T/BA-21	Use original if possible; otherwise reproduce.
Shelter tent pins , wood, 5; rolled in shelter tent	T/BA-21	Use originals.
Shelter tent pole , wood, folding; rolled in shelter tent	T/BA-21	Use originals.
Shorts drawers , cotton, white, 1 pair; rolled in blanket	T/BA-21	Use original if possible; otherwise reproduce.
Handkerchief , cotton, white; rolled in blanket	T/BA-21	Use original if possible; otherwise reproduce.
Socks , light-wool, white, 1 pair; rolled in blanket	T/BA-21	Use original if possible; otherwise reproduce.
Towel , huck, white; rolled in haversack	T/BA-21	Use original if possible; otherwise reproduce.
Undershirt , sleeveless, cotton, white; rolled in blanket	T/BA-21	Use original if possible; otherwise reproduce.
Helmet , steel, M-1917A1; strap to haversack per SOP	T/BA-21	Use GOGA 26634.
Cartridge belt , Cal.30, dismounted, OD; strap to foot of bunk per SOP	T/BA-4	Use original.
Bayonet , M-1905; in bayonet scabbard, ring forward	T/BA-4	Use original.
Bayonet scabbard , M-1910; on left side of cartridge belt	T/BA-4	Use original.
First-aid packet pouch , M-1924/M-1910, OD; on right rear of cartridge belt	T/BA-21	Use original.
First-aid packet , Carlisle/M-1907; in first-aid packet pouch	T/BA-4	Use original.
Canteen , aluminum, M-1910; in dismounted canteen cover	T/BA-21	Use original.
Canteen cup , aluminum, M-1910; in dismounted canteen cover	T/BA-21	Use original.
Canteen cover , dismounted, M-1910; on left rear of cartridge belt	T/BA-21	Use original.
Garrison cap , serge, OD, with CAC braid; on shelf	AR 600-35	Use GOGA 26157 ["service cap, olive drab wool"] or GOGA 35009 ["service cap, olive drab wool"].

If funding is available, a fully dressed manikin will stand at attention near his bunk. The manikin will wear the following items:

OBJECT(S) AND LOCATION	DOCUMENTATION	RECOMMENDATION
Service coat , wool, M-1939, OD-33; on soldier	AR 600-35	Use GOGA 20386 ["coat with EM collar insignia and 6 th Coast Artillery patch"] or use unassociated original service coat with original collar insignia and sleeve patch.
EM BOS collar insignia , M-1937, CAC; on service coat left collar	AR 600-40	Use original if possible; otherwise reproduce.
EM U.S. collar insignia , M-1937; on service coat right collar	AR 600-40	Use original if possible; otherwise reproduce.
Shoulder sleeve insignia , 9CA District; on service coat left shoulder	AR 600-40	Use original if possible; otherwise reproduce.
EM leather belt ; on soldier	AR 600-35	Use original if possible; otherwise reproduce.
Trousers , wool, OD-32, 1 pair; on soldier	AR 600-35	Use GOGA 20569 (1 of 4) ["Trousers, wool serge"].
Web waist belt , M-1937; on soldier	AR 600-35	Use original if possible; otherwise reproduce.
Shirt , wool, OD-31; on soldier	AR 600-35	Substitute GOGA 20557 (1 of 2) ["Flannel shirt, olive drab"].
Necktie , wool, black, M-1940; on soldier	AR 600-35	Use original if possible; otherwise reproduce.
Undershirt , sleeveless, cotton, white; on soldier	T/BA-21	Use original if possible; otherwise reproduce.
Shorts drawers , cotton, white, 1 pair; on soldier	T/BA-21	Use original if possible; otherwise reproduce.
Handkerchief , cotton, white; in trousers pocket	T/BA-21	Use original if possible; otherwise reproduce.
Socks , cotton, tan, 1 pair.; on soldier	AR 600-35	Use original if possible; otherwise reproduce.
Service shoes , Russet-90, 1 pair; on soldier	AR 600-35	Use GOGA 24709 a&b ["service shoes, one pair"].
Monel identification tags , M-1940, 2; on soldier	WD Cir 142	Use original if possible; otherwise reproduce.
Identification tag tape , cotton, 40-inch; on identification tags	WD Cir 142	Use original if possible; otherwise reproduce.

Note: Items that are placed in lockers and rolled inside the full equipment can be excluded (see Unit SOP).

Noncommissioned Officer's Room

This room will be furnished as the quarters for the Battery First Sergeant. Rank does have its privileges, as the senior NCO of the company he would have had his own room. Thus this room can be furnished with personal items that would have been unauthorized in the rest of the barracks. This room will be viewed from the hallway; a glass barrier will protect the original objects in the room.

OBJECT(S) AND LOCATION	DOCUMENTATION	RECOMMENDATION
Bedstead , single, M-1938; against interior wall	Table of Allowances, September 1, 1934, hereafter referred to as T/A	Locate original.
Bedstead card holder , metal, with card; at foot of bunk	T/A	Use original.
Trunk locker ; at foot of bunk	T/A	Use original.
Wall locker ; against wall	T/A	Use original.
Mattress , cotton, felted; on bunk	T/A	Use original.
Pillow , feather; at head of bunk	T/A	Use original.
Mattress cover ; on bunk	T/A	Reproduce.
Pillowcase , cotton; on pillow	T/A	Reproduce.
Sheets , cotton, 2; on bunk	T/A	Reproduce.
Blankets , wool, OD, M-1934, 2; on bunk	T/BA-21	Use GOGA 20285 (10 of 10).
Comforter , cotton-filled, OD; rolled at foot of bunk per SOP	WD Cir 93	Reproduce.
Barrack bag , blue-denim; tied at head of bunk per SOP	T/BA-21	Reproduce.
Shirts , flannel, OD, 2; hanging in wall locker	Figure 106	Use GOGA 20558 and 20573.
Service shoes , Russet-90, 2 pair; under foot of bunk per SOP	T/BA-21	Use originals.
Shower shoes , commercial pattern, 1 pair; under foot of bunk per SOP	Unit SOP	Use originals.
Haversack , duck, OD, M-1928/M1910; strap on foot of bunk per SOP	T/BA-4	Use original.
Meat can , aluminum, M-1932/M-1918; in haversack meat-can pouch	T/BA-21	Use original.
Fork , M-1926/M-1910; in haversack meat-can pouch	T/BA-21	Use original.
Knife , M-1926/M-1910; in haversack meat-can pouch	T/BA-21	Use original.
Spoon , M-1926/M-1910; in haversack meat-can pouch	T/BA-21	Use original.
Steel helmet , M-1917A1; strap haversack per SOP	T/BA-21	Use GOGA 27082.
Service gas mask , with carrier; strap to head of bunk per SOP	T/BA-4	Use original
File cabinet , wood, painted black; in northwest corner	Required for storage of reports	Use GOGA 29045.
Chair , barrack, under table	T/A	Use GOGA 27255.

OBJECT(S) AND LOCATION	DOCUMENTATION	RECOMMENDATION
Table , small, wood, painted black, under window	T/A	Use uncataloged table from latrine.
Typewriter , <i>Remington</i> brand; on table	Required for completion of reports	Use GOGA 20343.
Lamp , electric gooseneck, on table	T/A	Locate original.
Receptacle , waste paper, next to table	T/A	Locate original.

These personal items were not supplied by U.S. Army:

Radio , on table	Common usage	Acquire.
120 Ashtray , on table	Common usage	Acquire.
Cigarettes , in carton, in trunk locker	Common usage	Use originals.
Books , military manuals, 3-4, and paperbacks, 3-4	Common usage	Use originals.
Shoe shine kit , in trunk locker	Common usage	Use original or reproduce.
Blotter , on table	Common usage	Reproduce.
Picture , in frame (wife or girlfriend?), on table	Common usage	Use original.
Light fixture , green reflector shade with white interior; hanging from ceiling	Physical evidence	Use uncataloged original.

Exhibit Room

The Exhibit Room across the hallway will contain wall-mounted exhibits that deal with the following interpretive material:

- Evidence used to refurbish Barracks
- The original unit stationed here (56th Coast Artillery)
- The big guns this unit served and their mission
- Personal pictures and stories of the soldiers

Latrine and Shower Room

OBJECT(S) AND LOCATION	EVIDENCE	RECOMMENDATION
Sinks , white porcelain, six, all faucets in place, with stoppers on chains (west wall)	Physical evidence	Use sinks in place.
Rectangular mirrors , six, no frames (on west wall, over sinks)	Physical evidence	Use mirrors in place.
Utility sink (west wall)	Physical evidence	Use sink in place.
Shelf , built-in (west wall)	Physical evidence	Use shelf in place.
Bench , wood, painted black (against north wall, west of entrance)	Common usage	Use bench in place.

OBJECT(S) AND LOCATION	EVIDENCE	RECOMMENDATION
Hook board with brass hooks (on south wall between toilet room and shower room)	Physical evidence	Use board in place.
Shower fixtures (in shower room)	Physical evidence	Use fixtures in place.
Soap dishes (on west wall, shower room)	Physical evidence	Use two original soap dishes in place. Reproduce and replace other soap dishes.
Light fixture , glass-covered light bulb (on shower room ceiling)	Physical evidence	Use fixture in place.
Toilets , five, white porcelain with wooden seats (four on south wall, one on east wall)	Physical evidence	Use fixtures in place.
Toilet paper holders , five (on south and east walls)	Physical evidence	Use original toilet paper holder and reproduce four additional.
Supply cabinet (on north wall, under stairway to second floor)	Physical evidence	Use cabinet in place.
Urinal (on east wall)	Physical evidence	Use fixture in place.
Light fixtures , two, ceramic base bulb-holders (on ceiling)	Physical evidence	Use fixtures in place.
Bucket with wringer , and mop (near entrance)	Common usage	Acquire.

121

Building 1049 – Mess Hall

Dining Room

This room was used to feed 170 men at a time. This plan recommends that the original mess table be set aside for the display of a table setting. The entire tabletop should be covered by a Plexiglas case. The rest of this area will be used by school groups and others to eat lunches. All the other furnishings and objects in the room should be reproductions.

OBJECT(S) AND LOCATION	DOCUMENTATION	RECOMMENDATION
Mess tables , wood (or “built-in”), 18, arranged in dining area per SOP	Figure 108; T/A	Use 12 uncataloged reproductions already in place. Reproduce five more. Use original mess table in northwest corner, no catalog number, GOGA field collection.
Mess stools , wood (or “built-in”), 180; arranged in dining area per SOP	T/A	Acquire.
Sauce boats , china, 2; on first table per SOP	T/A	Acquire.

	OBJECT(S) AND LOCATION	DOCUMENTATION	RECOMMENDATION
	Bowls , general-use, china, 10; on first table per SOP	T/A	GOGA 02936
	Sugar bowls , china, with covers, 2; on first table per SOP	T/A	Acquire.
	Cups , coffee, unhandled, 10; on first table per SOP	T/A	Acquire.
	Pickle dish , china; on first table per SOP	T/A	Acquire.
	Vegetable dishes , china, 5; on first table per SOP	T/A	Acquire.
	Plates , dinner, china, 10; on first table per SOP	T/A	GOGA 02936
	Plates , soup, china, 10; on first table per SOP	T/A	GOGA 02936
122	Mustard pots , china, with covers, 2; on first table per SOP	T/A	Acquire.
	Saucers , coffee, china, 10; on first table per SOP	T/A	Acquire.
	Bottle , vinegar, glass; on first table per SOP	T/A	GOGA 02936
	Pepper shakers , glass, 2, on first table per SOP	T/A	Acquire.
	Salt shakers , glass, 2; on first table per SOP	T/A	Acquire.
	Tumblers , glass, 10-ounce, 10; on first table per SOP	T/A	Acquire.
	Forks , table, nickel-alloy, 10; on first table per SOP	T/A	Acquire.
	Knives , table, nickel-alloy, 10; on first table per SOP	T/A	Acquire.
	Tablespoons , nickel-alloy, 10; on first table per SOP	T/A	Acquire.
	Teaspoons , nickel-alloy, 10; on first table per SOP	T/A	Acquire.
	Spoons , mustard, wood, 2; on first table per SOP	T/A	Acquire.
	Pitchers , syrup, aluminum, M-1940, 2; on first table per SOP	T/A	Acquire.
	Pitcher , water, CRS, M-1939; on first table per SOP	T/A	Acquire.
	Platter , meat, CRS; on first table per SOP	T/A	Acquire.
	Curtains , tie-back, muslin, 8 pair, 2 tie-backs per pair, at the windows at north and south side of building	Figure 109	Use seven pairs of uncataloged curtains in place. Reproduce one additional pair.
	Recognition cards , Cards of Ships and Aircraft, against walls between windows, near the ceiling	Interview with Edward Peeples, May 1989, at Golden Gate NRA	Use originals or reproduce.
	"E" plaque ; on east wall, over serving hatch	This plaque was awarded to the 56 th Coast Artillery	Use uncataloged reproduction in place.
	Gas heaters , 6, 3 on north side, 3 on south side	Originals still in place	Use GOGA 29022, GOGA 29021, and GOGA 29020 (two with this number). Two heaters have no catalog numbers.
	Lighting fixtures , 10; mounted on ceiling	Physical evidence	Use uncataloged originals in place.

Kitchen Area

This room was used to cook meals for 170 men, three times a day. Many kitchen items were transferred to the park from Fort Ord in the 1990s.

Note: Two *Blodgett* brand bake ovens (GOGA 29037; 2 of 2) in place are post-interpretive period. The most accurate portrayal of this room would require the removal of these ovens.

OBJECT(S) AND LOCATION	EVIDENCE	RECOMMENDATION
Toaster , <i>Savory</i> brand; north wall, left of door	Required to make toast, which was served regularly	Use GOGA 29026.
Table , wood, painted gray; under toaster	Floor plans for Mess Halls, Plan no. 700-1127.1	Use table in place. No catalog number
Coffee urn , 15-gallon; north wall	Required to make coffee, which was available 24 hours a day	Use GOGA 29042a.
Metal table for urn; under urn, north wall	Required to support coffee urn	Use GOGA 29042d.
Ranges , 3; north wall	Floor plans for Mess Halls, Plan no. 700-1127.1	Use GOGA 29038 and GOGA 29039. Acquire third range.
Fryer , deep fat; north wall	Floor plans for Mess Halls, Plan no. 700-1127.1	Use fryer in place. No catalog number
Hot water heater , <i>A.O. Smith</i> brand; north wall	Floor plans for Mess Halls, Plan no. 700-1127.1	Use hot water heater in place. No catalog number
Storage tank , 220-gallon; north wall	Floor plans for Mess Halls, Plan no. 700-1127.1	Use storage tank in place. No catalog number located. Remove PVC pipe.
Sinks , 2, galvanized metal; east wall	Physical evidence and floor plans for Mess Halls, Plan no. 700-1127.1	Use GOGA 29032 and GOGA 29033. Repair or replace faucets; two different styles faucets currently installed.
Work table , wood top, metal base, one drawer missing; parallel to east wall	Floor plans for Mess Halls, Plan no. 700-1127.1	Use GOGA 29039. Replace drawer.
Can opener , hand-crank; installed on work table	Required for opening cans	Use GOGA 29027.
Pots , 2, aluminum, two-handled; on work table	Figure 113	Use pots stored in kitchen pantry. No catalog numbers
Lid , aluminum; on work table	Figure 113	Use lid stored in kitchen pantry. No catalog number
Bake pan , aluminum; on work table	Figure 114	Use pan stored in kitchen pantry. No catalog number
Kettle , aluminum, dated 1952, one handle missing; on work table	Figure 114	Use GOGA 29018.
Kettle , aluminum, 10-gallon, dated 1941; on work table	Figure 114	Use GOGA 29019.
Strainers , aluminum, 2; on work table or range	Figure 114	Use strainers stored in kitchen pantry. No catalog numbers
Rack , wooden, to hold brooms/mops; on south wall	Physical evidence	No catalog number

OBJECT(S) AND LOCATION	DOCUMENTATION	RECOMMENDATION
Garbage cans , 2, with lids; south wall, near door	Required for containment of refuse	Use GOGA 29031a (can) and GOGA 29031b (lid). One can and lid not cataloged.
Rack , wood, for garbage cans; south wall, near door	Required for holding garbage cans	Use rack in place. No catalog number
Refrigerators , 2, white enamel; south wall	Physical evidence.	Use GOGA 29035 and GOGA 29034.
Cook's table ; oriented east to west	Floor plans for Mess Halls, Plan no. 700-1127.1	Use GOGA 29030.
Potato masher , wood; on cook's work table	T/A	Acquire.
Can opener , steel, hand operated; on cook's work table	T/A	Acquire.
Rolling pin , wood; on cook's work table	T/A	Acquire.
Scale , steel beam and scoop, 10-pound; on cook's work table	T/A	Acquire.
Dough scraper , steel, 6-inch; on cook's work table	T/A	Acquire.
Sieve , flour, tin; on cook's work table	T/A	Acquire.
Spatula , wood, 37-inch; on cook's work table	T/A	Acquire.
Meat chopper machine , steel, hand-operated; mounted on cook's work table	T/A	Acquire.
Butcher block ; at east end of cook's table	Floor plans for Mess Halls, Plan no. 700-1127.1	Acquire.
Knife , boning, steel; on butcher block	T/A	Acquire.
Knife , bread, steel; on butcher block	T/A	Acquire.
Knife , butcher's, steel; on butcher block	T/A	Acquire.
Knife , paring, steel; on butcher block	T/A	Acquire.
Pan rack ; hanging above cook's table	Physical evidence	Use pan rack still in place.
Cleaver , butcher's, steel, 8-inch; hooked on pan rack per SOP	T/A	Acquire.
Saw , butcher's, steel, 14-inch; hooked on pan rack per SOP	T/A	Acquire.
Butcher's steel , 10-inch; hooked on pan rack per SOP	T/A	Acquire.
Grater , vegetable, tin; hooked on pan rack per SOP	T/A	Acquire.
Measure , tin, with lip, 1-pint; hooked on pan rack per SOP	T/A	Acquire.
Measure , tin, with lip, 1-quart; hooked on pan rack per SOP	T/A	Acquire.
Dipper , tin, 1-quart; hooked on pan rack per SOP	T/A	Acquire.
Dipper , tin, 2-quart; hooked on pan rack per SOP	T/A	Acquire.
Flesh fork , cook, steel, 15-inch; hooked on pan rack per SOP	T/A	Acquire.

OBJECT(S) AND LOCATION	DOCUMENTATION	RECOMMENDATION
Ladle , soup, steel, 15-inch; hooked on pan rack per SOP	T/A	Acquire.
Skimmer , steel, 15-inch; hooked on pan rack per SOP	T/A	Acquire.
Spoon , basting, steel, 15-inch; hooked on pan rack per SOP	T/A	Acquire.
Egg whip , wire, steel, 10-inch; hooked on pan rack per SOP	T/A	Acquire.
Egg whip , wire, steel, 12-inch; hooked on pan rack per SOP	T/A	Acquire.
Egg whip , wire, steel, 16-inch; hooked on pan rack per SOP	T/A	Acquire.
Mixing bowl , large (on west shelf above serving hatch)	T/A	Use GOGA 29017.
Cake pan , round, tin, 9-inch; on wall shelf per SOP	T/A	Acquire.
Dish pan , steel, 21-quart; on wall shelf per SOP	T/A	Acquire.
Stock pot , ordinary, aluminum, 10-gallon; on wall shelf per SOP	T/A	Acquire.
Stock pot , ordinary, aluminum, 15-gallon; on wall shelf per SOP	T/A	Acquire.
Stock pot , with faucet, aluminum, 15-gallon; on wall shelf per SOP	T/A	Acquire.
Stock pot , with faucet, aluminum, 20-gallon; on wall shelf per SOP	T/A	Acquire.
Cover, stock pot , aluminum, 10-gallon; on wall shelf rack per SOP	T/A	Acquire.
Cover, stock pot , aluminum, 15-gallon; on wall shelf rack per SOP	T/A	Acquire.
Cover, stock pot , aluminum, 20-gallon; on wall shelf rack per SOP	T/A	Acquire.
Griddle , cast-iron; hooked on wall bracket per SOP	T/A	Acquire.
Pan, bake and roasting , steel, 12-ration; hooked on wall bracket per SOP	T/A	Acquire.
Pan, frying , steel, 12-inch; hooked on wall bracket per SOP	T/A	Acquire.
Light fixtures , 9, flat reflectors (ceiling)	Quart 116	Not cataloged. Seven in place; replace two. Determine whether to use frosted or clear bulbs.

Glossary

Glossary

This report uses the following U.S. Army abbreviations:

129

A	Blood type 'A' on identification tag	FED	Federal specification
AA	Antiaircraft artillery	FM	Field manual
AB	AB blood type on identification tag	G-4	General staff supply officer
ACoS	Assistant Army Chief of Staff	GCM	Gold-colored metal
Adm	Amendment to specification	GO	General order
AGF	Army Ground Forces	GPO	U.S. Government Printing Office
AG	Adjutant General's Department	H	Religious preference Hebrew on identification tag
AR	Army Regulations	HBT	Herringbone-twill fabric
ASF	Army Service Forces	HD	Harbor defense
ASN	Army serial number	HQ	Headquarters
B	Blood type 'B' on identification tag	HHB	Headquarters and headquarters battery
Bn	Battalion	IAW	In accordance with order of commander
BOS	Army branch of service	ILO	In lieu of
BPR	War Department Bureau of Public Relations	Ind	Indorsement to correspondence
BQD	Boston Quartermaster Depot	JCQD	Jersey City Quartermaster Depot
Bul	Bulletin	JQD	Jeffersonville Quartermaster Depot
C	Religious preference Catholic on identification tag	KP	Kitchen police
C1	Change 1 to publication	Ltr	Letter correspondence
CA	Corps Area or Coast Artillery District	MED	Medical Department supply catalog
CAC	Coast Artillery Corps	Memo	Memorandum correspondence
Cir	Circular publication	MIL	Military specification
CMH	U.S. Army Center of Military History	M	Model of equipment
Cmt	Comment on correspondence	MWO	Modification work order
CO	Commanding Officer	NCO	Noncommissioned Officer
CQD	Chicago Quartermaster Depot	O	Blood type 'O' on identification tag
CRS	Corrosion-resistant steel	OCM	Ordnance Technical Committee minutes
CSRTC	Central Signal Corps Replacement Training Center	OD	Olive drab
CWS	Chemical Warfare Service	OG	Olive green
DRO	Dining room orderly	OQMG	Office of the Quartermaster General
DUI	Distinctive unit insignia	ORD	Ordnance Department supply catalogue
EM	Enlisted men/enlisted man	ORTC	Ordnance Replacement Training Center
		OTCO	Office of the Chief of Ordnance

OTSG	Office of the Surgeon General	SSI	Shoulder sleeve insignia
P	Religious preference Protestant on identification tag	Subj	Subject of correspondence
POM	Preparation for overseas movement	T	Tetanus immunization on identification tag
PQD	Philadelphia Quartermaster Depot	T/A	Table of Allowances
PX	Post Exchange	T/BA	Table of Basic Allowances
QM	Quartermaster	TD	Tractor drawn
QMC	Quartermaster Corps	T/E	Table of Equipment
QMCTC	Quartermaster Corps Technical Committee	T/O	Table of Organization
QMMI	Quartermaster Maintenance Instructions publication	T/O&E	Table of Organizational Equipment
130 R&D	Research and Development	TAG	The Adjutant General
Rev	Revised document	TB	Technical Bulletin
ROTC	Reserve Officers Training Corps	TM	Technical Manual
Rpt	Report correspondence	USA	United States Army specification
RTC	Replacement Training Center	WD	War Department
S&A	Soda and acid fire extinguisher	WDGS	War Department General Staff
S-4	Battalion staff supply officer	WPB	War Production Board
SNL	Standard Nomenclature List of Ordnance Department	XO	Executive officer
SOP	Standing operating procedure		
SOS	Services of Supply		

 FM 21-30, *Signs, Military Symbols and Abbreviations*, 26 Nov 41.
 TM 20-205, *Dictionary of Army Terms*, 18 Jan 44.
 WD PAM 21-13, *Army Life*, 10 Aug 44.

List of Illustrations

List of Illustrations

- Cover. Soldiers at headquarters of Battery E, Fort Cronkhite, CA, ca. 1941-45. Courtesy Golden Gate National Recreation Area, P88-071.02n.
1. Fact Sheet: Enlisted 63-Man Barracks, Building 1059. Information sheet developed by John Martini, Golden Gate NRA.
 2. Elevations of 45 & 63 Men Barracks -- 700 Series. From *World War II and the U.S. Army Mobilization Program: A History of 700- and 800-Series Cantonment Construction.*, p. 34
 3. Floor plans of 45 & 63 Men Barracks – 700 Series. *World War II and the U.S. Army Mobilization Program: A History of 700- and 800-Series Cantonment Construction.* p. 33
 4. Floor plan for 700-Series Mess Hall, from the original contract specifications. From *World War II and the U.S. Army Mobilization Program: A History of 700- and 800-Series Cantonment Construction*, p. 417
 5. Ninth Coast Artillery District shoulder sleeve insignia. Courtesy U.S. Army Institute of Heraldry.
 6. 6th Coast Artillery distinctive unit insignia. Courtesy U.S. Army Institute of Heraldry.
 7. 56th Coast Artillery distinctive unit insignia. Courtesy U.S. Army Institute of Heraldry.
 8. *WEB WAIST BELT*
 9. *GARRISON CAP*
 10. *SERVICE COAT*
 11. *BELT, Leather, EM*
 12. *HELMET, Steel, M-1917A1*
 13. *INSIGNIA, Collar, U.S., M-1937 and INSIGNIA, Collar, EM (BOS), M-1937*
 14. *INSIGNIA, sleeve, chevron*
 15. *WEAR OF INSIGNIA*
 16. *JACKET, Field, OD*
 17. *LEGGINGS, Canvas, Dismounted, M-1938*
 18. *NECKTIE, Black, Wool, M-1940*
 19. *NECKTIE, Cotton, Khaki (Washable)*
 20. *OVERCOAT, Wool, Roll Collar*
 21. *RAINCOAT, Rubberized, Dismounted, M-1938*
 22. *SHIRT, Wool, OD, SHIRT, Cotton, Khaki*
 23. *SHOES, Service*
 24. *TROUSERS, Cotton, Khaki*
 25. *TROUSERS, Wool, OD*
 26. *DRAWERS, Cotton, Shorts*
 27. *DRAWERS, Wool (25% & 50%)*
 28. *SOCKS, Cotton, Tan; SOCKS, Wool, Light*
 29. *UNDERSHIRT, Summer, Sleeveless*
 30. *UNDERSHIRT, Wool (25% & 50%)*

31. COAT, *Working, Denim*
32. HAT, *Working, Denim*
33. TROUSERS, *Working, Denim*
34. UNIFORM OF THE DAY
35. BARRACK BAG
36. BELT, *Cartridge, Caliber .30, Dismounted, M-1923*
37. CANTEEN, *M-1910*
38. CUP, *Canteen, M-1910*
39. CANTEEN COVER, *M-1910, Dismounted*
40. HAVERSACK AND PACK CARRIER
41. CAN, *Meat, M-1932*
42. FORK, *M-1926, KNIFE, M-1926, SPOON, M-1926*
43. FIRST AID PACKET POUCH
44. TAG, *Identification, M-1940*
45. TENT, *Shelter Half, POLE, Shelter Tent, Folding, PIN, Shelter Tent*
46. TOILET SET, *consisting of BRUSH, Shaving, BRUSH, Tooth, COMB, Rubber (Hard), RAZOR, Safety w/5 blades*
47. MASK, *Service, Gas, MIA2-MIXA1-MIVA1*
48. SLINGING THE GAS MASK
49. PACKET, *First Aid, Carlisle Model*
50. U.S. RIFLE, *Caliber .30, M-1903*
51. SLING, *gun, M-1907*
52. BAYONET, *M-1905 and SCABBARD, Bayonet, M-1910*
53. ASSEMBLY OF FIELD EQUIPMENT
54. RACK, *Arm, Rifle, M-1920*
55. BEDSTEAD, *Single, M-1938*
56. COT, *Folding, Steel*
57. COT, *Folding, Canvas*
58. HOLDER, *Card, Bedstead*
59. LOCKER, *Trunk*
60. LOCKER, *Box*
61. LOCKER, *Wall, Steel*
62. COVER, *Mattress*
63. CHAIR, *Barrack*
64. EXTINGUISHER, *Fire, 2-1/2-gallon. S&A*
65. MAKING THE ARMY BUNK
66. ARRANGEMENT OF BARRACKS INTERIOR. *From Don Mayes, Ft. Leonard Wood, Missouri. Springfield, MO: Holland Litho. Courtesy of US Army Engineer Museum, Fort Leonard Wood, MO.*
67. Arrangement of foot locker
68. Arrangement of wall locker
69. A FULL-FIELD INSPECTION
70. STOOL, *Mess*
71. TABLE, *Mess*
72. CHINAWARE
73. GLASSWARE
74. TABLEWARE

75. *PITCHER, Syrup, M-1940*
76. *PITCHER, Water, 5-1/2-quart, M-1939*
77. *PLATTER, Meat, Metal*
78. *CUTLERY*
79. *SAW, Butcher's*
80. *GRATER, Vegetable*
81. *MACHINE, Meat & Food Chopping, Hand Operated*
82. *MEASURE, Lipped, Ungraduated*
83. *SCALE, Weighing, Counter Scoop, 10-lbs*
84. *SCRAPER, Dough, 6-inch*
85. *GRIDDLE, Cast-Iron*
86. *PAN, Baking and Roasting*
87. *PAN, Dish, 21-quart*
88. *POT, Stock, Aluminum, Ordinary, with Cover*
89. *DIPPER, Tin*
90. *MASHER, Potato*
91. *SPATULA, Wood*
92. *FORK, Cook, Flesh, LADLE, Soup, SKIMMER, SPOON, Basting*
93. *"BUILT-IN" MESS TABLE*
94. *ARRANGEMENT OF MESS HALL KITCHEN AREA*
95. Interior of a barracks building at Fort Cronkhite taken by Private Anton T. Sterba, Battery A, 56th Coast Artillery Regiment, on June 26, 1941. Courtesy Anton T. Sterba.
96. Interior of a barracks occupied by F Battery, 56th Coast Artillery, West Portal area, Fort Barry, California, 1941. Courtesy Presidio Army Museum, Negative box 6, Photograph box 11.
97. Interior of a barracks at Fort Rosecrans, San Diego, California, 1941-43. Courtesy Cabrillo National Monument, Accession No. 288, Catalog No. 1224.
98. Interior of a barracks at Fort Rosecrans, San Diego, California, 1941-43. Courtesy Cabrillo National Monument, Accession No. 288, Catalog No. 1227.
99. Barracks Inspection, 161st Signal Company, Fort Benning, GA, 15 July 1941. Courtesy National Archives, RG111-SC-124064.
100. Interior of barracks, second floor, 161st Signal Company, Fort Benning, Georgia. Courtesy National Archives, RG111-SC-124044.
101. Interior of barracks, second floor, Fort Rosecrans, California, 1940-42. Courtesy Cabrillo National Monument, uncataloged scrapbook.
102. Probably the interior of the Marine barracks at the Navy yard in San Diego, California, 1940-42. The photograph is labeled "Chaddock Marine Barracks." Courtesy Cabrillo National Monument, uncataloged scrapbook
103. Open trunk locker in barracks, Fort Lewis, Washington, ca. 1941. Courtesy Ft. Lewis Military Museum, Ft. Lewis, WA.
104. Closed trunk locker in barracks, Fort Lewis, Washington, ca. 1941. Courtesy Ft. Lewis Military Museum, Ft. Lewis, WA.
105. Bed and locker prepared for everyday use in barracks, Ft. Lewis, Washington, ca. 1941. Courtesy Ft. Lewis Military Museum, Ft. Lewis, WA
106. Open metal wall locker in barracks, Ft. Lewis, Washington, ca. 1941. Courtesy Ft. Lewis Military Museum, Ft. Lewis, WA.
107. Another barracks at Fort Lewis before the installation of metal wall lockers, ca. 1941. Courtesy Ft. Lewis Military Museum, Ft. Lewis, WA.

108. Mess Hall dining room, Camp Edwards, MA, ca. 1940. Courtesy Historical Division, Ft. Belvoir, VA.
109. Mess Hall dining room, Camp Callan, 1941-42. Courtesy Cabrillo National Monument, Accession No. 1296, Catalog No. 1358.
110. Mess Hall dining room, Fort Miley, 1941. Courtesy Golden Gate National Recreation Area.
111. Mess Hall dining room, Camp Roberts, California, probably 1940-41. Postcard, uncataloged, Golden Gate National Recreation Area.
112. Mess Hall dining room, Fort Lewis, Washington, ca. 1941. Courtesy Fort Lewis Military Museum, Fort Lewis, Washington.
113. Kitchen in Mess Hall, 161st Signal Company, Fort Sam Houston, September 8, 1942. Courtesy NARA, RG111-SC-145790.
114. Kitchen in Mess Hall, Cooks and Bakers School, Camp Forrest, Tennessee, January 20, 1942. Courtesy NARA, RG111-SC-133703.
115. "Takin' Off On Pass Eh Soldier?," poster, 1941-42. Courtesy Golden Gate National Recreation Area.

Appendix

Appendix

“Specifications for iron bedsteads, single.”

139

Quartermaster Manual, June 22, 1910.

WAR DEPARTMENT.
OFFICE OF THE CHIEF OF THE QUARTERMASTER CORPS.

Specifications for iron bedsteads, single.

Headpiece.—To consist of head part made of wrought iron butt-weld pipe, outside diameter 1.05; to be .0775 thick, weighing .84 pounds to the foot, bent to form of standard sample, measuring thirty (30) inches wide on inside; to stand three (3) feet high from the floor without casters; one-half ($\frac{1}{2}$) inch cross rod, connected to posts with malleable-iron fittings two and one-half ($2\frac{1}{2}$) by one and three-quarters ($1\frac{3}{4}$) inches of corrugated design, having seven ribs, the center of fittings to be eighteen and one-half ($18\frac{1}{2}$) inches from bottom of posts; three upright rods, spaced equidistant between posts, connected to the cross rod with three malleable-iron fittings one and one-half ($1\frac{1}{2}$) by one and one-half ($1\frac{1}{2}$) inches; the two outside upright rods three-eighths ($\frac{3}{8}$) inch diameter, connected to the top rail with corrugated malleable fittings with seven ribs two and one-half ($2\frac{1}{2}$) by one and three-quarters ($1\frac{3}{4}$) inches, the center upright rod to be three-eighths ($\frac{3}{8}$) inch diameter, connected at the top with a special fitting, the design consisting of malleable casting of the quartermaster's device (designed to show on both sides), of size shown in the standard sample, in combination with a seven-corrugated fitting with a bracket extending one and one-eighth ($1\frac{1}{8}$) inches beyond corrugated fitting, with a nine-sixteenths ($\frac{9}{16}$) inch hole to receive the mosquito-bar rod, and a second bracket attached to center upright rod twenty-three (23) inches from floor, with a square three-eighths ($\frac{3}{8}$) inch hole to center with nine-sixteenths ($\frac{9}{16}$) inch hole in upper bracket; the brackets to hold the mosquito-bar rods to be on the outside; to have a base casting on the foot of each pipe, of malleable iron, two (2) inches long and two (2) inches in diameter, made flush with the bottom of the tubing to receive the caster, except where the "Legmount" caster is used, when the casting should be raised one-quarter ($\frac{1}{4}$) inch; a beveled square-head rivet extending from each post and riveted through, placed twelve (12) inches from the base on each post to receive the corner attachment, conforming in size and design to that shown on the standard; to measure thirty-one and one-sixteenth ($31\frac{1}{16}$) inches center to center when in place.

All upright and cross rods to be round and of solid iron or steel.

Foot piece.—Foot piece to stand thirty-one and one-half ($31\frac{1}{2}$) inches high from floor, without casters; cross rod to be placed six (6) inches from floor; foot piece otherwise conforming in general form, material, and design to headpiece.

All upright and cross rods to be round and of solid iron or steel.

Side rails.—Angles to be made of stiff Bessemer steel, six (6) feet four (4) inches long, one and three-quarters ($1\frac{3}{4}$) by one and three-quarters ($1\frac{3}{4}$) inches by one-quarter ($\frac{1}{4}$) inch, all angle steel to run thirty points carbon. Two holes to be in top leg of each side rail at each end, the first two and one-quarter ($2\frac{1}{4}$) inches from end, the second three and three-quarters ($3\frac{3}{4}$) inches, to receive bolts connecting corner fastening to side rail; three-eighths ($\frac{3}{8}$) by one (1) inch machine bolts to be used in making connections.

End rails.—Angles to be made of stiff Bessemer steel, one and three-quarters ($1\frac{3}{4}$) inches by one and three-quarters ($1\frac{3}{4}$) inches by three-sixteenths ($\frac{3}{16}$) inch, two (2) feet eight and three-quarters ($8\frac{3}{4}$) inches long, each end rail to have nineteen one-quarter ($\frac{1}{4}$) inch holes placed equidistant apart, commencing one-half ($\frac{1}{2}$) inch from the end to center of first hole. On the other flange of angle, one one-half ($\frac{1}{2}$) inch hole in each end of end rail, seven-eighths ($\frac{7}{8}$) inch from end to center of hole, the end rails to be connected to corner irons with a three-eighths ($\frac{3}{8}$) inch by one (1) inch machine bolt. All angle steel to run thirty points carbon. End angles to be curved outward three-eighths ($\frac{3}{8}$) inch, and ends ground smooth, with corners slightly rounded.

Corner irons.—Corner fastenings to be of malleable iron, conforming absolutely in design to that shown in the standard sample.

Fabric.—To have one "National" fabric, nine squares wide by sixteen squares long, constructed with basic steel parts. Links, end-links, and V's, made of No. 11 wire, .1205 inch in diameter. Four and three hold plates, made of .065 gauge stock. To measure when made up thirty-one and three-eighths ($31\frac{3}{8}$) inches wide by sixty-five (65) inches long, and to be thoroughly coated with pure tin, applied by the molten bath process after assembling. To be attached to bedstead end rails at each end with nineteen helical springs, japanned. The four corner springs to be made of No. 10 (.135 inch) steel wire, of three-quarters ($\frac{3}{4}$) inch outside diameter, and three and three-eighths ($3\frac{3}{8}$) inches in length over hooks with seventeen convolutions. All other helical springs to be made of No. 12 (.1055 inch) steel wire of three-quarters ($\frac{3}{4}$) inch outside diameter, and three and one-quarter ($3\frac{1}{4}$) inches in length over hooks, with twenty-one convolutions.

Mosquito-bar rods.—T mosquito-bar rods of one-half ($\frac{1}{2}$) inch round iron, three (3) feet three (3) inches high, with cross rod two (2) feet six (6) inches long, of five-sixteenths ($\frac{5}{16}$) inch round iron, ends turned double, one-half ($\frac{1}{2}$) inch to form smooth surface, connected by malleable-iron threaded tee, lower end of one-half ($\frac{1}{2}$) inch rod to

be pointed and squared to rest in three-eighths ($\frac{3}{8}$) inch square hole provided.

Casters.—To be of stamped or wrought steel throughout, except wheel which will be of lignum vitae, not less than three-fourths ($\frac{3}{4}$) inch thick and one and three-eighths ($1\frac{3}{8}$) inches in diameter. Yoke to be not less than .081 inch in thickness. Axle to be not less than .144 inch in diameter and shank to be not less than 2.25 inches long over all. Weight to be carried on hemispherical top of shank. Casters to be designed to be held by compression in tubular legs of standard iron bedsteads.

Workmanship and finish.—All fittings and other castings to be of malleable iron, clean and sharp in detail, and to be crimped on under heavy power pressure.

Head and foot pieces to stand upright and perfectly rigid when bed is assembled.

To be enameled as follows:

The first coat to consist of flexible compound, baked about 10 hours at 160° F.

Second and third coats to consist of one part flexible compound to five parts Pecora bedstead primer, baked five hours at 160° F.

Fourth coat to consist of one part flexible compound to 70 parts of Pecora bedstead white enamel, baked five hours at 160° F.

Bronzing.—The key, sword, and 13 stars of the quartermaster's device to be bronzed with bronze of first quality on inside of head design and both sides of foot design.

One wrench, made of the exact pattern as shown in standard sample, to be furnished with each bed.

In all points not covered by these specifications to be like and equal to the standard sample in all respects.

Adopted December 10, 1912, in lieu of specifications of June 22, 1910 (No. 1067), which are canceled.

J. B. ALLEN, SHIRE,

Chief, Quartermaster Corps, U. S. Army.

387205.

NOTE.—To insure in each case a perfect fitting of the bed bottoms with the head and foot pieces contractors are required to have each bed set up and perfectly adjusted at the factory prior to its delivery. A similar course will be followed in inspecting same at the depots.

Bibliography

Bibliography

U.S. Government Publications

Annual Report of the Chief of Ordnance.
Washington: GPO, FY 1872-1919.

Annual Report of the Quartermaster General.
Washington: GPO, FY 1872-1919.

Barnes, Elinor. *Uniforming the Army: A Study of Enlisted-Men's Items.* Philadelphia: PQD, May 45.

Basic Notes. Camp Crowder, MO: Central Signal Corps Replacement Training Center, Rev 1 Jun 43.

Brooks, Helen R. *Modern Service Shoes: the Development of Army Shoes at the Boston Quartermaster Depot During World War II.* Boston: BQD, 1 Oct 45.

Catalog of Standard Ordnance Items. OTCO, III. Washington: GPO, 1944.

Crowell, Benedict. *America's Munitions, 1917-1918.* Washington: GPO, 1919.

Depot Examiner's Handbook. Philadelphia: PQD, 15 Aug 42.

Directory of the Army of the United States and War Department Activities as of July 1, 1941.

Directory of the Army of the United States and War Department Activities as of May 15, 1942.

Engineer Training Note Book. Washington: Infantry Journal, 1944.

Golden Gate National Recreation Area/Point Reyes National Seashore General Management Plan and Environmental Analysis, September 1980.

Long Range Interpretive Plan, Golden Gate National Parks, team draft. Prepared by Interpretive Planning Division, Harpers Ferry Center, March 2001.

Miscellaneous War Department, and subordinate commands, General Orders, Bulletins, Circulars and basic correspondence.

Ordnance Soldier's Guide, The. Ordnance Replacement Training Center. Aberdeen Proving Ground, MD, n.d.

Record of Army Ordnance Research and Development. Volume I, Hand and Shoulder Weapons, Helmets and Body Army. Washington: OTCO, Jan 46.

Risch, Erna and Thomas Pitkin. *Clothing the Soldier of World War II.* QMC Historical Studies No. 16. OQMG Historical Section. Washington: GPO, Sep 46.

Roberts, Norman E. *Designed for Combat: The Army's Field Jackets.* Philadelphia: PQD, Jun 46.

- Soldier and His Housekeeping, The.* The Women's Interests Section, WD Bureau of Public Relations. Washington: GPO, 1942.
- Soldier and His Uniform, The.* The Women's Interests Section, WD Bureau of Public Relations. Washington: GPO, 1942.
- Thompson, Erwin N. *Historic Resource Study: Forts Baker, Barry, Cronkhite of Golden Gate National Recreation Area, California.* Denver, Co.: Denver Service Center, November 1979.
- Wolfe, Edwin P., COL MC. *The Medical Department of the United States Army in the World War.* III. Washington: GPO, 1928.
- AR 30-3000 *Price List of Clothing and Equipment,* 4 Aug 41.
- AR 30-3010 *Items and Price List of Regular Supplies Controlled by Budget Credits and Price List of Other Miscellaneous Supplies,* 12 Sep 41.
- AR 30-3014 *Price List of Kitchen and Mess Equipment,* 1 May 45.
- AR 90-30 *Coast Artillery Districts,* 18 Sep 25.
- AR 310-60 *Military Publications,* 1 May 42.
- AR 600-35 *Prescribed Service Uniform,* 10 Nov 41.
- AR 600-40 *Wearing of the Service Uniform,* 28 Aug 41.
- AR 615-30 *Army Serial Numbers,* 19 Jul 21.
- AR 615-30 *Army Serial Numbers,* 12 Feb 42.
- AR 850-25 *Development, Classification of and Specification for Types of Equipment,* 23 Jul 36.
- AGF GO 49 *Administrative Regulations,* Replacement Depot No. 1, Fort George G. Meade, MD, 30 Oct 44.
- AGO Form 616 *Historical Data Card,* 6th Air Defense Artillery.
- AGO Form 616 *Historical Data Card,* 56th Air Defense Artillery.
- WD PAM 21-13 *Army Life,* 10 Aug 44
- T/O 4-31 *Coast Artillery Regiment, 155-mm Gun,* 1 Nov 40.
- T/O 4-32 *Coast Artillery Headquarters and Headquarters Battery, Regiment, 155-mm Gun,* 1 Nov 40.
- T/O 4-35 *Coast Artillery Battalion, 155-mm Gun,* 1 Nov 40.
- T/O 4-36 *Coast Artillery Headquarters and Headquarters Battery and Ammunition Train, Battalion, 155-mm Gun,* 1 Nov 40.
- T/O 4-37 *Coast Artillery Battery, 155-mm Gun, Tractor-Drawn,* 1 Nov 40.
- T/O 4-38 *Coast Artillery Battery, Searchlight, Regiment, 155-mm Gun,* 1 Nov 40.
- T/O 4-65 *Coast Artillery Battalion, Harbor Defense, Types "A," "B" and "C,"* 1 Nov 40.
- T/O 4-66 *Coast Artillery Headquarters and Headquarters Battery, Battalion, Harbor Defense,* 1 Nov 40.
- T/O 4-67 *Coast Artillery Battery, Harbor Defense,* 1 Nov 40.
- T/O 4-68 *Coast Artillery Battery, Searchlight, Harbor Defense,* 1 Nov 40.
- T/O 4-81 *Coast Artillery Regiment, Harbor Defense, Type "C,"* 1 Nov 40.
- T/O 4-82 *Coast Artillery Headquarters and Headquarters Battery, Regiment, Harbor Defense, Type "C,"* 1 Nov 40.

- T/A *Equipment for Posts, Camps and Stations*, 1 Sep 34.
- T/BA-4 *Coast Artillery Corps*, 1 Jan 39.
- T/BA-21 *Quartermaster Clothing and Individual Equipment*, 1 Oct 41.
- WD 1717 *Instructions for Assembling the Infantry Equipment, Model of 1910*, 11 Mar 12.
- WD 1718 *Description of the Infantry Equipment, Model of 1910, Rev 2 Jul 14*.
- WD 1879 *Price List of Ordnance and Ordnance Stores*, Rev 29 Jan 17.
- WD 1923 *Description and Rules for the Management of the U.S. Rifle, Caliber .30, M-1903*, Rev 22 Jan 17.
- FM 21-10 *Military Sanitation and First Aid*, 31 Jul 40.
- FM 21-11 *First Aid for Soldiers*, 7 Apr 43.
- FM 21-15 *Equipment, Clothing and Tent Pitching*, 1 Oct 40.
- FM 21-15 *Individual Clothing and Equipment*, 30 Apr 45.
- FM 21-15(C2) *Individual Clothing and Equipment*, 22 Dec 47.
- FM 21-30 *Conventional Signs, Military Symbols and Abbreviations*, 26 Nov 41.
- FM 21-40 *Defense Against Chemical Attack*, 1 May 40.
- FM 21-100 *Soldiers' Handbook*, 23 Jul 41.
- FM 23-10 *U.S. Rifle Caliber .30, M-1903*, 2 Jan 40.
- FM 23-10 *U.S. Rifle Caliber .30, M-1903*, 30 Sep 43.
- QMMI 60 *Tableware*, Apr 53.
- QMMI 82 *Locker, Trunk*, Dec 51.
- QMMI 133 *Cot, Folding, Steel*, May 53.
- QMMI 139 *Bedstead, Single, M-1938 and Components*, Jun 53.
- TB 75 QM *Quartermaster Maintenance Instructions: Bedding*, 6 Jul 57.
- TB 76 QM *Quartermaster Maintenance Instructions Lockers, Clothing, Metal*, 28 Oct 57.
- TM 3-205 *The Gas Mask*, 9 Oct 41.
- TM 3-205 *The Gas Mask*, 2 Mar 51.
- TM 9-1270 *Ordnance Maintenance: U.S. Rifles, Cal. .30, M-1903, M-1903A1, M-1903A3 and M-1903A4*, 20 Jan 44.
- TM 10-205 *Mess Management and Training*, 6 Jul 42.
- TM 10-205 *Mess Management and Training*, 3 Oct 44.
- TM 20-205 *Dictionary of Army Terms*, 18 Jan 44.
- MED-3 *Army Service Forces Supply Catalog: Medical Supply Catalog, List of Items for Troops, Posts, Camps and Stations*, 1 Mar 44.
- MED-4 *Army Service Forces Catalog: Medical Supply Catalog, Allowance of Expendable Supplies*, 19 Sep 44.
- ORD 7 SNL B-3 *Army Service Forces Catalog: Ordnance Supply Catalog, Organizational Spare Parts and Equipment for U.S. Rifle, Caliber .30, M-1903, M-1903A1, and 1903A3*, 15 Nov 44.

ORD 9 SNL B-16 *Army Service Forces Catalog: Ordnance Supply Catalog List of All Parts, Arm Locker, Arm Rack, Arm Repair Chest and Pistol Cleaning Kit*, 6 Sep 43.

OQMG Cir 4 *Component Parts, Spare Parts, Accessories and Contents of Chests, Kits, Sets, Outfits and Items of Quartermaster Corps Property*, 1 Nov 38.

OQMG Cir 4 *Component Parts, Spare Parts, Accessories and Contents of Chests, Kits, Sets, Outfits and Items of Quartermaster Corps Property*, 1 Nov 39.

OQMG Cir 4 *Army Service Forces Catalog: Quartermaster Supply Catalog, Section 1: Enlisted Men's Clothing and Equipment*, Rev Aug 43.

QM 3-3 *Army Service Forces Catalog: Quartermaster Supply Catalog, List of Items for Issue to Posts, Camps and Stations*, 15 Jun 44.

QM 5-63 *Army Service Forces Catalog: Quartermaster Supply Catalog, Stock List of All Items, Class 63: Tableware*, 11 Dec 44.

QM 5-64 *Army Service Forces Catalog: Quartermaster Supply Catalog, Stock List of All Items, Class 64: Bake-Shop and Kitchen Apparatus and Utensils*, 31 Mar 44.

U.S. Government Specifications

FED AA-C-571a *Cots; Folding, Canvas*, 25 Sep 37

FED AA-L-486b *Lockers, Clothing, Steel*, 13 Apr 53.

FED AAA-S-115 *Scales, Weighing: Beam, Bench- or Counter-Types*, 16 Apr 46.

FED DD-T-101a *Tableware: Glass*, 12 Jan 38.

FED DD-T-101b *Tableware: Glass*, 10 Nov 47.

FED DDD-H-71 *Handkerchiefs: Cotton*, 10 Nov 31.

FED DDD-P-351a(3) *Pillowcases (Cotton, Bleached)*, 5 Aug 54.

FED DDD-S-281c *Sheet, Bed; Cotton (Bleached)*, 13 Jan 53.

FED DDD-T-531a *Towels, Huck*, 25 May 50.

FED DDD-T-551b *Towels, Terry Cloth*, 15 Feb 50.

FED FF-O-601a *Openers, Can*, 29 Jul 57.

FED GGG-C-746 *Cutlery: Gallery and Kitchen*, 7 Mar 33.

FED GGG-C-746a *Cutlery: Gallery and Kitchen*, 17 Feb 44.

FED GGG-S-61a *Saws*, 3 Nov 42.

FED H-B-571a *Brushes; Shaving*, 30 Jun 41.

FED H-B-671 *Brushes; Tooth*, 7 Mar 33.

FED H-B-671a *Brushes; Tooth*, 4 Aug 42.

FED JJ-S-566a *Socks; Cotton*, 22 Aug 38.

FED JJ-S-581a *Socks: Wool and Wool-Cotton Mixture*, 22 Aug 38.

FED K-T-211 *Tents, Duck (Khaki and Olive Drab); and Tent- Appliances*, 3 May 32.

FED LLL-M-116 *Mashers, Potato; Wood*, 3 May 41.

FED LLL-P-381 *Pins, Rolling; Wood*, 3 May 41.

FED LLL-S-617 *Spoons, Mustard; Wood*, 3 May 41.

FED M-C-301 *Chinaware; Vitrified*, 1 May 34.

- FED O-F-355a *Fire-Extinguishers; Chemical, Hand (Soda-and-Acid Type)*, 5 Jun 34.
- FED OO-M-18 *Machines; Chopping (Grinding) Meat*, 29 Aug 39.
- FED RR-G-681 *Griddles; Cast-Iron*, 17 May 40.
- FED RR-P-55 *Pans, Bake and Roasting; Steel*, 3 May 41.
- FED RR-P-62 *Pans, Cake; Tinned, Round*, 17 May 40.
- FED RR-P-70 *Pans, Dish; Steel*, 30 Sep 42.
- FED RR-P-89 *Pans, Fry; Steel*, 17 May 40.
- FED RR-P-386 *Pitchers, Water: Corrosion-Resisting-Steel*, 3 Mar 39.
- FED RR-P-416 *Platters, Meat; Corrosion-Resisting-Steel*, 4 Apr 39.
- FED RR-T-46 *Tableware; Nickel-Alloy*, 23 May 41.
- FED RR-W-456 *Wireware; Bake-Shop and Kitchen*, 7 May 35.
- FED V-M-81a *Mattresses; Cotton (Felted)*, 29 Aug 39.
- FED V-P-356 *Pillows; Feather*, 13 Jan 36.
- FED V-P-356a(1) *Pillows; Bed, Feather*, 13 Jul 53.
- FED ZZ-C-551 *Combs: Rubber (Hard)*, 8 Jan 35.
- QM 361 *Barrack Chairs*, 24 Jan 95.
- QMC *Specifications for Tableware and Kitchen Utensils as now issued for the U.S.Army*, 15 Feb 11.
- J-90 *Mess Tables*, 18 Mar 15.
- WD 441-1-210 *Liberty Steel Cot*, 1 May 19.
- A 6-3A *Hat, Working*, 11 Mar 37.
- USA 6-105 *Belt, Web, Waist*, 25 Mar 38.
- USA 6-116 *Sheet, Cotton, Bleached*, 18 Jul 25.
- USA 6-117 *Pillowcases, Cotton, Bleached*, 17 Jul 25.
- USA 6-118D *Cover, Mattress, Cotton*, 24 Oct 40.
- USA 6-124C *Trousers, Working, Denim*, 8 Aug 40.
- USA 6-125B *Coat, Working, Denim*, 7 Aug 40.
- USA 6-163A *Carrier, Pack, M-1928*, 19 Apr 37.
- USA 6-163B *Carrier, Pack, M-1928*, 8 Oct 41.
- USA 6-176A *Haversack, M-1928*, 26 Apr 37.
- USA 6-176B *Haversack, M-1928*, 13 Dec 41.
- USA 6-176B(1) *Haversack, M-1928*, 24 Apr 42.
- USA 6-180B *Belt, Cartridge, Caliber .30, M-1923 (Mounted and Dismounted)*, 14 Oct 41.
- USA 6-188B *Drawers, Cotton, Shorts*, 6 Oct 36.
- USA 6-220A *Cover, Canteen, M-1917, Mounted and M-1910, Dismounted*, 21 Dec 37.
- USA 6-233A *Undershirts, Summer, Sleeveless*, 1 Sep 36.
- USA 6-241 *Shirt, Cotton, Khaki (Suiting Cloth, 8.2-ounce)*, 29 Nov 38.
- USA 6-245 *Bag, Barrack*, 4 Jan 37.

- USA 6-254 *Trousers, Cotton, Khaki*, 8 Nov 37.
- USA 6-254(2) *Trousers, Cotton, Khaki*, 3 Mar 42.
- USA 6-258A *Tape, Cotton, Identification Tag*, 23 Jul 40.
- USA 6-282 *Neckties, Cotton, Khaki (Washable)*, 22 Aug 39.
- USA 6-288 *Leggings, Canvas, Dismounted, M-1938*, 8 Aug 40.
- USA 8-31D *Coats, Wool, Service, M-1939*, 7 Feb 40.
- USA 8-51A *Overcoat, Woolen, Roll Collar*, 21 Dec 37.
- USA 8-60A *Gloves, Woolen, Olive Drab*, 25 Mar 37.
- USA 8-83B *Trousers, Enlisted Men's, Service, Olive Drab*, 9 Nov 37.
- USA 8-108 *Shirt, Worsted, OD*, 2 Aug 37.
- USA 8-111A *Blanket, Wool, Olive Drab, M-1934*, 23 Aug 40.
- USA 8-114A *Caps, Field*, 19 Feb 41.
- USA 8-119 *Neckties, Black, Wool, M-1940*, 31 Jan 41.
- USA 9-6F *Shoes, Service, Types 1 and 2*, 19 Nov 41.
- USA 10-2056A *Packet, First Aid, Carlisle Model*, 14 May 28.
- USA 17-48 *Holder, Card, for Iron Bunks*, 1 Apr 20.
- USA 20-104A *Raincoats, Rubberized, M-1938*, 16 Jan 40.
- USA 22-194 *Razors, Safety and Blades, Safety Razor*, 28 Dec 40.
- USA 23-79C *Lockers, Trunk*, 17 Dec 38.
- USA 23-100A *Chair, Barrack*, 23 Feb 38.
- USA 28-15 *Knife, Fork and Spoon, M-1926*, 23 Mar 34.
- USA 28-16 *Canteen and Cup, M-1910*, 23 Mar 34.
- USA 28-19 *Pots, Stock, Aluminum*, 23 Dec 37.
- USA 28-25 *Table, Mess*, 15 Oct 37.
- USA 28-25A *Table, Mess*, 14 Mar 42.
- USA 28-46A *Graters, Large, Small, and Nutmeg*, 9 Nov 45.
- USA 28-53 *Dippers, Tin*, 3 Jun 39.
- USA 28-98 *Sieve, Flour, 16-inch*, 31 Aug 39.
- USA 29-9 *Holder, Card, for Iron Bunks*, 1 Feb 26.
- USA 29-71B *Meat Can, M-1932*, 12 Nov 37.
- USA 32-1 *Locker, Wall, Metal*, 9 Jul 23.
- USA 32-2A *Bedstead, Single, M-1938*, 31 Jan 41.
- USA 32-7A *Cot, Folding, Steel*, 26 Jan 39.
- USA 34-3A *Insignia Cap and Collar for EM*, 16 May 38.
- USA 52-1-5B *Slings, Gun*, 23 Jun 39.
- USA 52-4-1 *Bayonet, M-1905*, 4 Oct 38.
- USA 52-16-1B *Helmet, M-1917A1 Body Assembly for*, 6 Nov 39.

- USA 52-16-2A *Helmet Headpad and Frame Assembly for Helmet, M-1917A1*, 28 Jul 37.
- QM File 2863 *Pan, Dish, 21-quart, Retinned*, 6 Apr 38.
- QM File 2910 *Utensils, Cooking (Fork, Spoon, Ladle, Turner and Skimmer)*, 15 May 40.
- QM File 2943 *Pitcher, Syrup, M-1940*, 18 Feb 41.
- OQMG 21 *Comb, Plastic*, 29 Oct 41.
- QMC *Comforters, Cotton-Filled*, 29 Apr 40
- QMC *Tag, Identification*, 8 Oct 40.
- FM 107 *Lockers, Wood Box*, 13 Jan 41.
- JCQD 7 *Razor, Safety, Plastic and Case, Razor, Plastic*, 5 Aug 42.
- JQD 19 *Belts, Web, Waist*, 19 Sep 41.
- JQD 43 *Cutlery: Gallery and Kitchen*, 4 Dec 41.
- JQD 55 *Tent, Shelter, Half*, 15 Jan 42.
- JQD 55A *Tent, Shelter, Half*, 12 Feb 42.
- JQD 55B *Tent, Shelter, Half*, 30 Mar 42.
- JQD 89 *Pole, Folding and Pin for Shelter Tent*, 11 Mar 42.
- JQD 127 *Measures, Lipped*, 20 May 42.
- JQD 139 *Pouch, First-Aid Packet, M-1910*, 2 Jun 42.
- JQD 199 *Spatula, Wood, 37-inch*, 28 Aug 42.
- JQD 201 *Masher, Potato, Wood*, 4 Sep 42.
- JQD 212 *Leggings, Canvas, Dismounted, M-1938*, 12 Oct 42.
- JQD 222 *Scraper, Dough, 6-inch*, 15 Mar 43.
- PQD 20 *Jackets, Field*, 24 Jan 41.
- PQD 20A *Jackets, Field*, 6 May 41.
- PQD 71A *Raincoats, Synthetic Resin Coated, OD*, 16 Feb 42.
- PQD 73 *Undershirts, 25 and 50% Wool*, 17 Jun 41.
- PQD 74 *Drawers, 25 and 50% Wool*, 18 Jun 41.
- PQD 96 *Shirts, M-1941*, 29 Sep 41.
- PQD 142 *Bag, Barrack, OD*, 27 Feb 42.
- PQD 170 *Gloves, Wool, Cut and Sewn (Leather Palm)*, 20 Apr 42.
- PQD 189A *Insignia, Cap and Collar (EM)*, 10 Jul 42.
- PQD 197 *Coat, Wool, Serge, M-1942*, 10 Jul 42.
- PQD 278 *Handkerchiefs, Cotton*, 28 Sep 42.
- PQD 329A *Towels, Bath*, 10 May 43.
- PQD 402 *Towels, Face*, 1 Nov 43.
- MIL-H-1404 *HOLDERS, Card, Bedstead (Metal)*, 22 Sep 49.
- MIL-T-10798B *Trunk, Locker, Foot, Barracks*, 19 Mar 58.

Published Books

Baker, George, SGT. *The Sad Sack*. New York: Simon and Schuster, 1944.

Brophy, Leo P., Wyndham D. Miles, and Rexmond C. Cochrane. *The Chemical Warfare Service: From Laboratory to Field*. Center of Military History. Washington: GPO, 1959.

Brown, William. *The Army Called It Home*. Gettysburg, PA: Thomas Publications, 1992.

Elting, Mary, and Robert T. Weaver. *Soldiers, Sailors, Fliers and Marines*. Garden City, NY: Doubleday Doran and Company, 1943.

Gaige, Richard T., CPL. *Me and the Army*. New York: American Artists Group, Inc., 1943.

Havard, Valery, MD. *Manual of Military Hygiene for the Military Services of the United States*. New York: William Wood and Company, 1909.

Mayes, Don. *Ft. Leonard Wood, Missouri*. Springfield, MO: Holland Litho.

McKenney, Janice E. *Air Defense Artillery*. Washington: GPO, 1985.

Medical Supply in World War II. OTSG, Washington: GPO, 1968.

Military Medical Manual. Harrisburg, PA: The Military Service Publishing Company, Revised Apr 43.

The Officers' Guide. Harrisburg, PA: The Military Service Publishing Company, 1941.

Ratliff, Thomas A., COL, AUS (Ret). *Cavalryman: the Army Viewed from the South End of a Pitchfork Pointed North*. Baltimore: Gateway Press, Inc., 1993.

The ROTC Manual: Coast Artillery Basic. Harrisburg, PA: The Military Service Publishing Co., 1934.

Smith, Chad Powers. *He's in the Artillery Now*. New York: Robert M. McBride and Company, 1943.

Taylor, Herbert C. *Private Doakes and Me*. Dallas, TX: Taylor Engraving Corporation, 1942.

Virtue, C.M., LTC. *Company Administration and Personnel Records*. Harrisburg, PA: Military Service Publishing Co., Jul 42.

Wasch, Diane Shaw, et al. *World War II and the U.S. Army Mobilization Program: A History of 700 and 800 Series Cantonment Construction*. Washington: Department of Defense and U.S. Department of the Interior, n.d.

Unpublished Books

Historical and Pictorial Review of the Defenses of San Francisco. n.p., ca.1941.

Quartermaster Research and Development History. u.p.

Published Articles

"Alternating Shoes." *Yank: The Army Weekly*. British Edition, 11 Feb 45.

Brinckloe, William Draper, MAJ QMC. "When Fire-Call Sounds." *The Quartermaster Review*, May-June 26, pp 20-22.

"Bulletin Boards." *Infantry Journal*, Dec 41, p 35.

"Cartridge Belts, Dismounted," *Infantry Journal*, XXXVI, 3 (Mar 30), pp 296-97.

Clements, D.T., MAJ QMC. "Glass Dinnerware; The Kind That Can Take It." *The Quartermaster Review*, Sep-Oct 43, pp 32-33.

Clements, D.T., CPT QMC. "Mobilization of the Pot and Pan." *The Quartermaster Review*, Nov-Dec 41, pp 22-23.

"He's in the Army Now!" *The Quartermaster Review*, Jan-Feb 41.

McCarthy, T.F., CPT. "Sanitation and Messes." *Infantry Journal*, Jun 30, pp 593–600.

"The New Gas Mask." *The Quartermaster Review*, May-Jun 23, pp 17–18.

Nydegger, Melvin G., 1LT QMC, "Unit Supply," *The Quartermaster Review*, Sep–Oct 42, p 84.

Symons, Arthur, CPT CAC. "With the Other Arms and Services: V-Coast Artillery," *Field Artillery Journal*, Oct 41, pp 783–87.

Waitt, Alden H., CPT CWS, "Gas Masks," *Army Ordnance*, XIV, 81 (Nov–Dec 33), pp 150–55.

Interviews

Blaise, Joseph R. Barracks Life in the Old Army. Nov 82.

Peeples, Edward. Golden Gate National Recreation Area. May 89.

**TAKIN' OFF ON PASS
EH, SOLDIER?**



NOBODY KNOWS BUT YOURSELF
JUST WHAT YOU'VE PLANNED
FOR DOING THE TOWN RIGHT...

BUT FOR YOUR SAKE
and THE ARMY'S
DON'T SNAFU—
PLAY SAFE!!

... AND JUST A REMINDER, BUB
SEE YOUR BATTERY CHARGE OF QUARTERS
for "DOUGHBOY" PRO-KITS
and CONDOMS
— NO CHARGE, FELLA!!

PROPHYLAXIS STATIONS in TOWN

CENTRAL EMERGENCY HOSPITAL 135 POLK STR.
HARBOR EMERGENCY HOSPITAL 88 SACRAMENTO STR.
ARMY MEDICAL STATION 143 EDDY STR.

OPEN DAY AND NIGHT

Prophylaxis MUST BE TAKEN PROMPTLY !!
DON'T DELAY

Figure 115: "Takin' Off On Pass Eh Soldier?" poster, 1941-2. Courtesy Golden Gate National Recreation Area.

National Park Service
U.S. Department of the Interior



Media Services
Harpers Ferry Center
67 Mather Place
Harpers Ferry, West Virginia 25425-0050