

DETAIL "A"

157 - #6-32 x 3/8 slotted binder head screw

180 - Lockwasher, #8 internal, 9/32 O.D., spring steel, black nickel finish

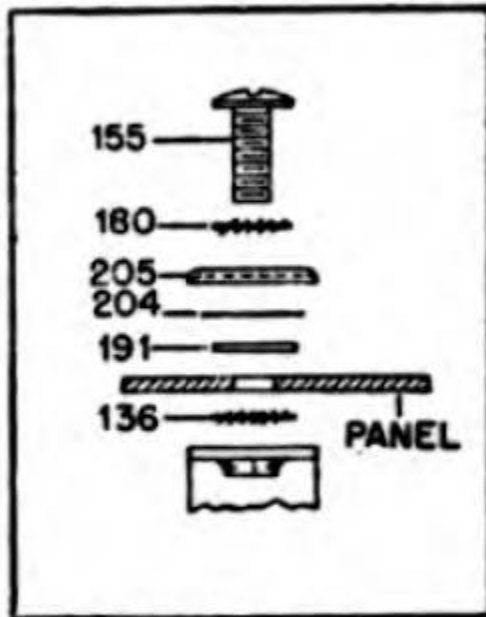
205 - Cupwasher, 7/16" O.D x .144" I.D, brass, black nickel

204 - washer, .365" O.D. x .144" ID, brass, black nickel

191 - washer, waterseal, 5/16" O.D. x 1/8" I.D. x 1/32 thk. rubber

136 - pg is missing, presumed lockwasher, #6 internal tooth, zinc

144 - #6 hex (small pattern, 1/4" across flats)



DETAIL "B"

155 - #6-32 x 5/16" slotted binder head screw

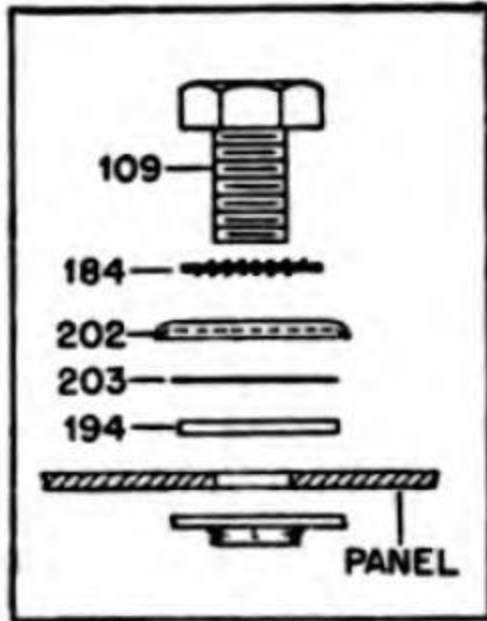
180 - Lockwasher, #8 internal, 9/32 O.D., spring steel, black nickel finish

205 - Cupwasher, 7/16" O.D x .144" I.D, brass, black nickel

204 - washer, .365" O.D. x .144" ID, brass, black nickel

191 - washer, waterseal, 5/16" O.D. x 1/8" I.D. x 1/32 thk. rubber

136 - -- pg is missing, presumed lockwasher, #6 internal tooth, zinc



DETAIL \*D\*

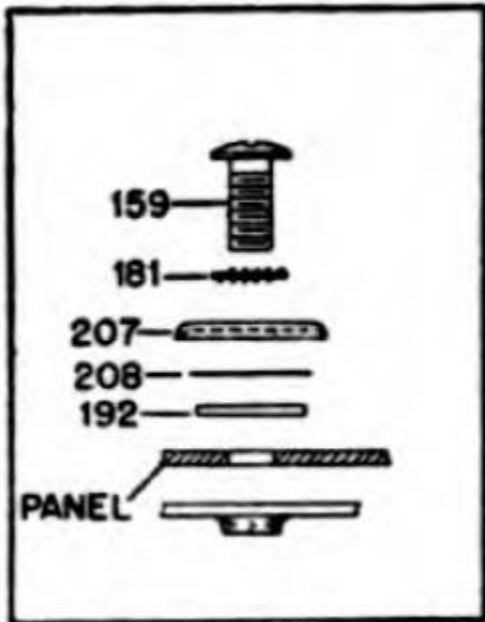
109 – capscrew, 1/4"-20 x 1/2", black

184 – lockwasher, 1/4" I.D., 15/32" O.D., spring steel, black

202 - cup washer, 5/8" O.D., 17/64" I.D., brass, black

203 – washer, 0.552 O.D., 17/64" I.D.

194 – washer, waterseal, 1/2" O.D., 7/32" I.D., 1/32" thk, rubber



DETAIL \*E\* x 2

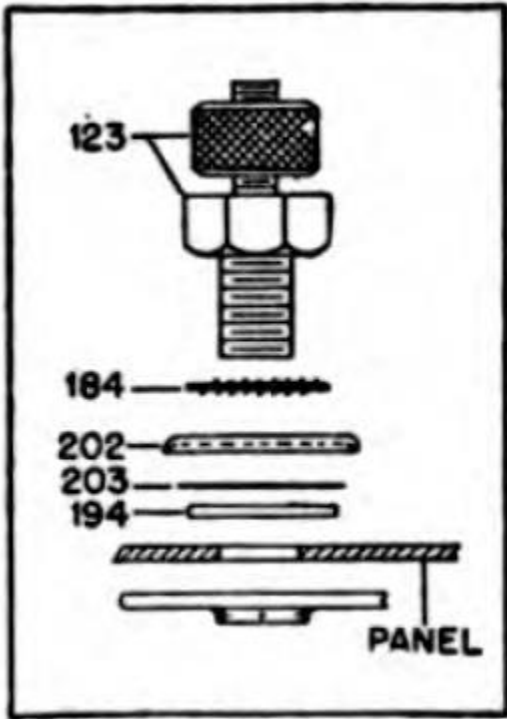
159 - #8-32 x 5/16" slotted binder head screw

181 - Lockwasher, #8 internal, 9/32 O.D., spring steel, black nickel finish

207 - Cupwasher, 1/2" O.D x .144" I.D, brass, black nickel

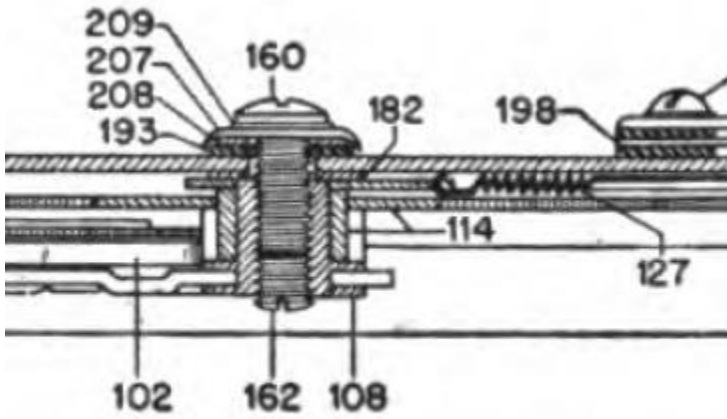
208 – washer, .365" O.D. x .144" ID, brass, black nickel

192 – washer, waterseal, 3/8" O.D. x 5/32" I.D. x 1/32 thk. rubber



DETAIL "F"

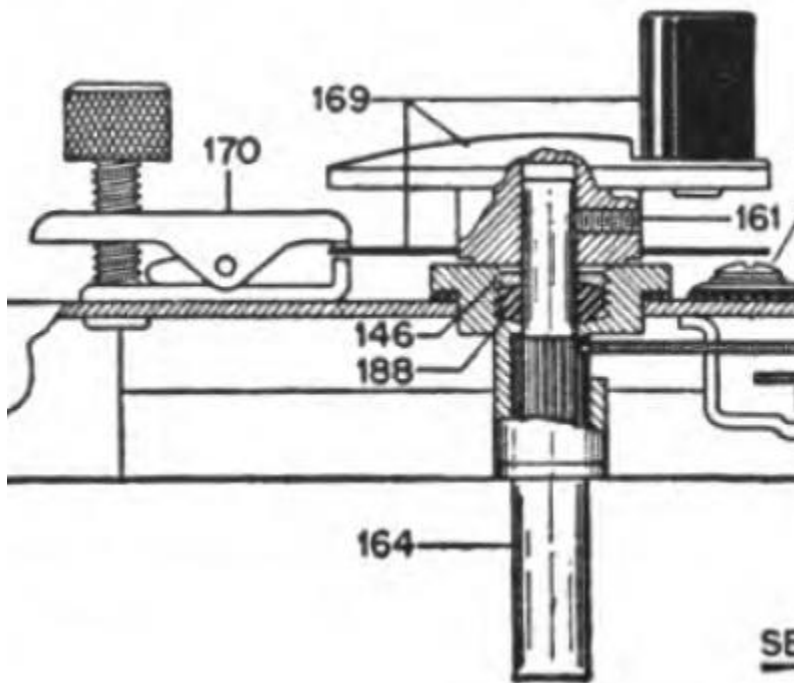
- 123 – grd terminal stud, 1/4"-20, #8-32 x 15/16" long, brass, black
- 184 – lockwasher, 1/4" I.D., 15/32" O.D., spring steel, black
- 202 - cup washer, 5/8" O.D., 17/64" I.D., brass, black
- 203 – washer, 0.552 O.D., 17/64" I.D.
- 194 – washer, waterseal, 1/2" O.D., 7/32" I.D., 1/32" thk, rubber



VIEW OF FRONT PANEL, SHOWING DIAL

- 160 - #10-32 x 3/8" slotted binder head screw
- 182 - washer, 1/2 O.D., 7/32 I.D. x .032 Thk, white cad finish
- 198 - washer, 1/2 O.D., 7/32 I.D. x .032 Thk, white cad finish
- 207 - Cupwasher, 7/16" O.D x .144" I.D, brass, black nickel
- 208 – washer, .365" O.D. x .144" ID, brass, black nickel
- 193 – washer, waterseal, 13/32" O.D. x 3/16" I.D. x 1/32 thk. Rubber
- 127 - .013" diameter music wire with 15-1/2 turns 1/16" diameter spring formed near one end; overall length is 1-3/4". Hooks formed at each end. The long straight end is painted bright red. - Special





- 164 – Shaft, tuning and pinion
- 169 - Spinner knob assembly
- 170 – Spinner lock assembly

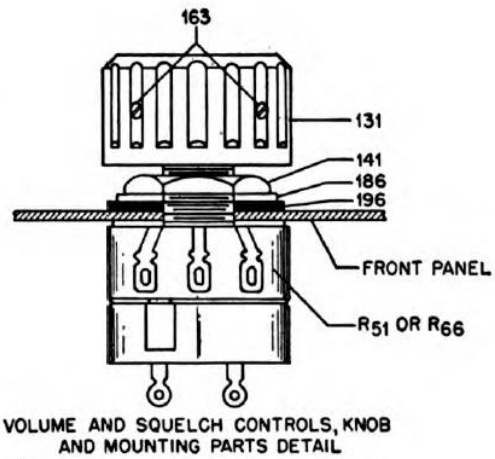
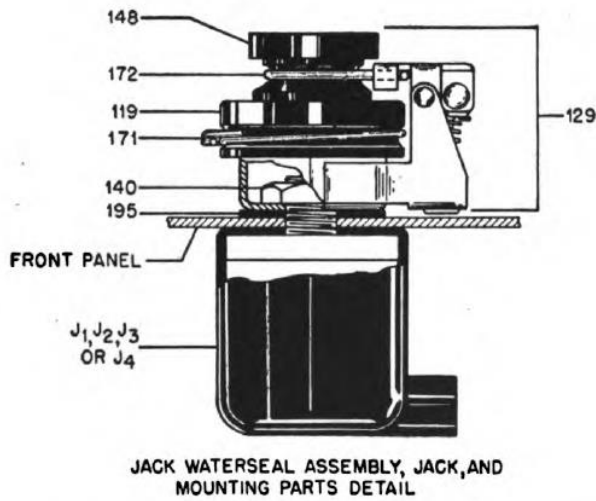


Figure 26. Radio Receiver and Transmitter BC-1000-A, Parts Location Detail, Showing Jack Waterseal Assembly, Volume and Squelch Controls.