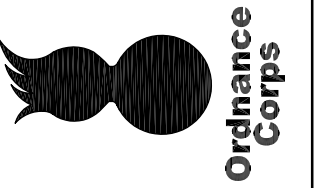
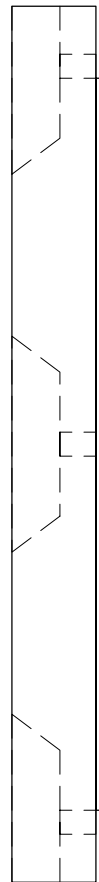


TOP



SERVICE & SUPPLY
Reproduction Items



This drawing is protected by US copyright law, and is NOT to be reproduced without express written permission from Kirk Gustafson. (c) 2003, 2004

Model Symbol(s)

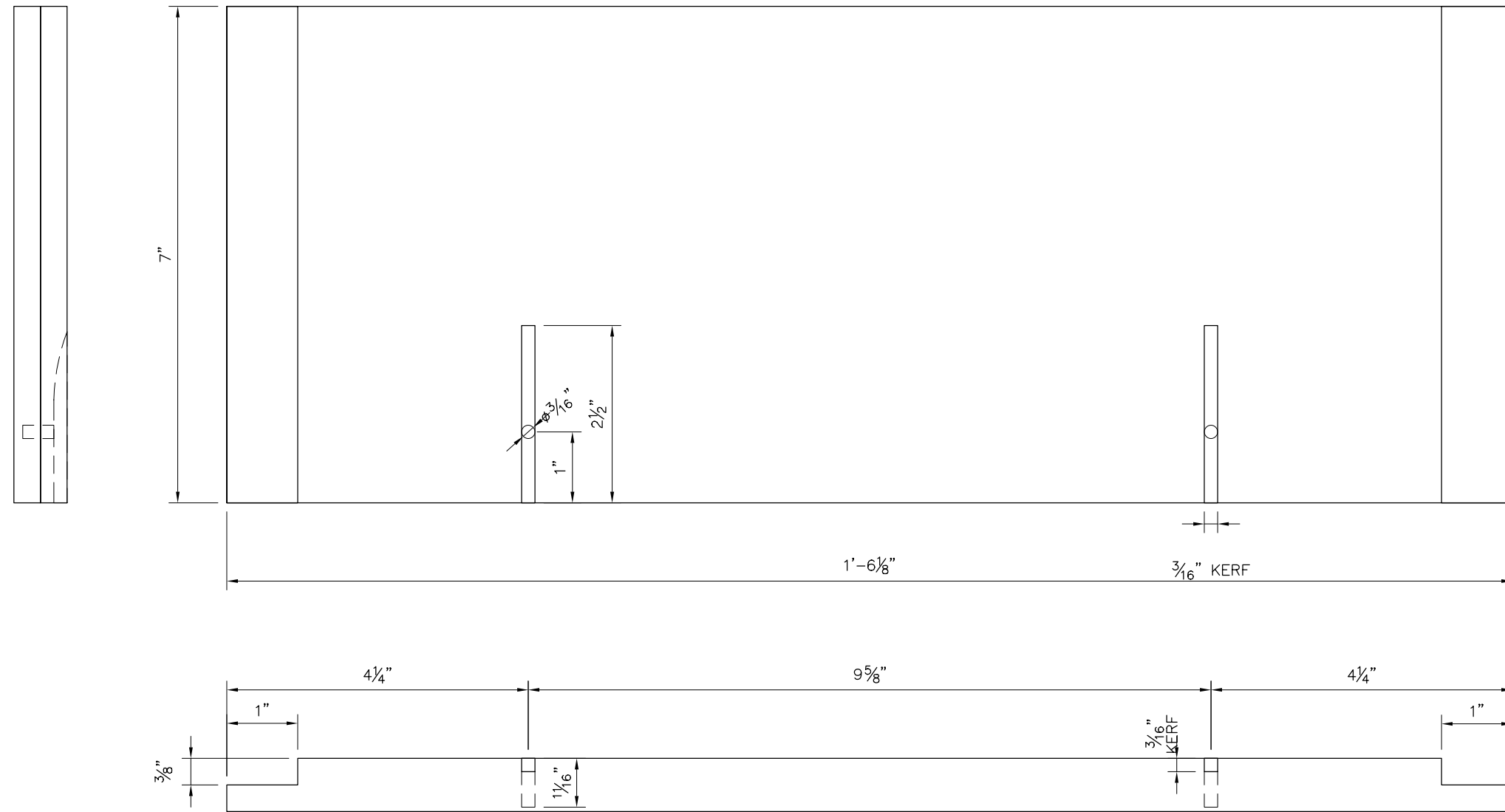
Item Stock Number(s)

Ordnance Part Number(s)

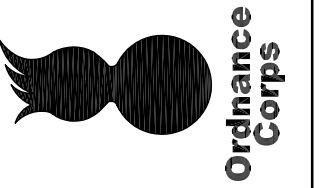
Manufacturer Part Number(s)

Drawing Number

AC1-7



TOP FRONT/BACK PIECE



**SERVICE & SUPPLY
Reproduction Items**



This drawing is protected by US copyright law, and is NOT to be reproduced without express written permission from Kirk Gustafson. (c) 2003, 2004

Model Symbol(s)

Item Stock Number(s)

Ordnance Part Number(s)

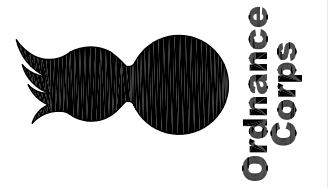
Manufacturer Part Number(s)

Drawing Number

AC2-7



BOTTOM FRONT/BACK PIECE



**SERVICE & SUPPLY
Reproduction Items**



This drawing is protected by US copyright law, and is NOT to be reproduced without express written permission from Kirk Gustafson. (c) 2003, 2004

Model Symbol(s)

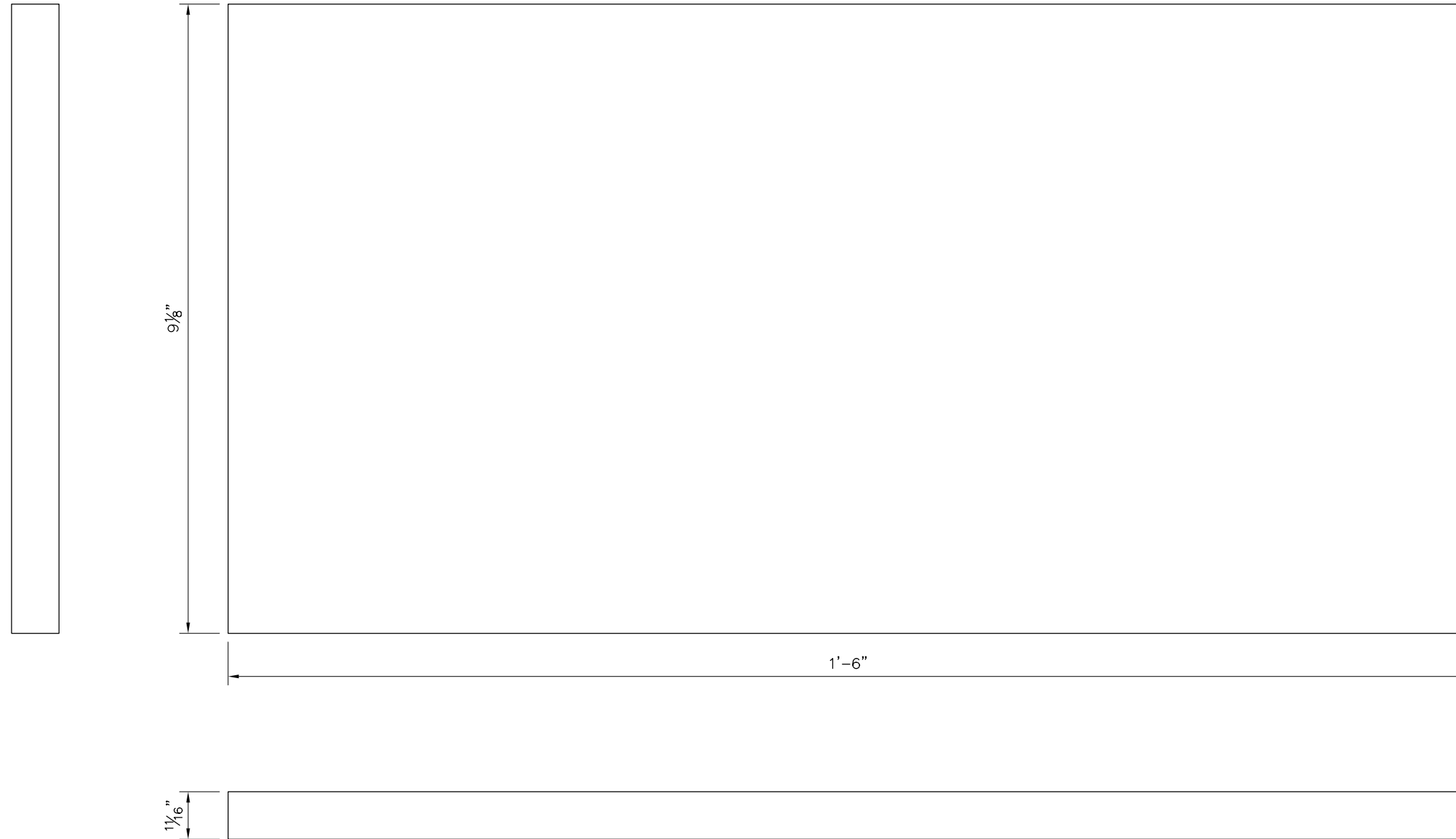
Item Stock Number(s)

Ordnance Part Number(s)

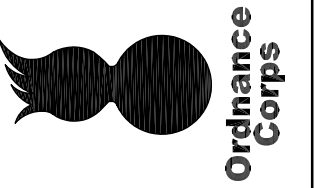
Manufacturer Part Number(s)

Drawing Number

AC3-7



BOTTOM



**SERVICE & SUPPLY
Reproduction Items**



This drawing is protected by US copyright law, and is NOT to be reproduced without express written permission from Kirk Gustafson. (c) 2003, 2004

Model Symbol(s)

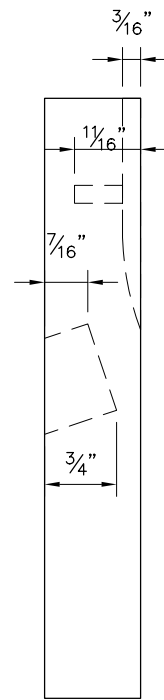
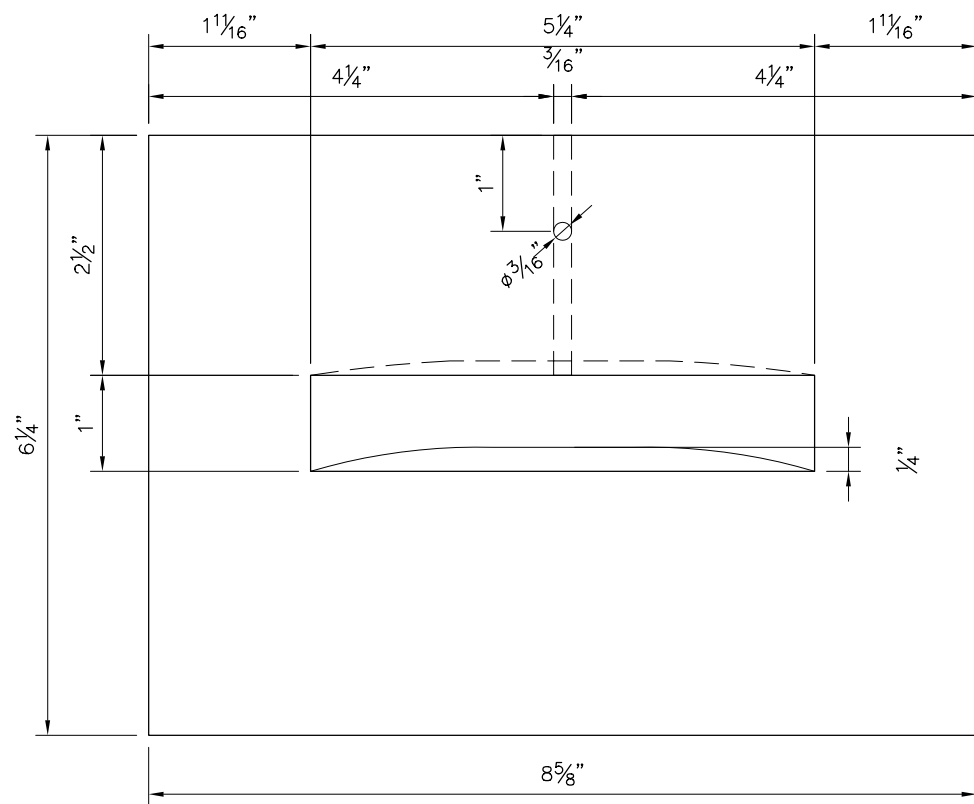
Item Stock Number(s)

Ordnance Part Number(s)

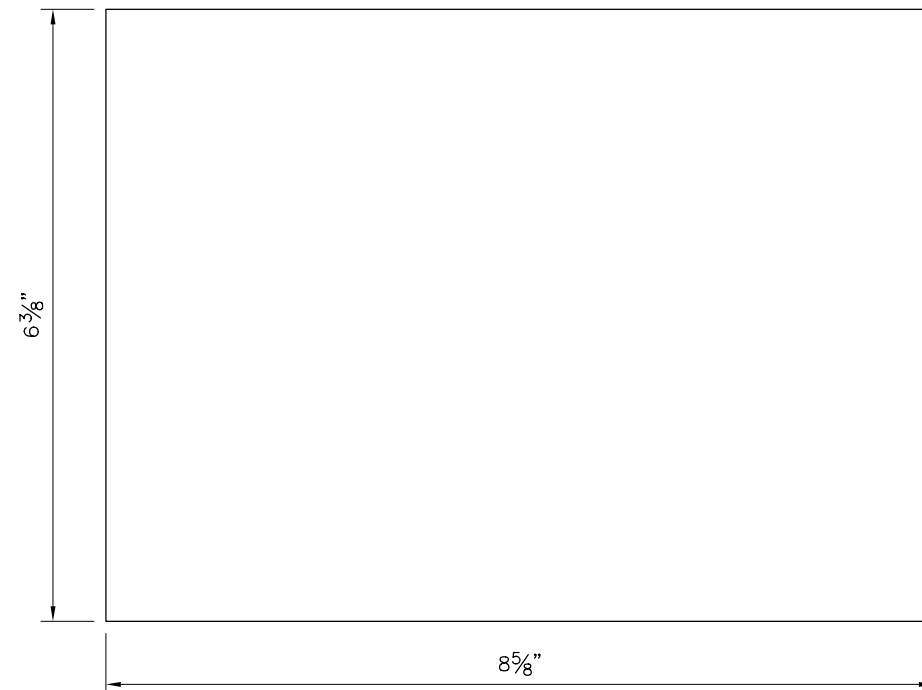
Manufacturer Part Number(s)

Drawing Number

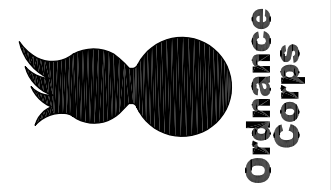
AC4-7



TOP END PIECE - a



BOTTOM END PIECE - b



SERVICE & SUPPLY
Reproduction Items



This drawing is protected by US copyright law, and is NOT to be reproduced without express written permission from Kirk Gustafson. (c) 2003, 2004

Model Symbol(s)

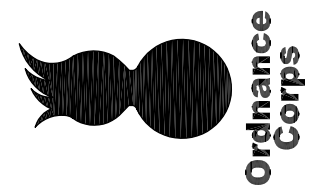
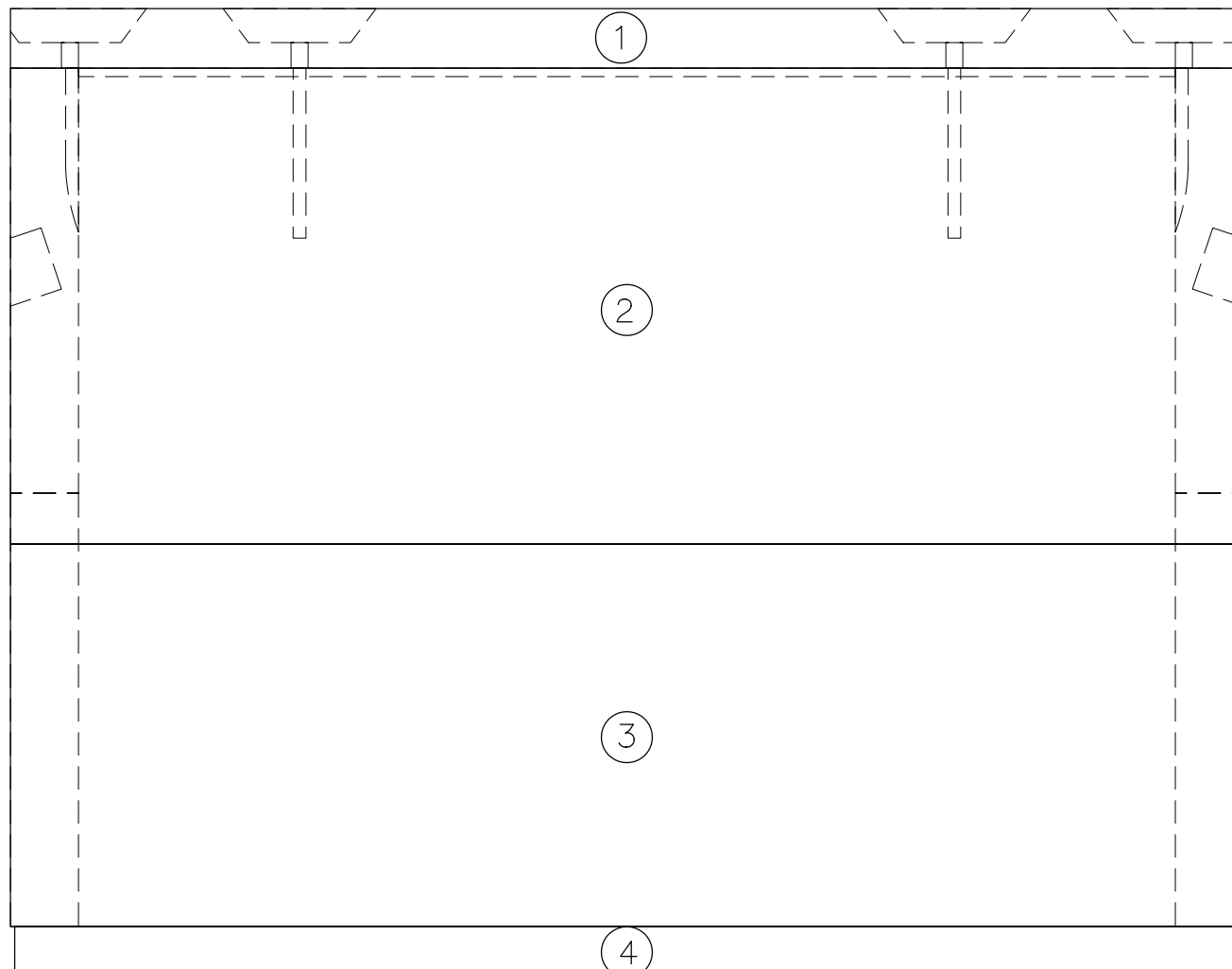
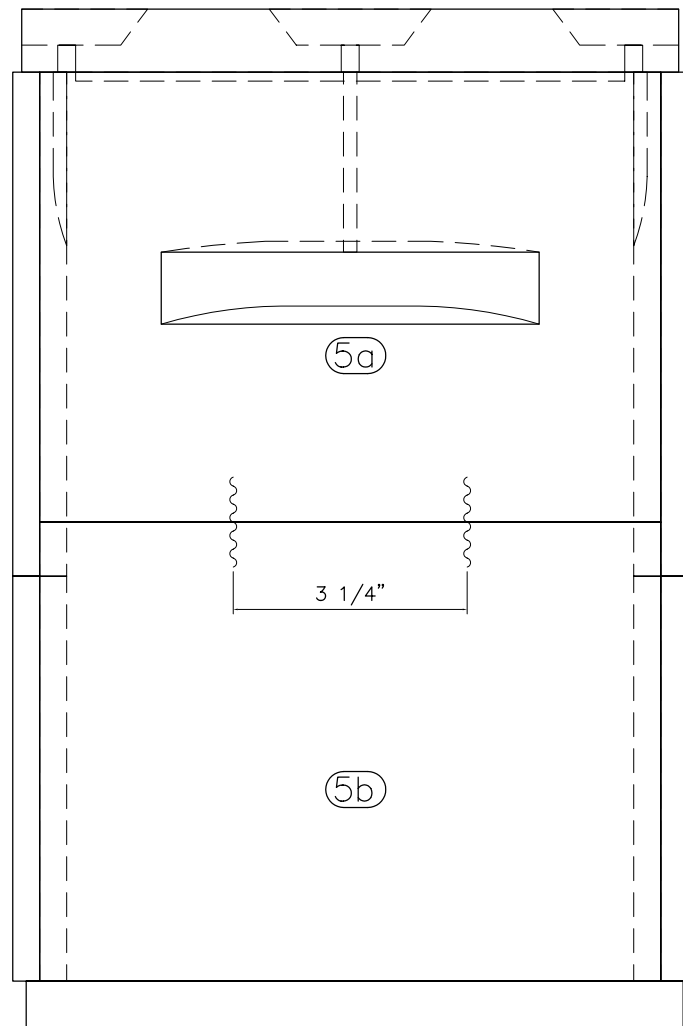
Item Stock Number(s)

Ordnance Part Number(s)

Manufacturer Part Number(s)

Drawing Number

AC5-7



**SERVICE & SUPPLY
Reproduction Items**



This drawing is protected by US copyright law, and is NOT to be reproduced without express written permission from Kirk Gustafson. (c) 2003, 2004

Model Symbol(s)

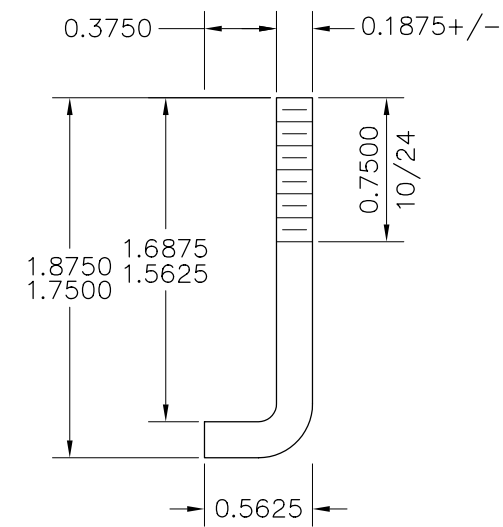
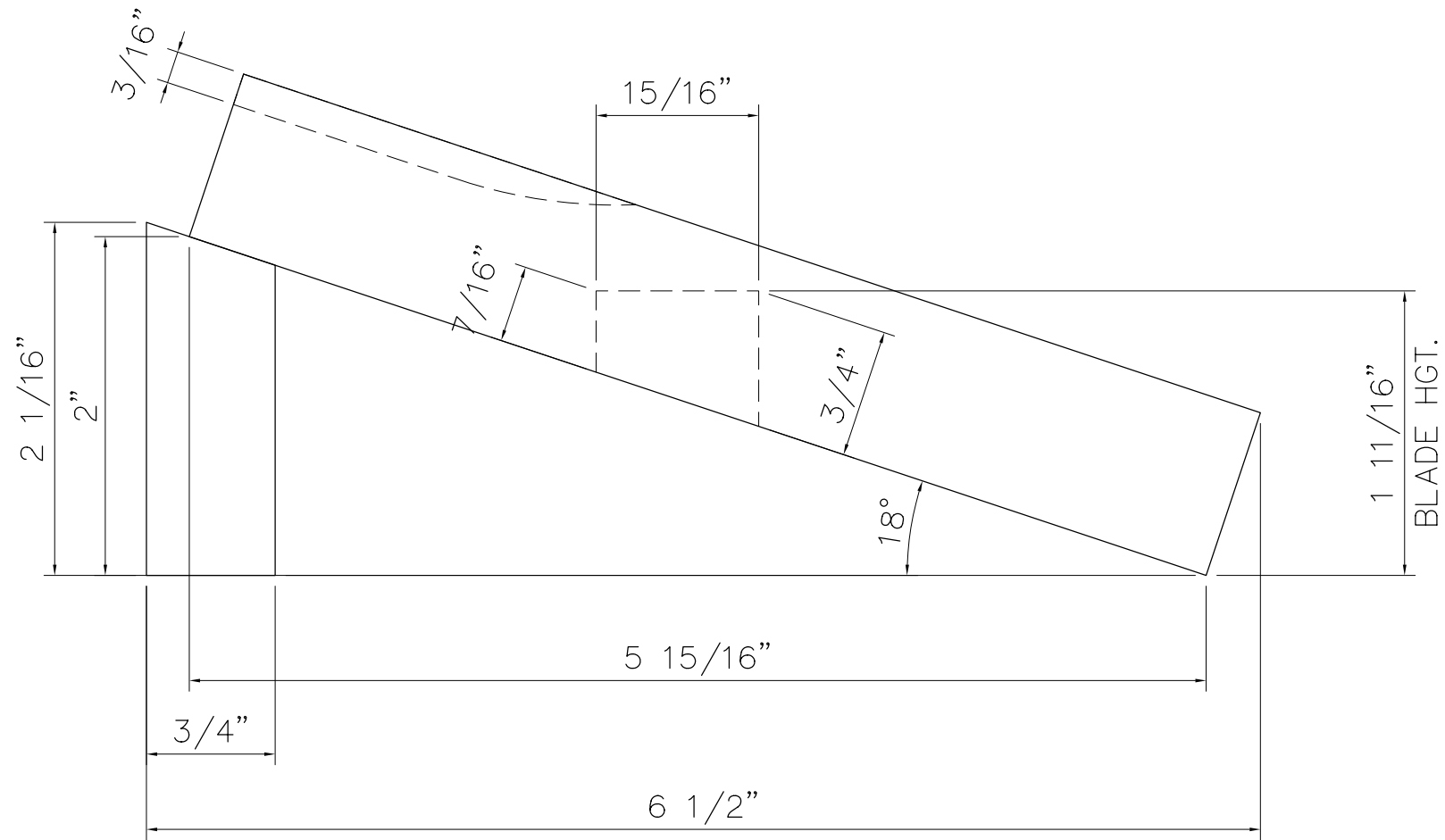
Item Stock Number(s)

Ordnance Part Number(s)

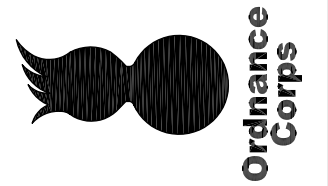
Manufacturer Part Number(s)

Drawing Number

AC6-7



3/16" DIA. HOOK BOLTS
MILD STEEL, THREADED 10/24
6 REQUIRED. ALSO REQUIRED
ARE 6 - #11 WIRE STAPLES
TO HOLD HOOK BOLTS IN
SLOTS AND 6 - STAMPED
STEEL, ZINC PLATED WING
NUTS, ALSO THREADED
10/24



SERVICE & SUPPLY Reproduction Items



This drawing is protected by US copyright law, and is NOT to be reproduced without express written permission from Kirk Gustafson. (c) 2003, 2004

Model Symbol(s)

Item Stock Number(s)

Ordnance Part Number(s)

Manufacturer Part Number(s)

Drawing Number

AC7-7