

1179 8

7

6

5

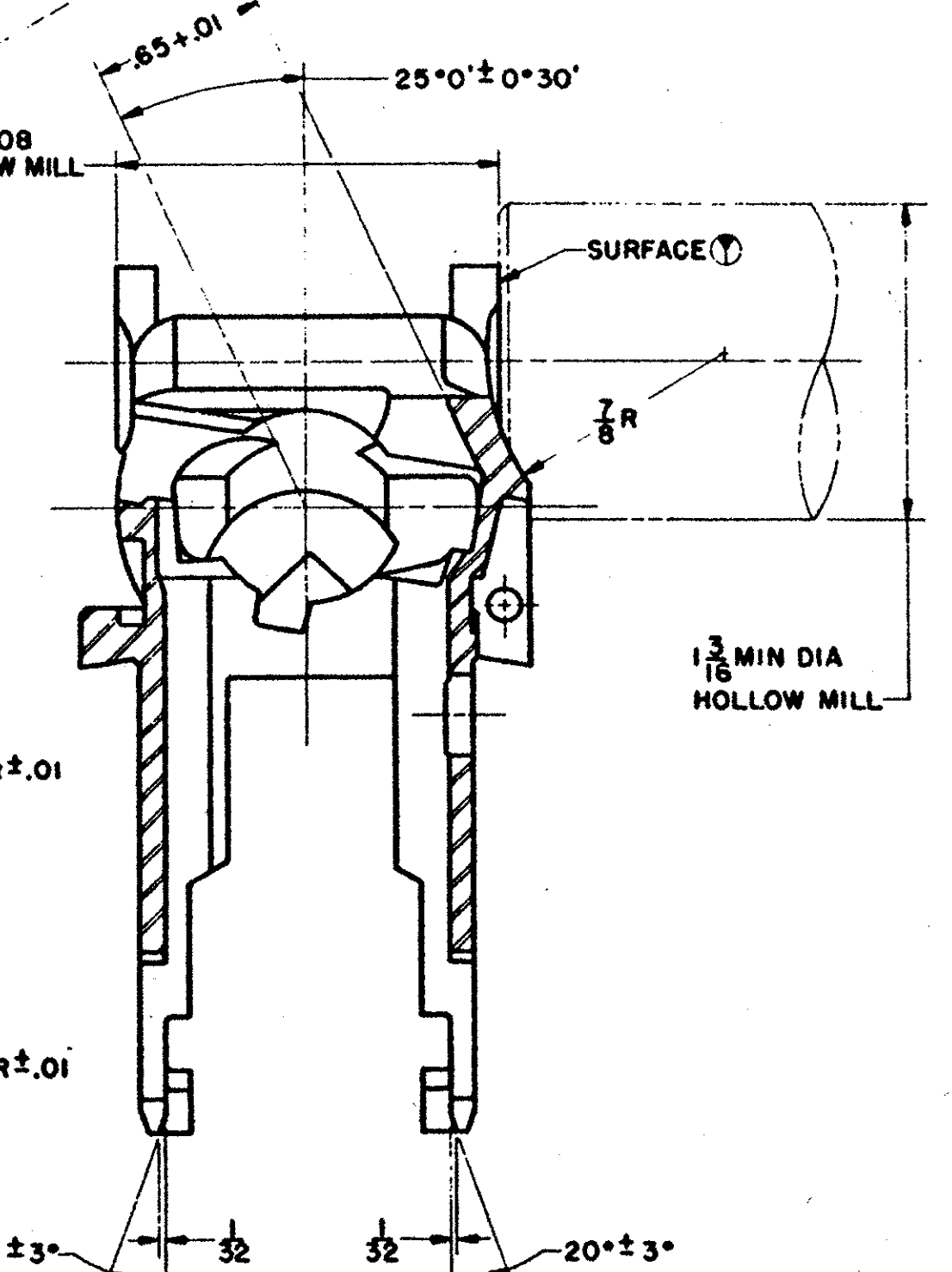
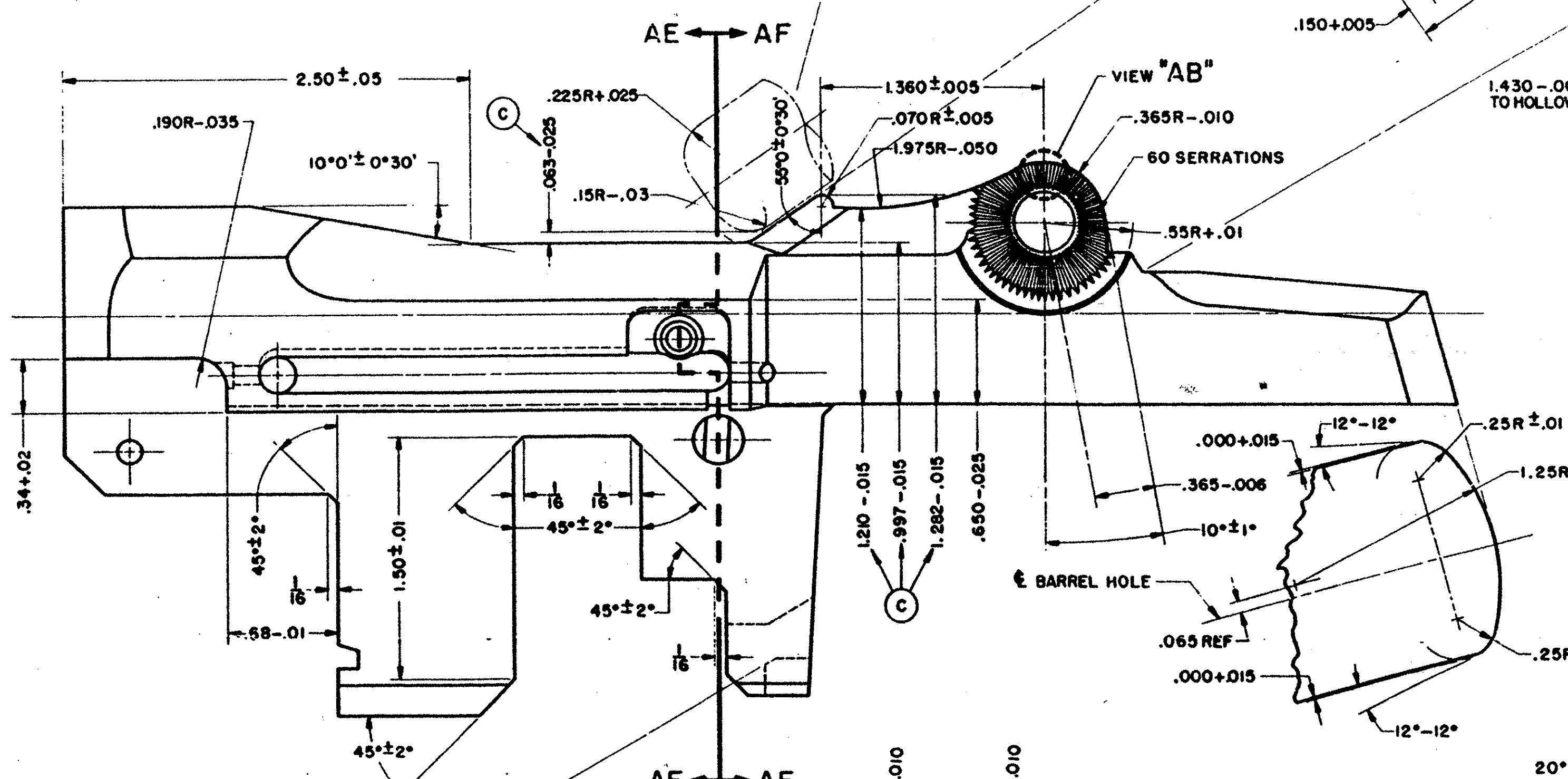
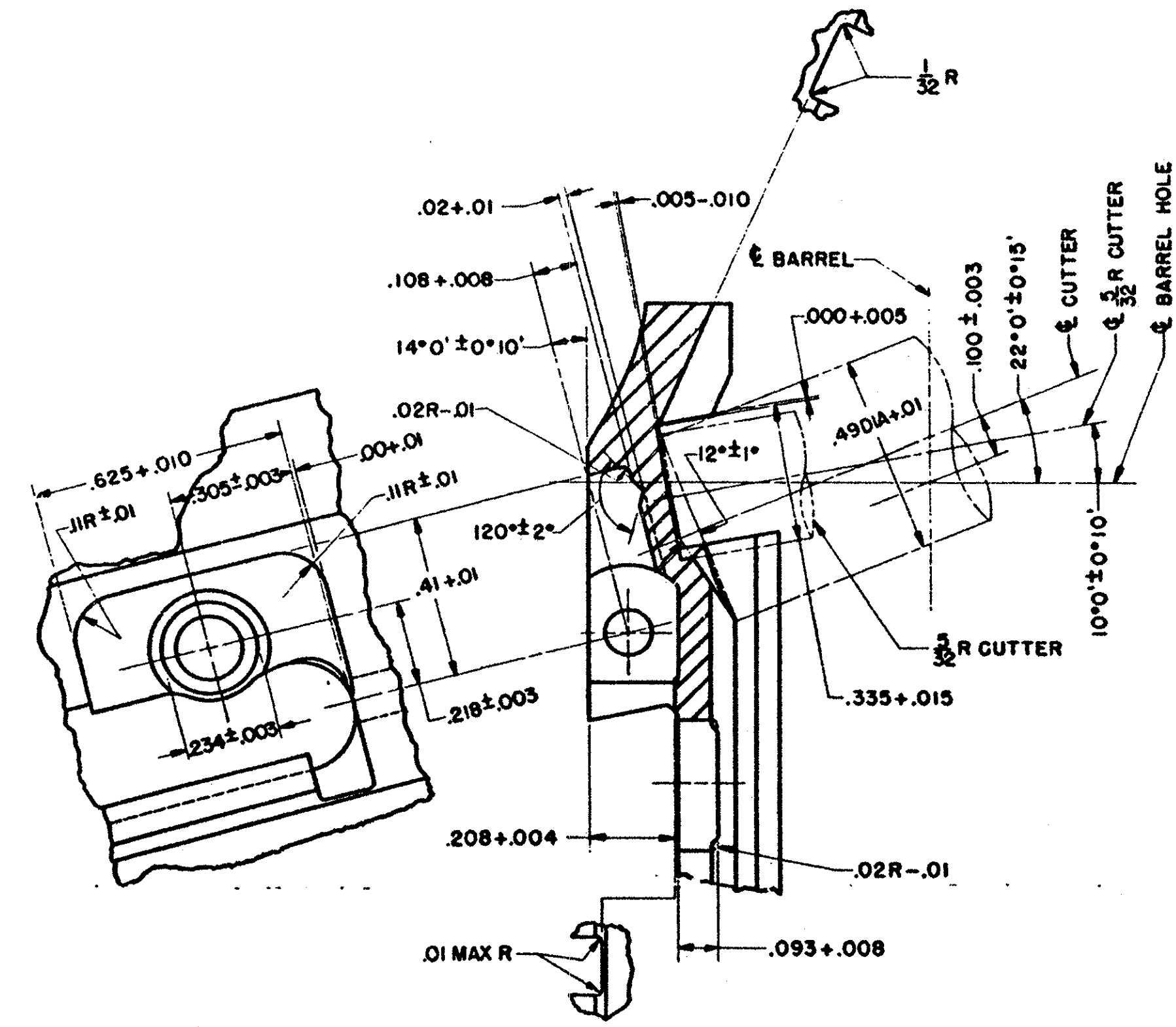
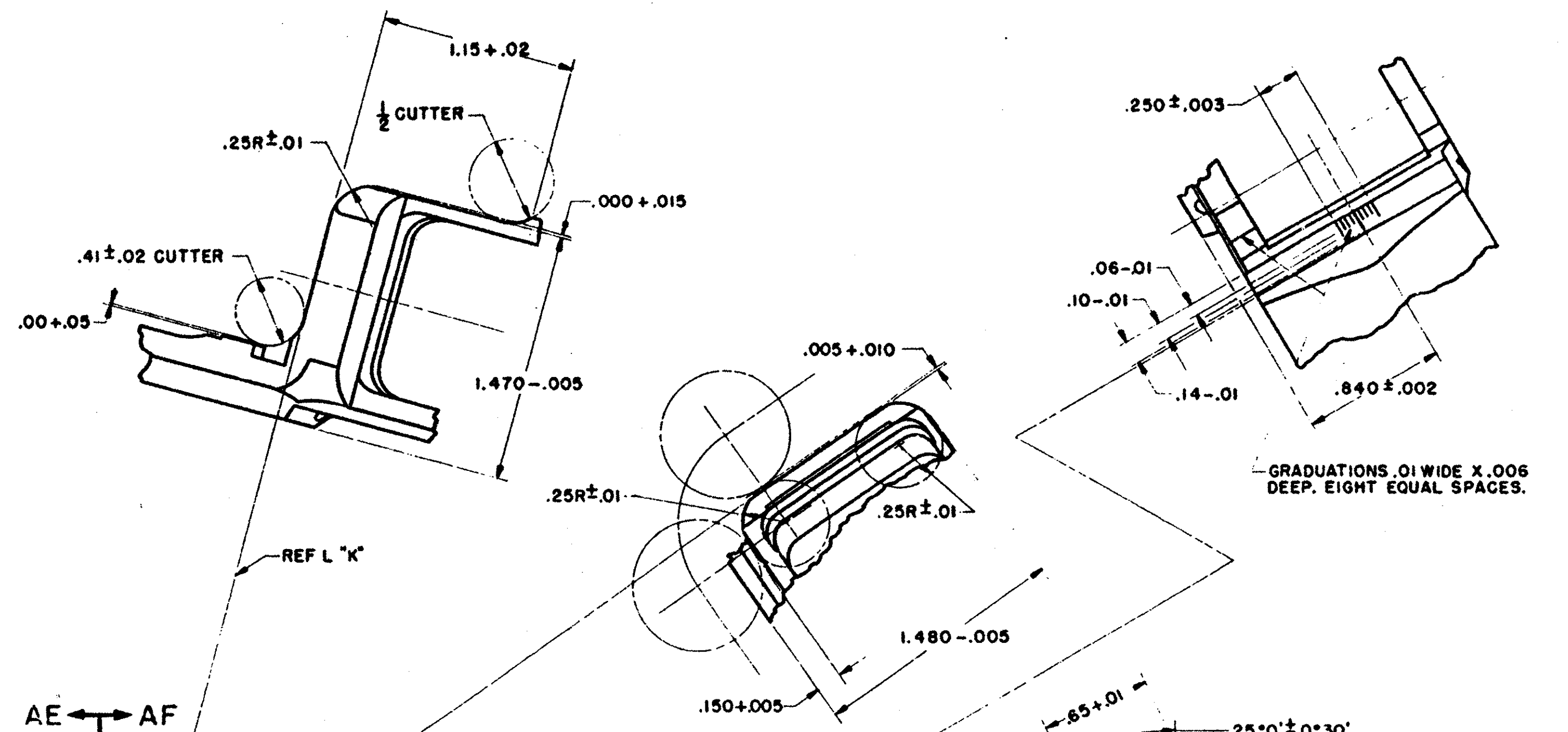
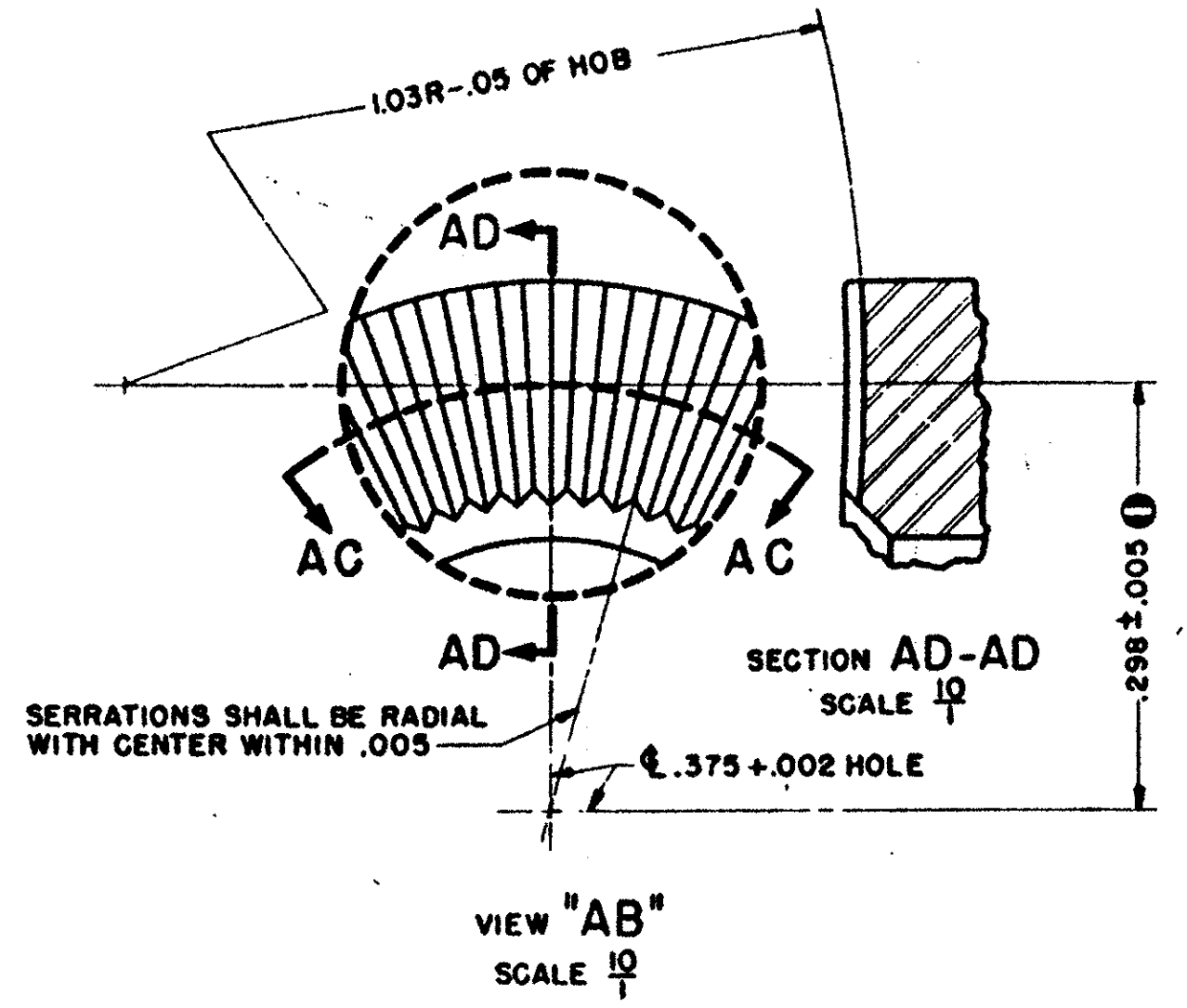
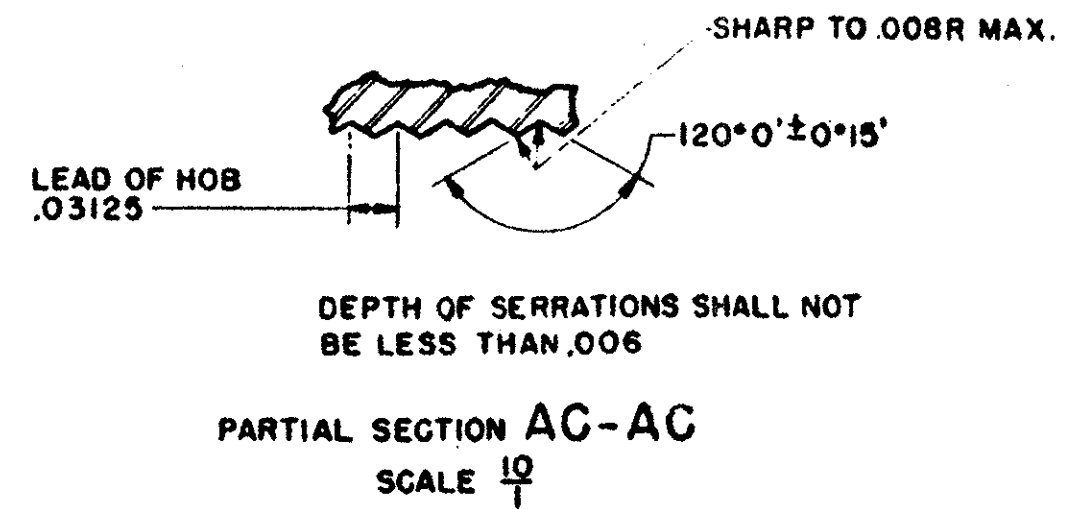
4

3

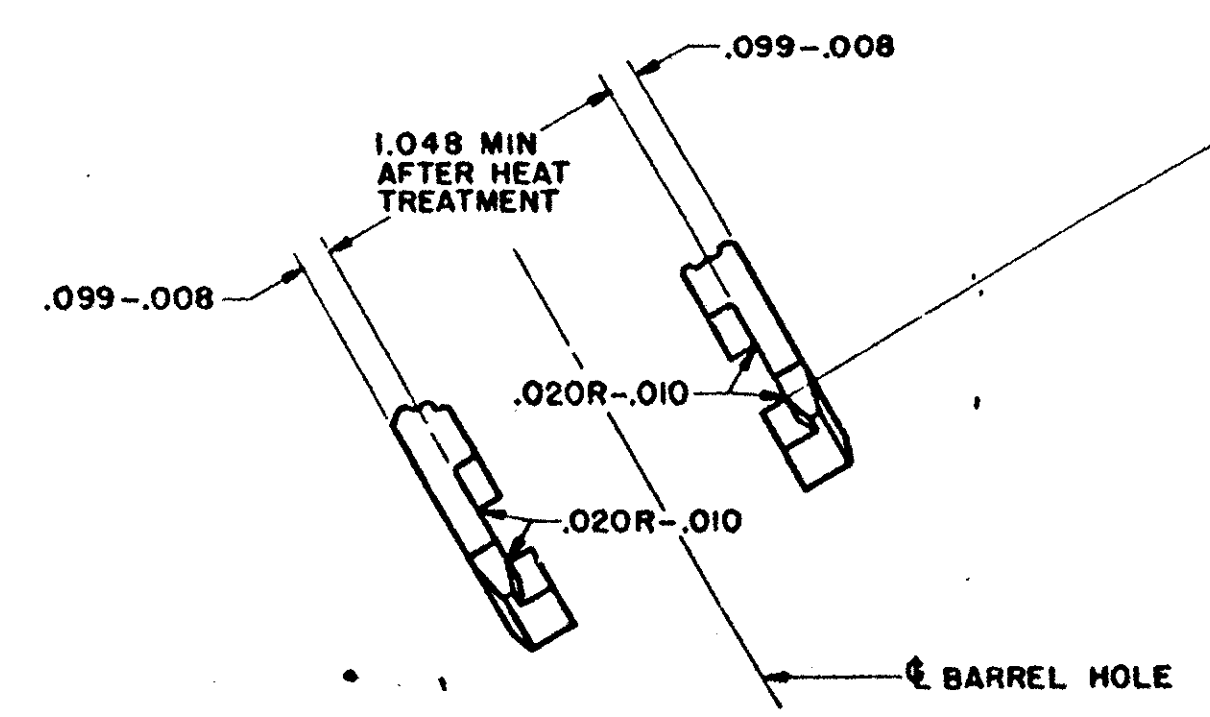
2

1

NOTE: THIS DRAWING SHALL BE USED ONLY FOR THE PURPOSES STATED HEREON. ANY OTHER USE IS PROHIBITED. THE USER SHALL BE RESPONSIBLE FOR OBTAINING ALL NECESSARY INFORMATION CONCERNING THE USE OF THIS DRAWING. THE USER SHALL BE RESPONSIBLE FOR OBTAINING ALL NECESSARY INFORMATION CONCERNING THE USE OF THIS DRAWING. THE USER SHALL BE RESPONSIBLE FOR OBTAINING ALL NECESSARY INFORMATION CONCERNING THE USE OF THIS DRAWING.



PARTIAL SECTION AE-AE SCALE 1/4



DWG D7266081 APPLIES
 DWG C7266184 APPLIES
 DWG B7266102 APPLIES

PART NO. 6528291

REVISIONS		
REV	DESCRIPTION	APPROVAL
E	ECO 23373	28FEB55
D	ECO 22075	24APR55
C	ECO 20891	15MAY55
B	ECO 20413	18MAY55
A	SUPersedes D6628291 W/C '53	

125 ALL OVER EXCEPT AS NOTED.
 REFER TO SHEET 3.
 IDENTICAL DIMENSION ON SHEET 3.

PHYSICAL PROPERTIES		TOLERANCES UNLESS OTHERWISE SPECIFIED ARE IN INCHES FRACTIONS & .01		ORIGINAL DATE AUG 2, 1937	
SY	F7312563	.30R - MID	MATERIAL	ENGINEER	28FEB55
ST	07312604	.30R - MIG	SEE NOTE SHEET I	CHECKED	24APR55
DR	F6533464	.30R - M1	HEAT TREATMENT	DESIGNED	15MAY55
HT			SEE NOTE SHEET I		
AP			FINAL PROTECTIVE FINISH		
DO			SEE NOTE SHEET I		
APPROVED BY CHIEF OF THE SHOP				APPROVED BY CHIEF OF THE SHOP	

SPRINGFIELD ARMOY
 ORDNANCE CORPS
 DEPT OF THE ARMY

RECEIVER

6528291

SCALE 2/1 UNIT WT 1.46
 SHEET 4 OF 4